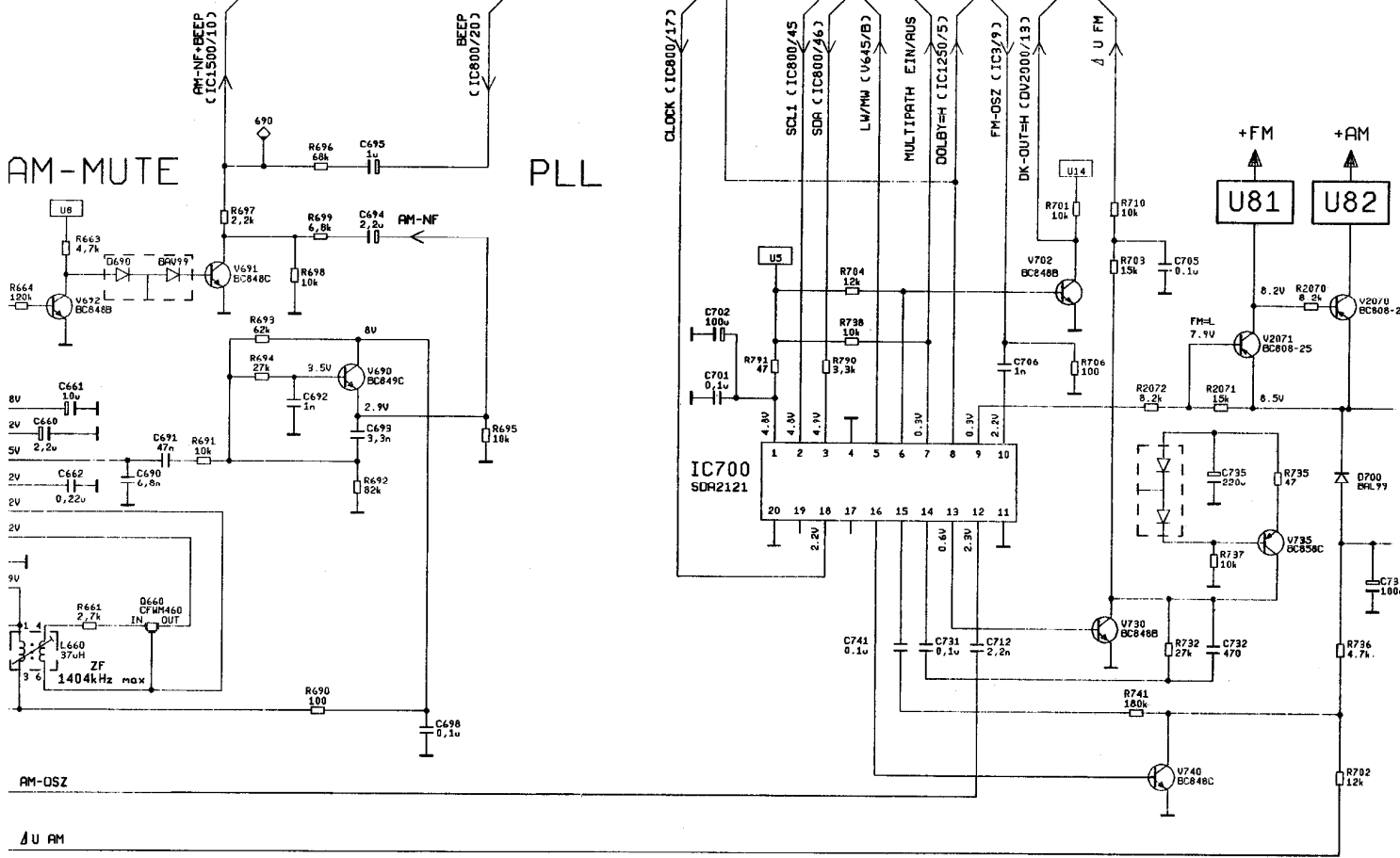
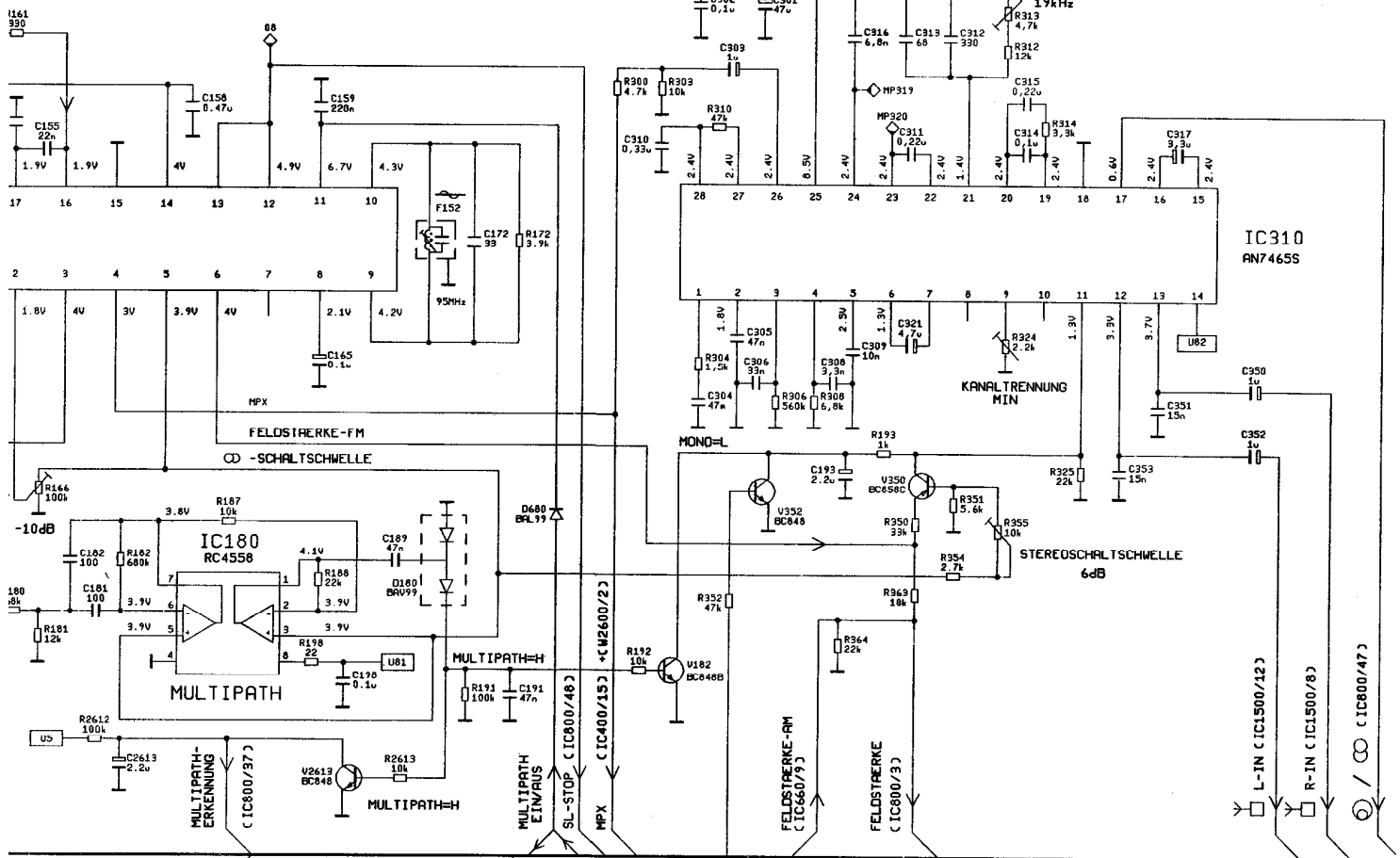
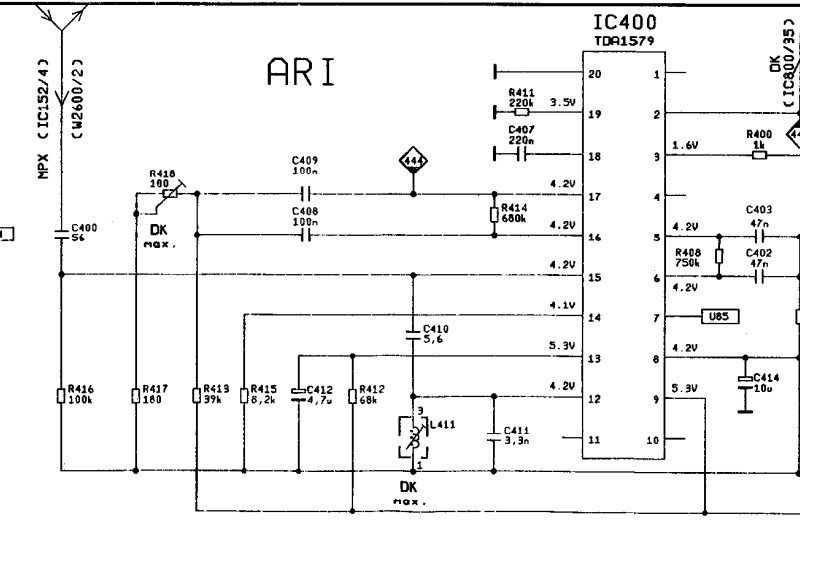
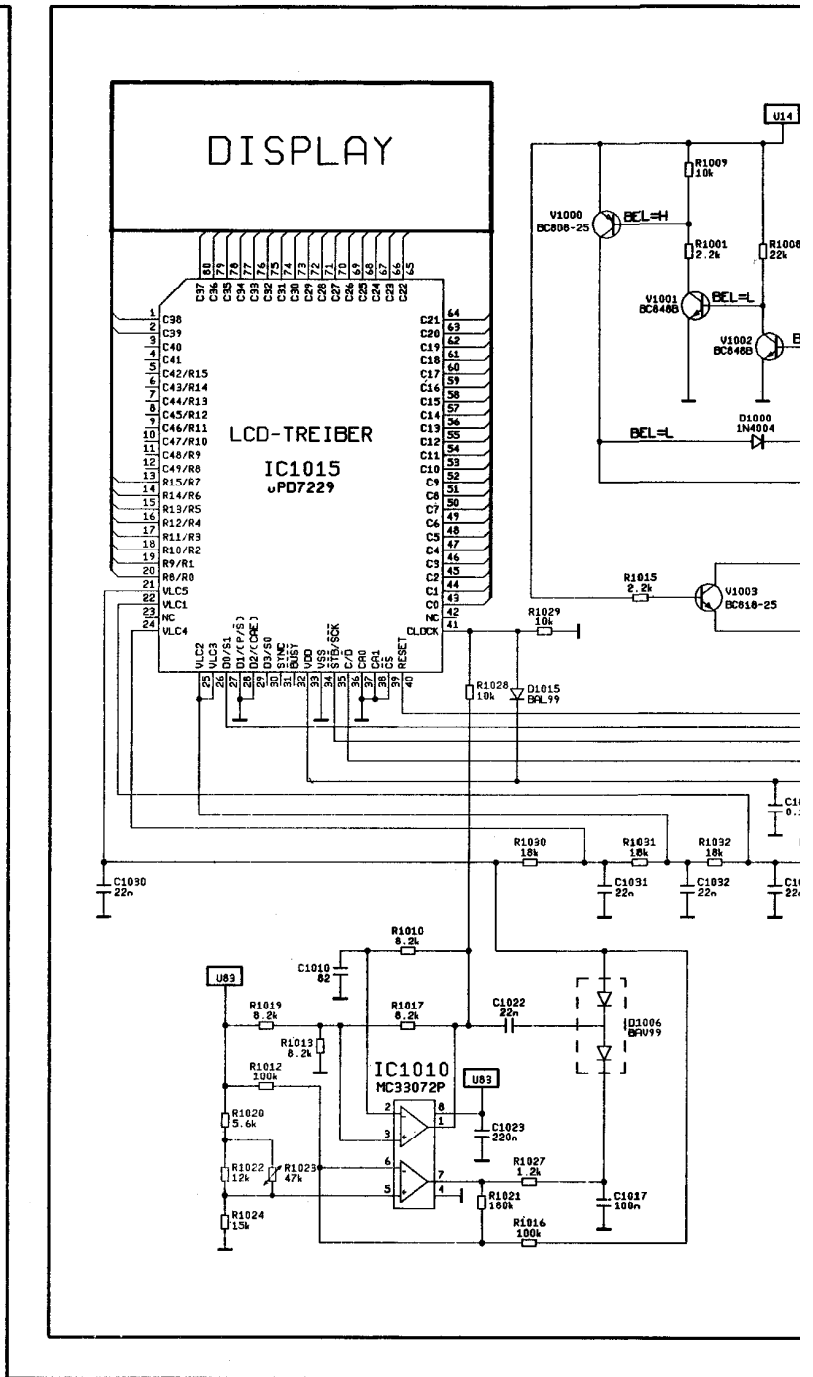
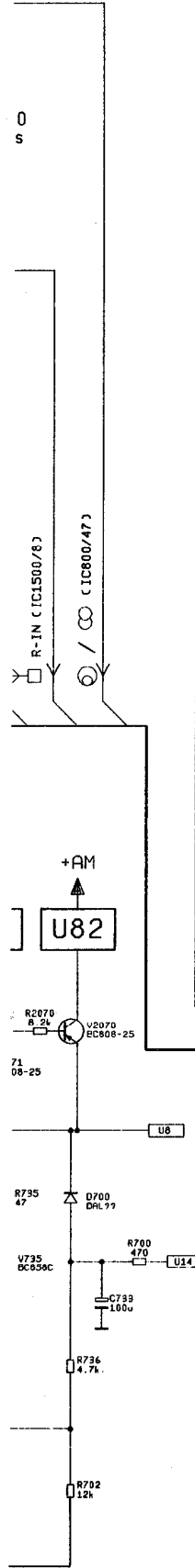
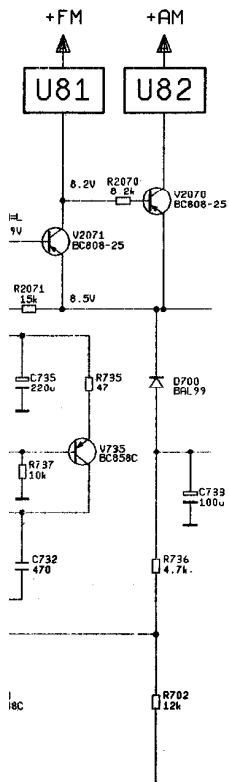
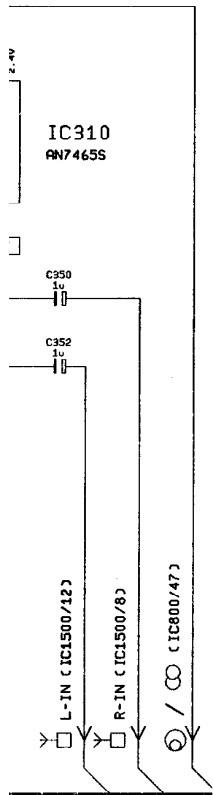


IF/DEM

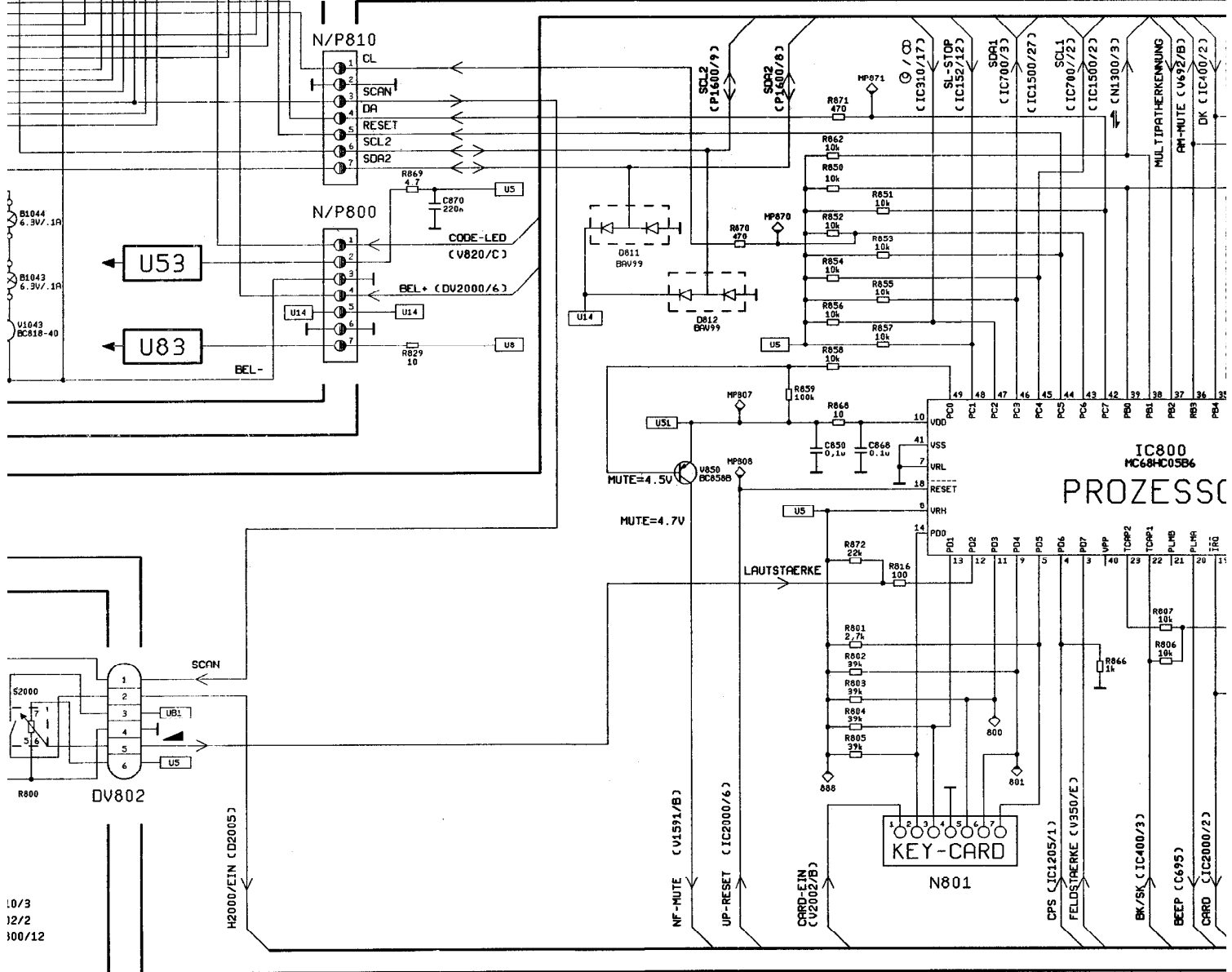
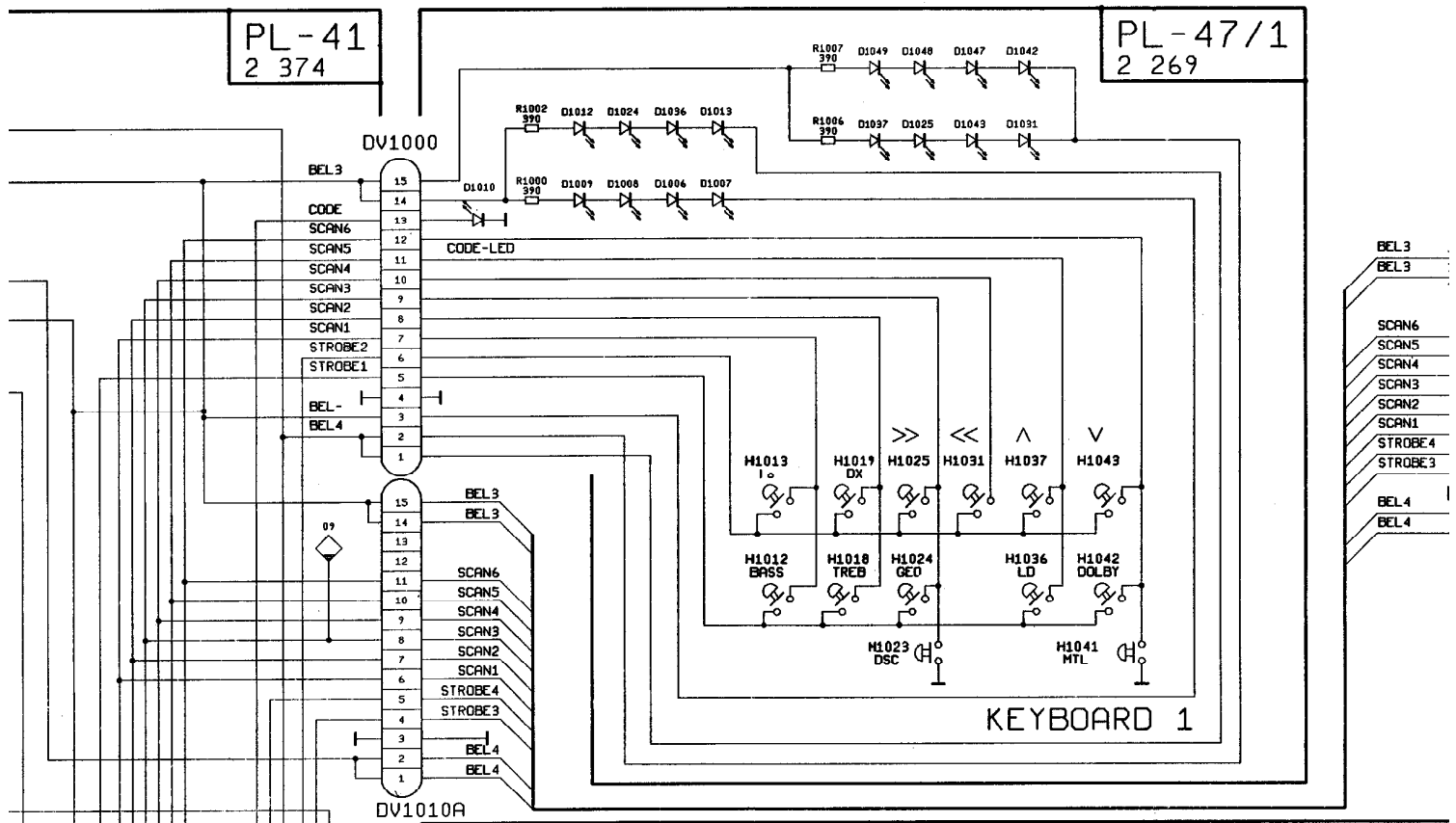
STEREO





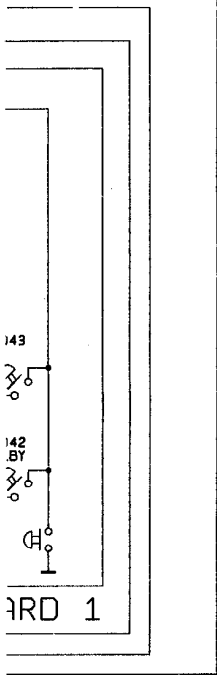
PL-41
2 374

PL-47/1
2 269

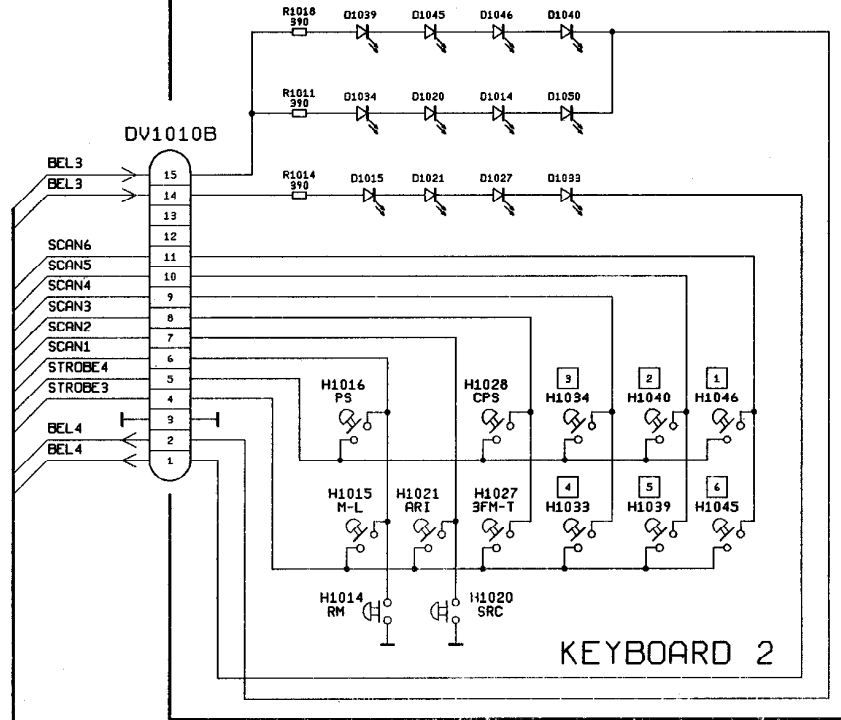


10/3
12/2
100/12

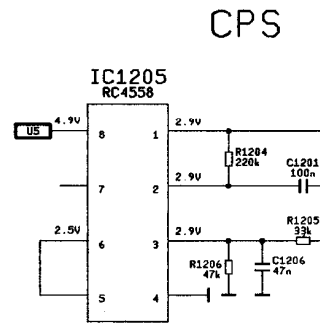
PL-47/1
2 269



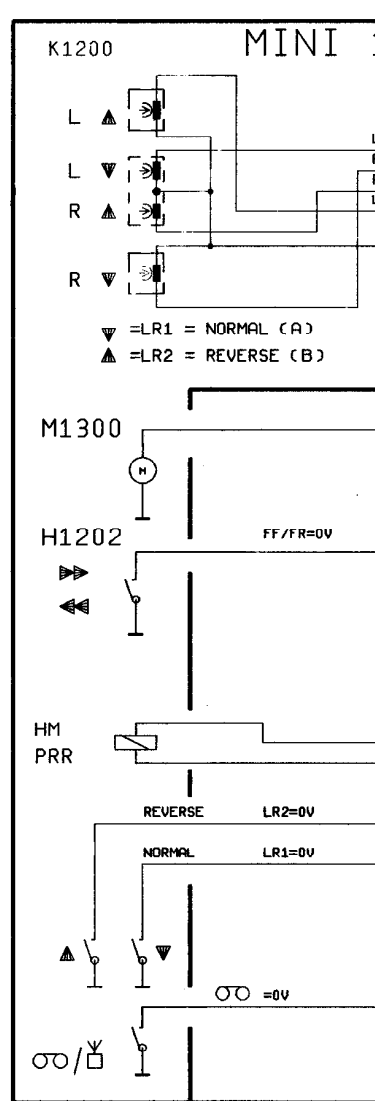
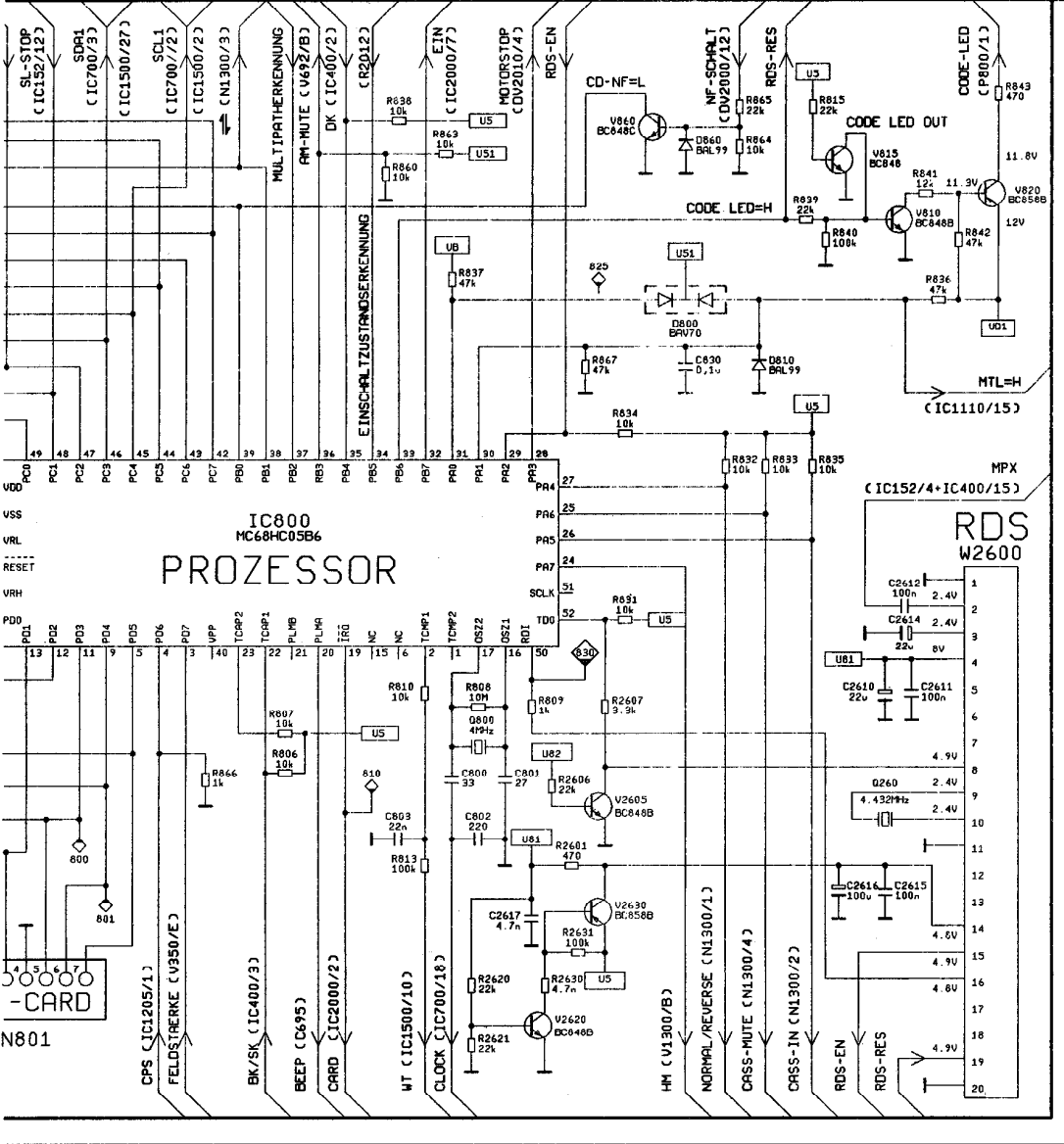
PL-47/2
2 270



PL-20
2 343

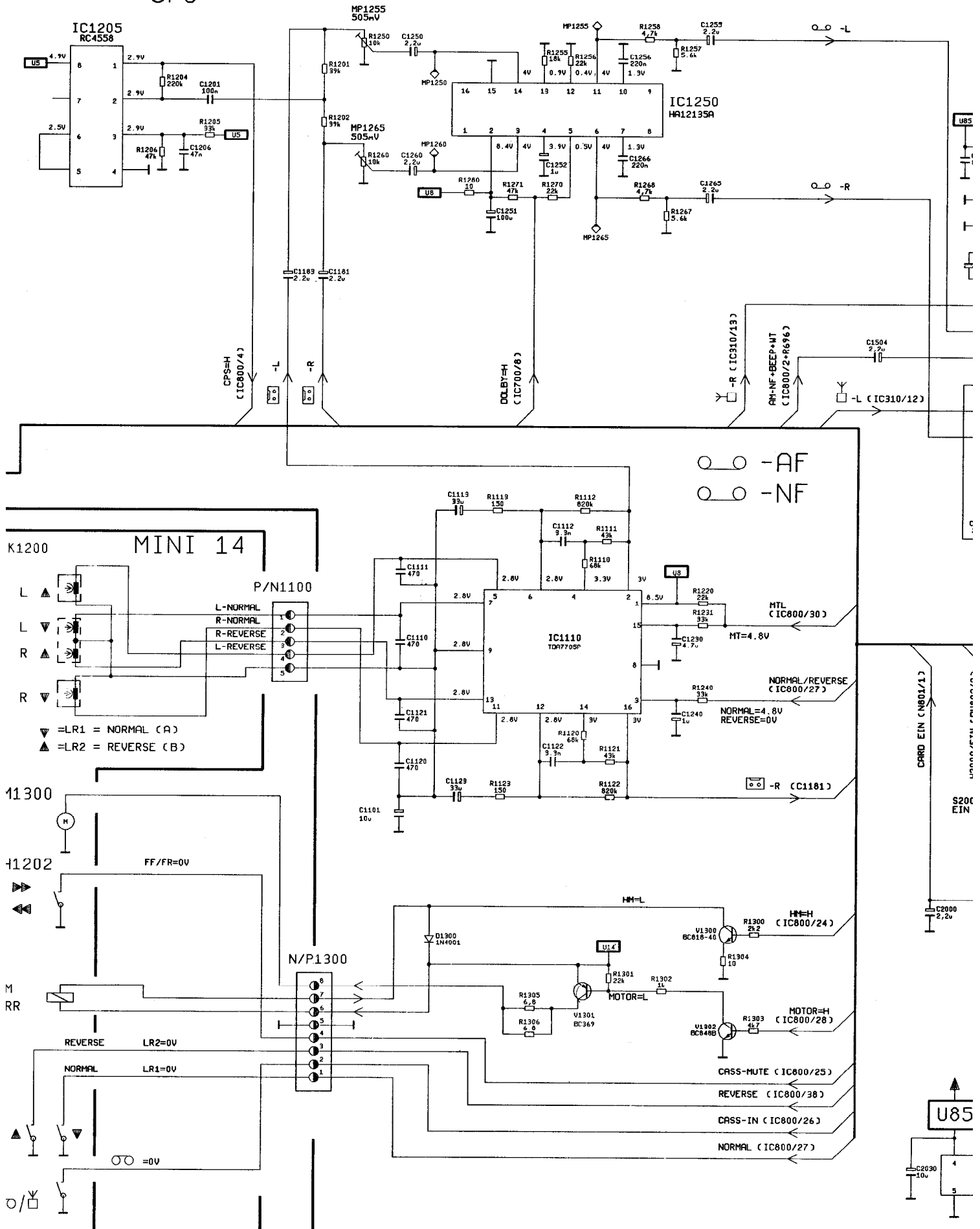


CPS



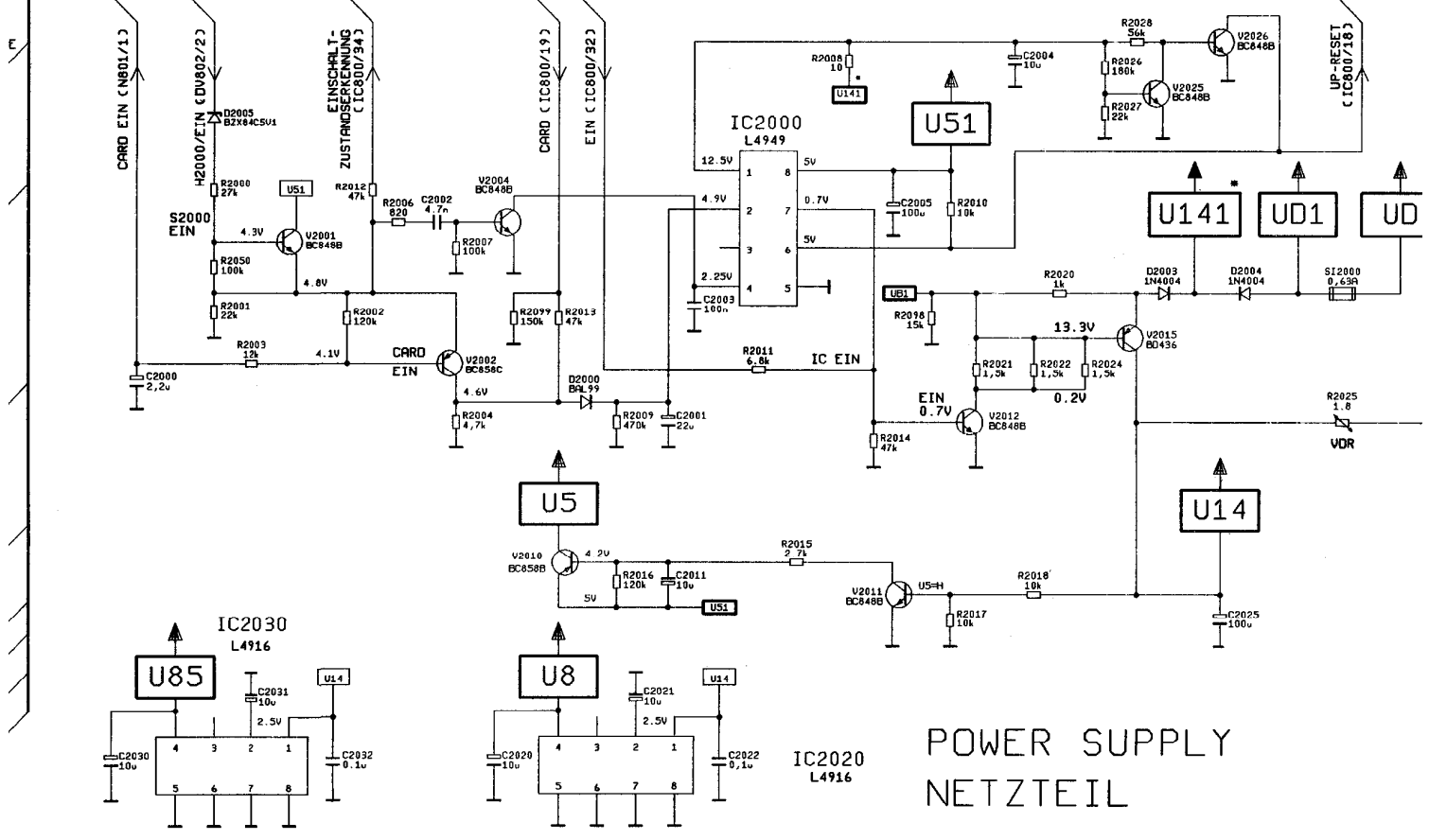
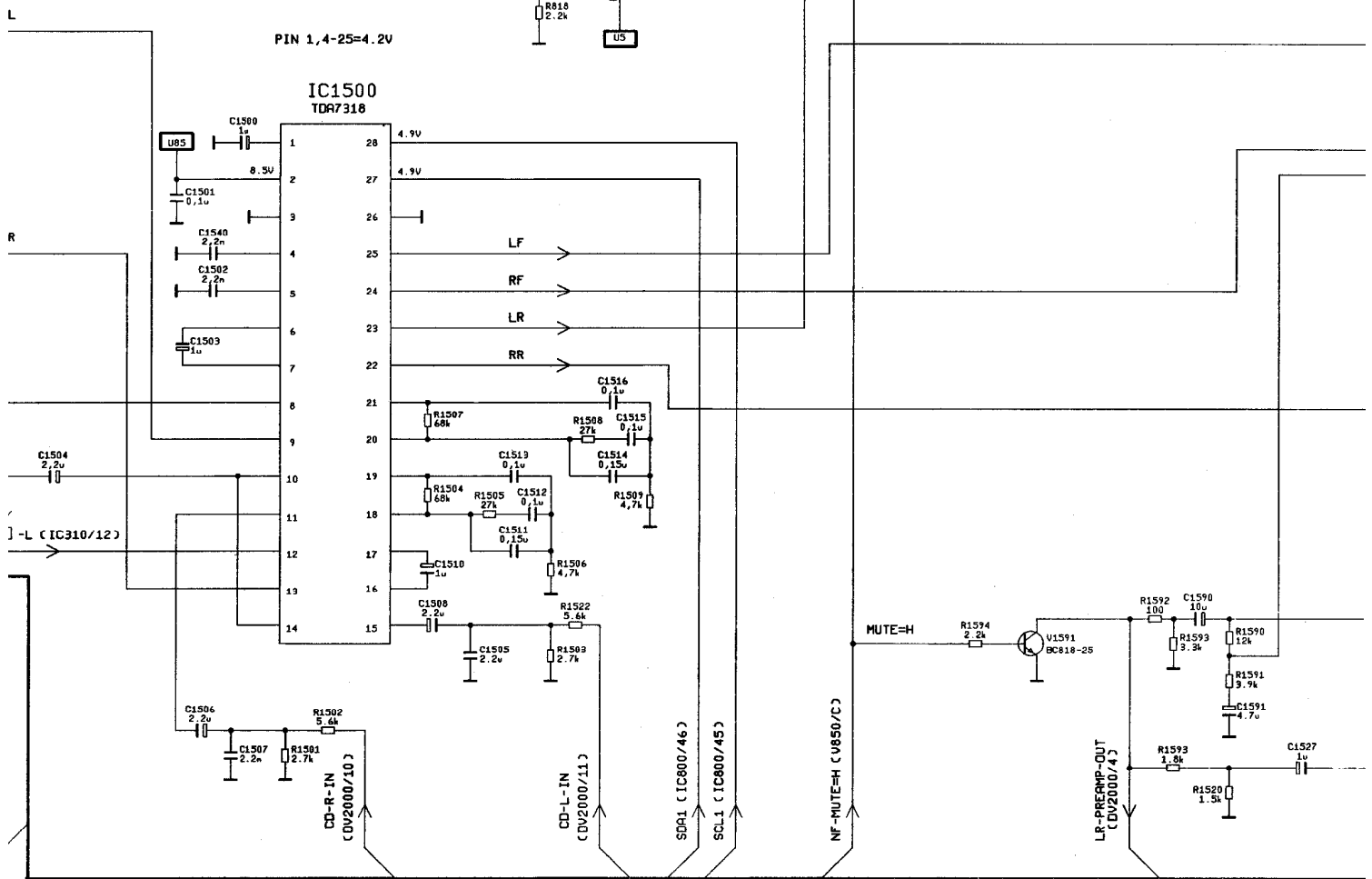
CPS

DOLBY



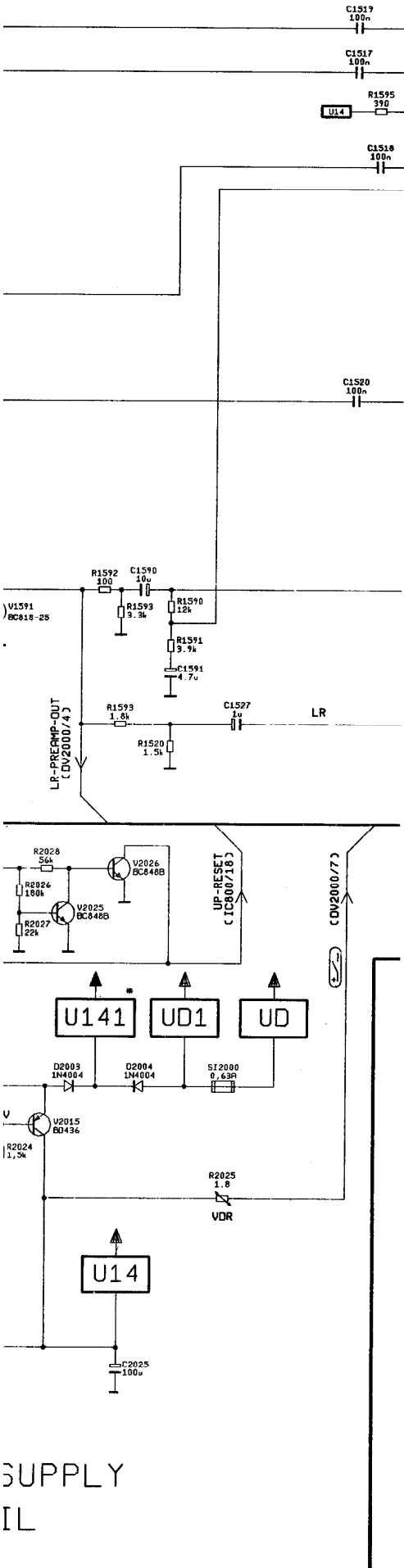
SOUND-SETTING NF-STELLER

NF-STUMM NF-STUMM



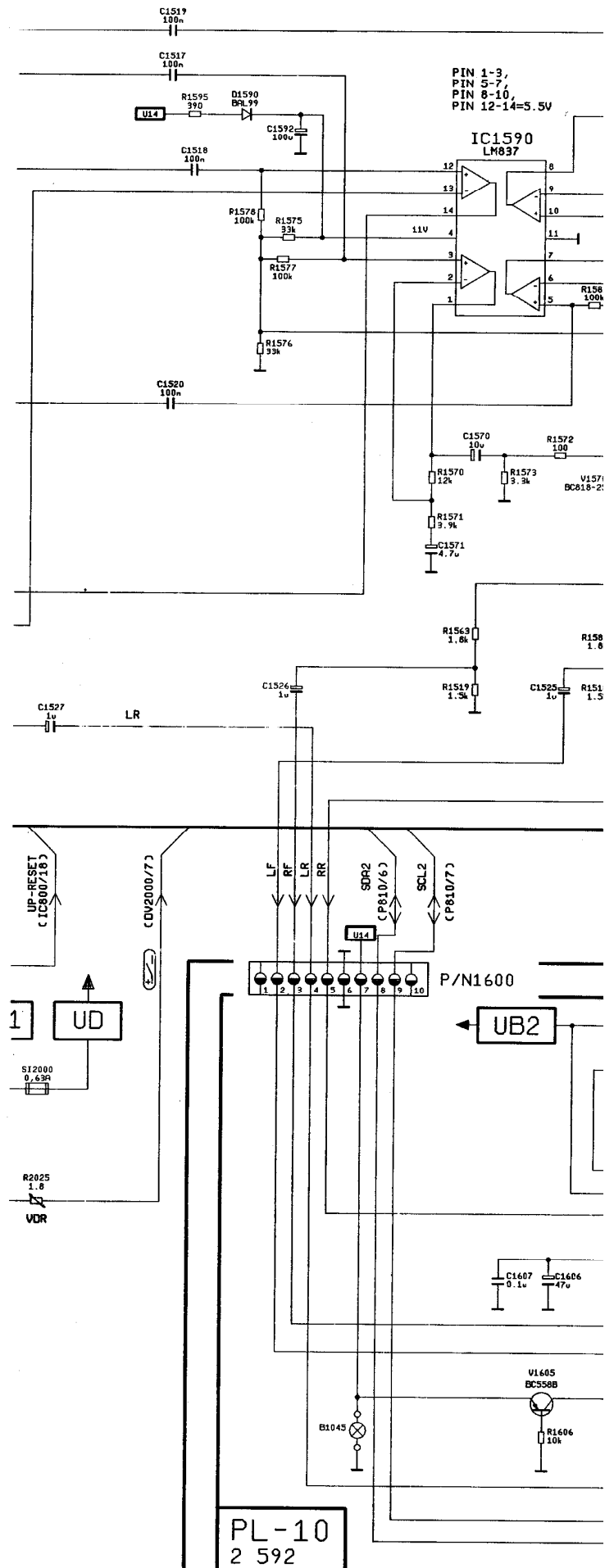
POWER SUPPLY NETZTEIL

-STUMM
-STUMM



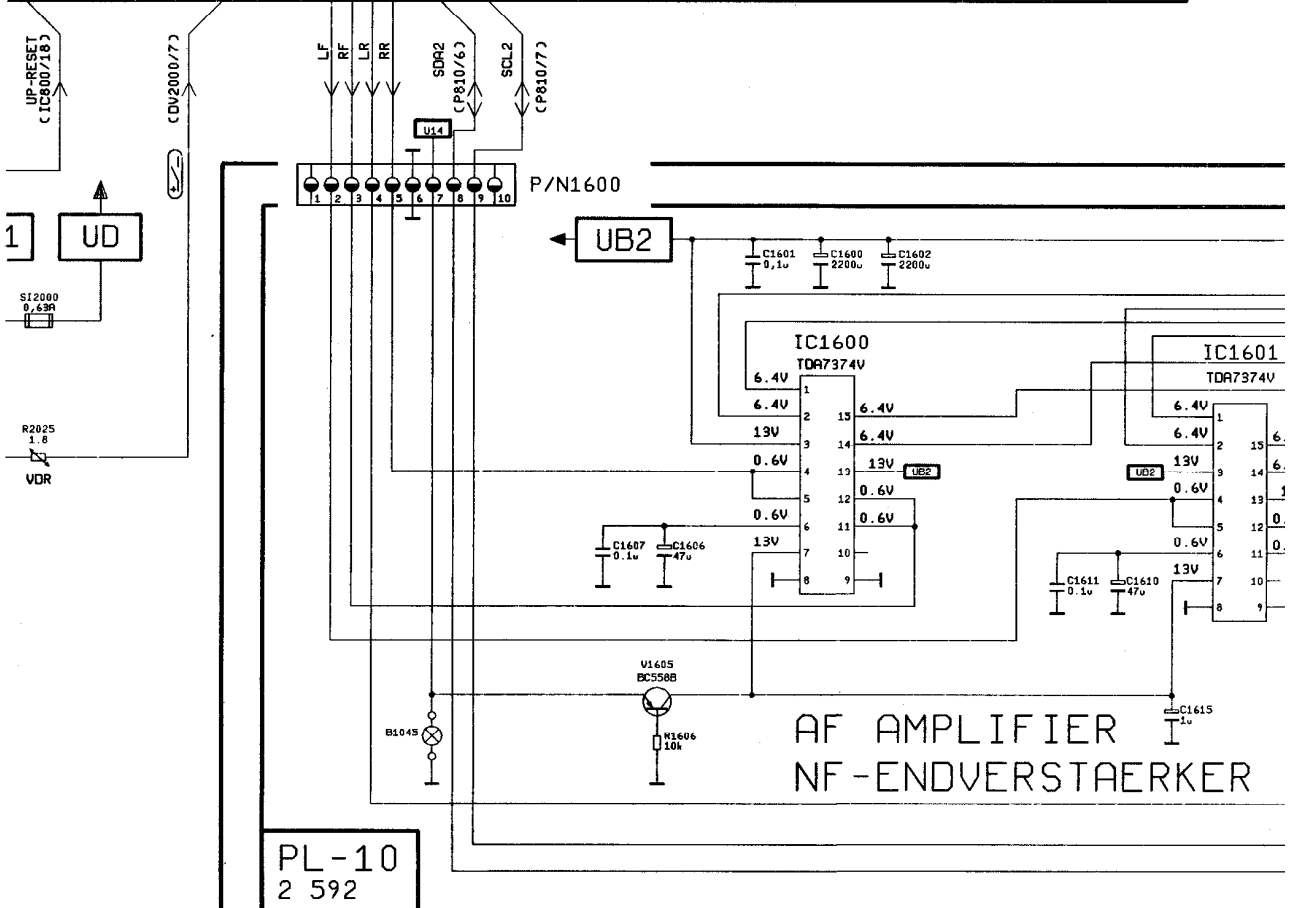
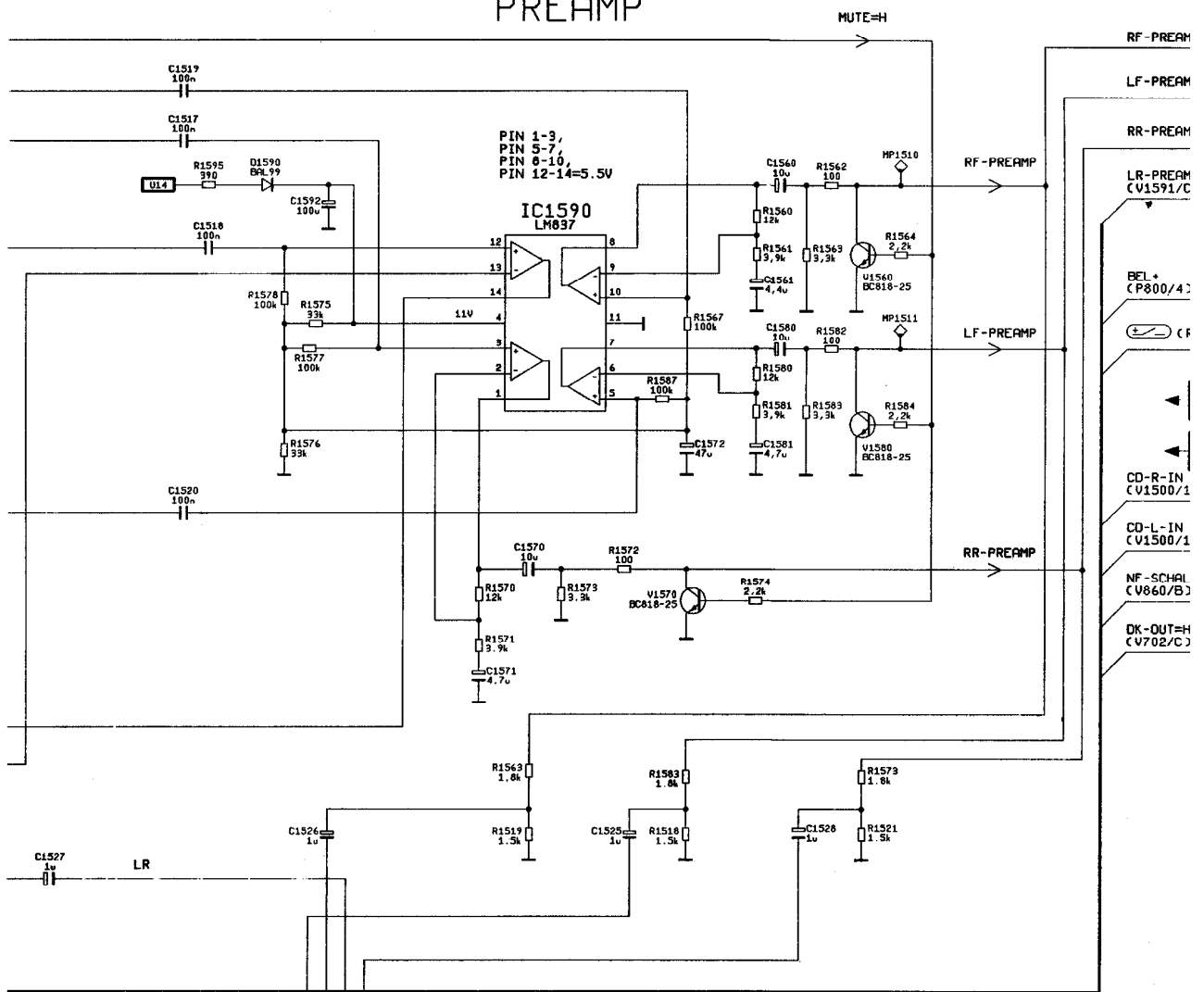
SUPPLY
IL

PREAMP



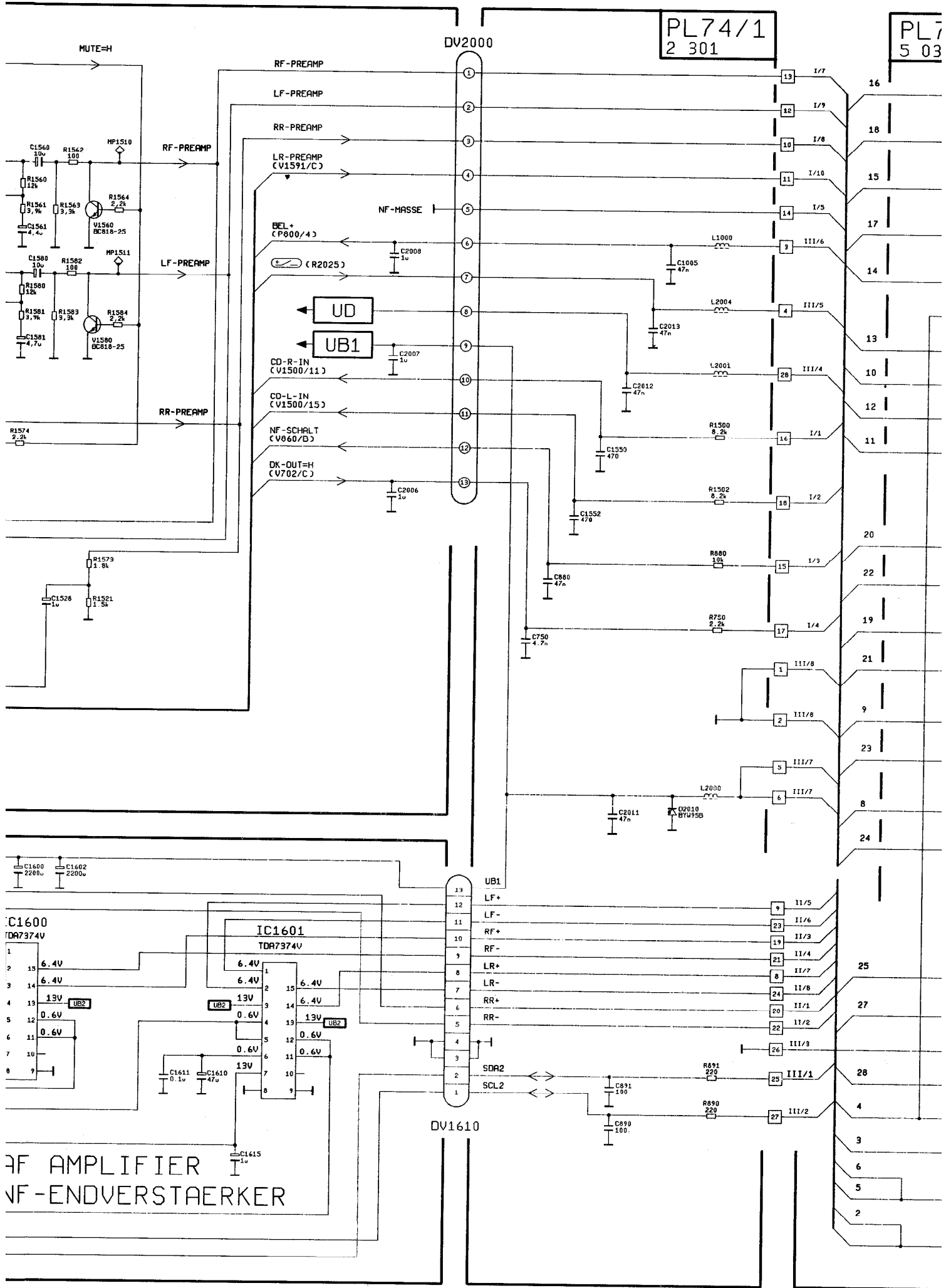
PL-10
2 592

PREAMP

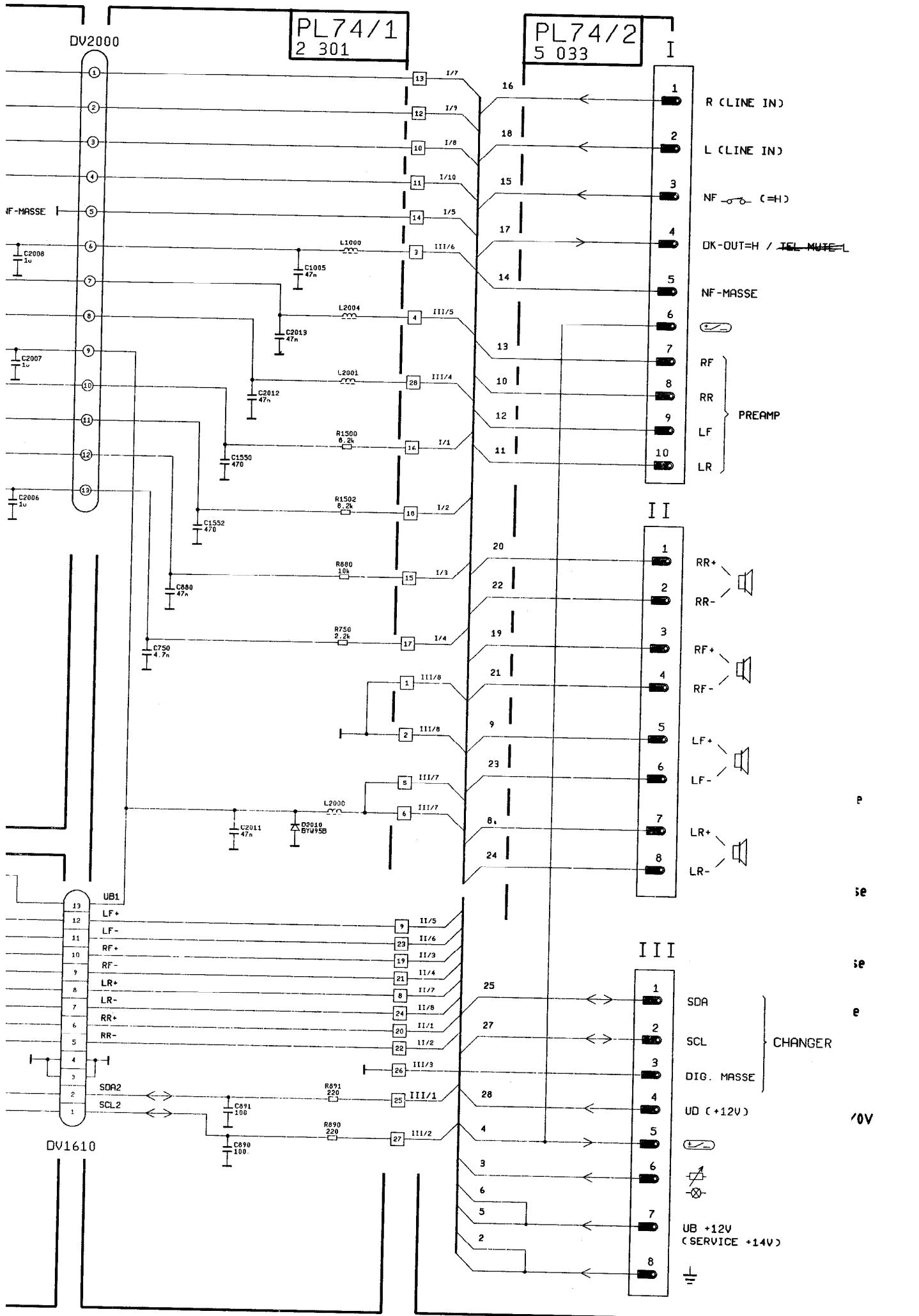


PL74/1
2 301

PL7
5 03



RF AMPLIFIER
NF-ENDVERSTÄRKER



PL74/1
2 301

PL74/2
5 033

DV2000

DV1610

IF-MASSE I

UB1

- 1 R (LINE IN)
- 2 L (LINE IN)
- 3 NF (=H)
- 4 DK-OUT=H / TEL MUTE=L
- 5 NF-MASSE
- 6
- 7
- 8 RF
- 9 RR
- 10 LF
- 11 LR

- 1 RR+
- 2 RR-
- 3 RF+
- 4 RF-
- 5 LF+
- 6 LF-
- 7 LR+
- 8 LR-

- 1 SDA
- 2 SCL
- 3 DIG. MASSE
- 4 UD (+12V)
- 5
- 6
- 7 UB +12V (SERVICE +14V)
- 8

CHANGER

e
se
se
e
/0V