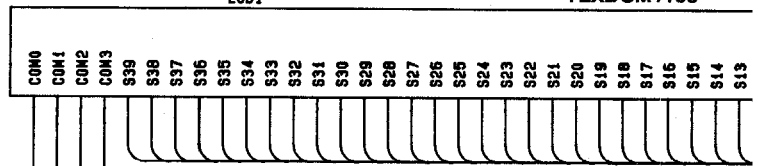


SCHEMATIC DIAGRAM / SCHALTBILT MODELS CQ-RD40/45LEN (Display Blo

E - 8006

LCD1

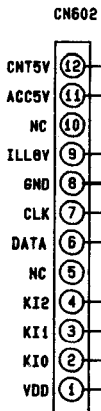
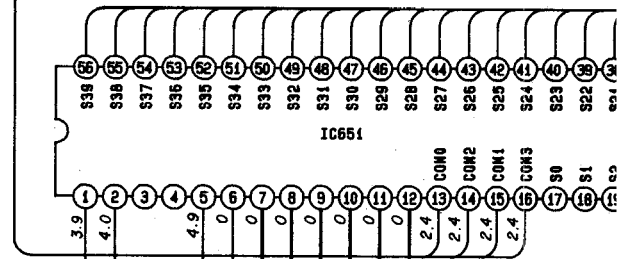
YEYDCM1103



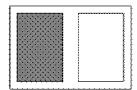
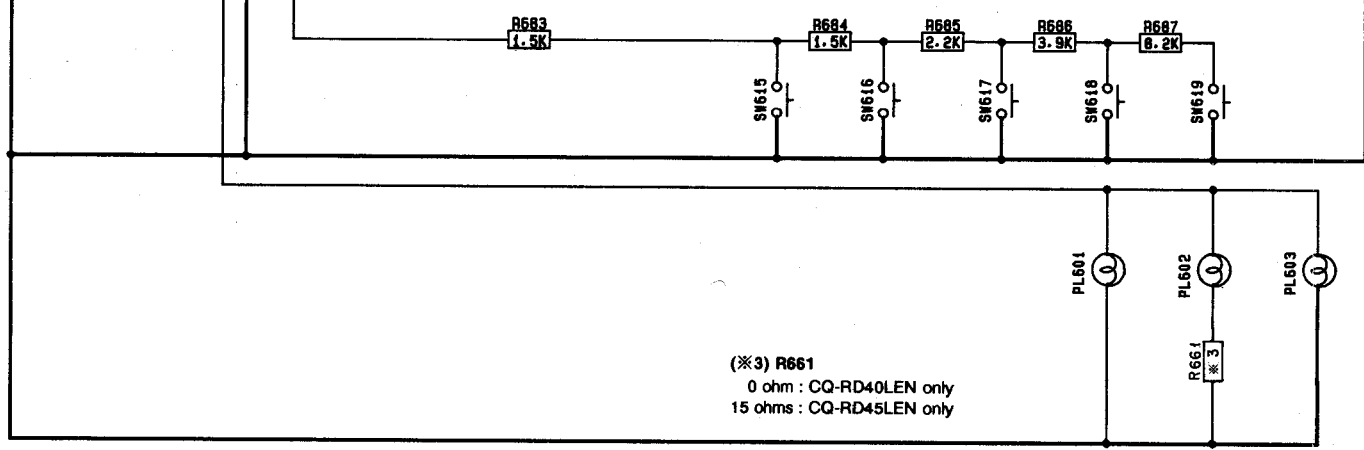
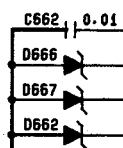
To Extend P.C.B.
E-6534Ab CP602

LCD DRIVER
IC651
YEAMPCF8576T

D661
LN01801RC5TA
D662, 666~668
MA8056LMHTX

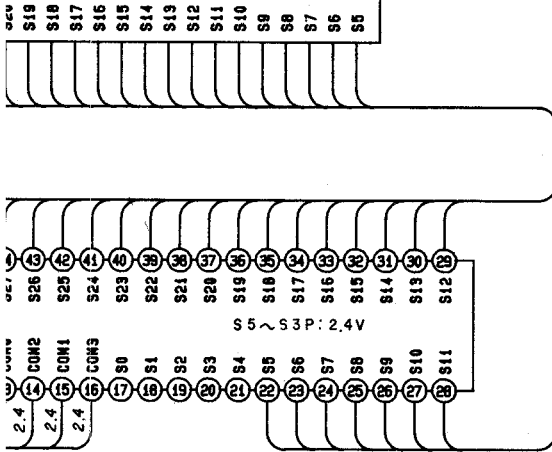


(※1) SW605
CQ-RD45LEN only
(※2) R676
CQ-RD40LEN only
0 ohm : CQ-RD40LEN only
27k ohms : CQ-RD45LEN only

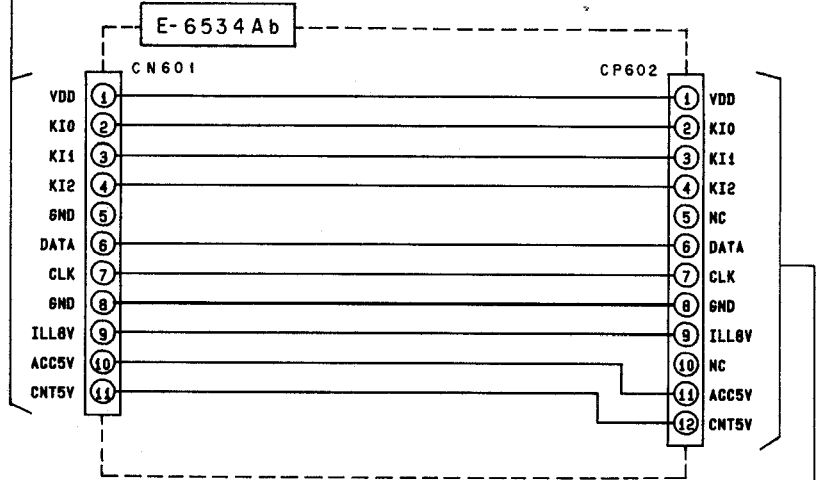


Display Block)

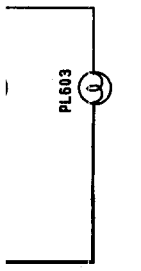
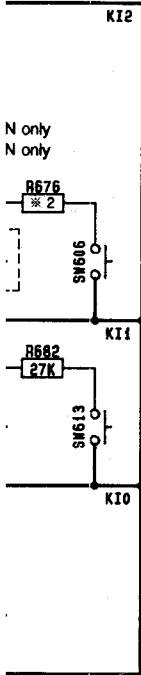
EXDCM1103



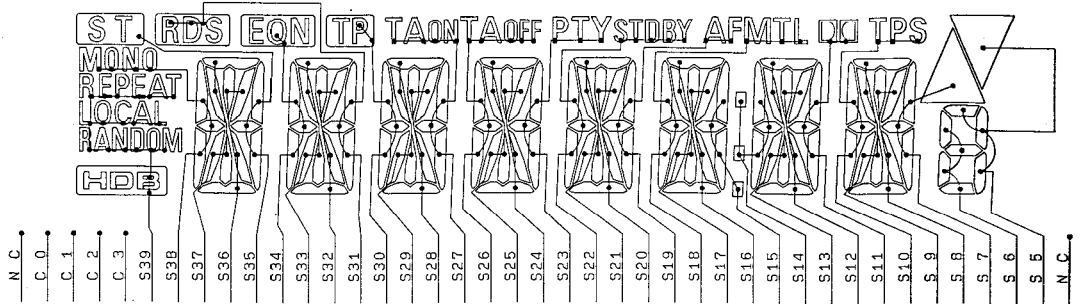
To Main P.C.B.
E-6534Aa CN601



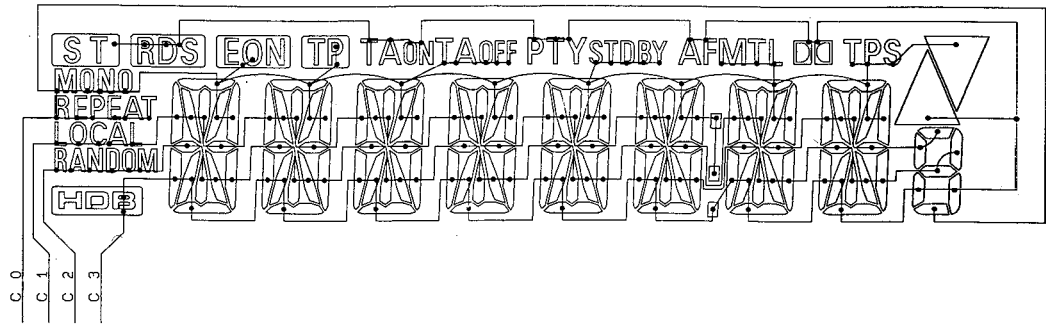
To Display P.C.B.
E-8006 CN602



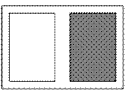
SEGMENT



COMMON

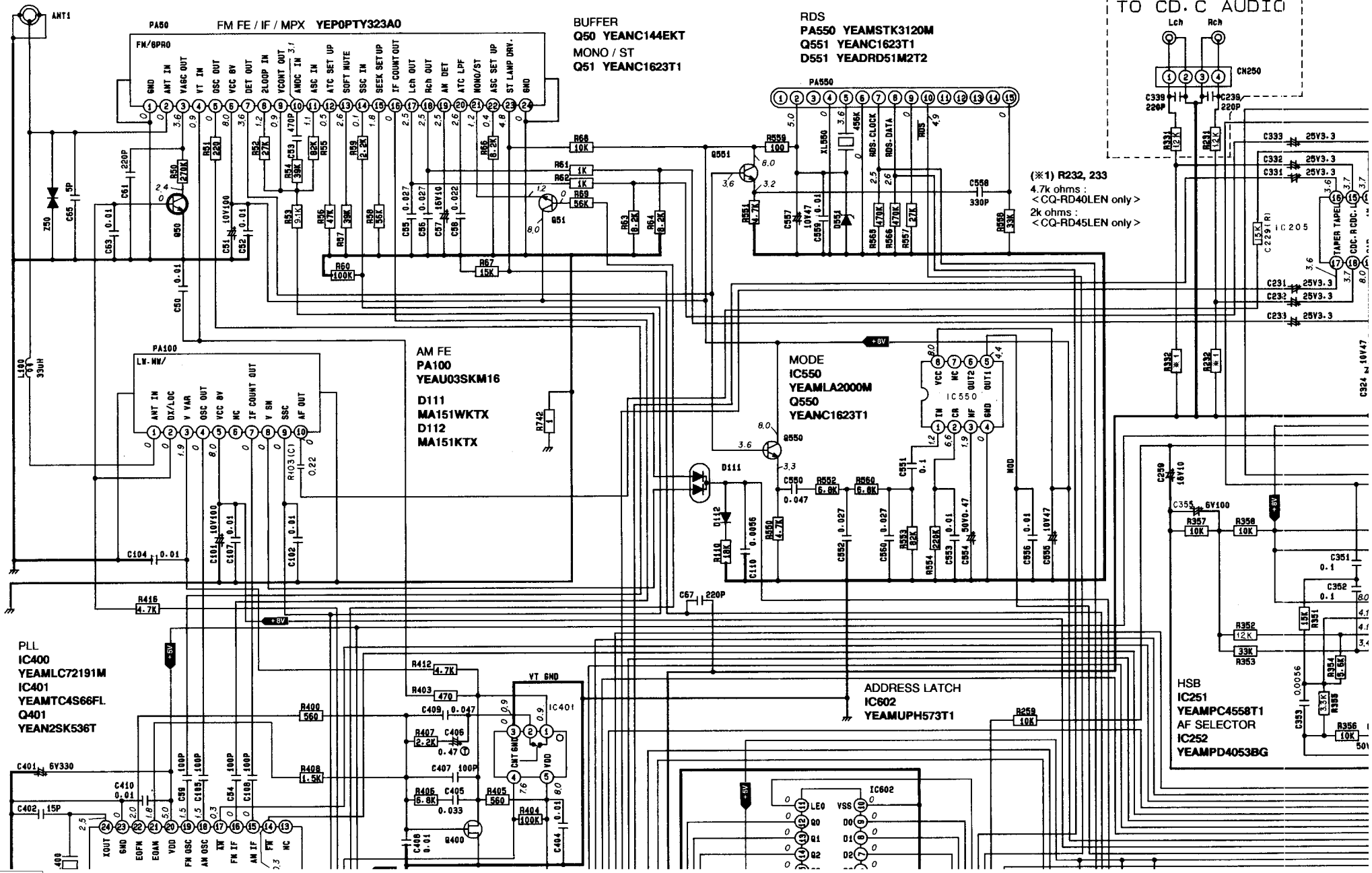


Removable Face High-Power Cassette / RDS Receiver

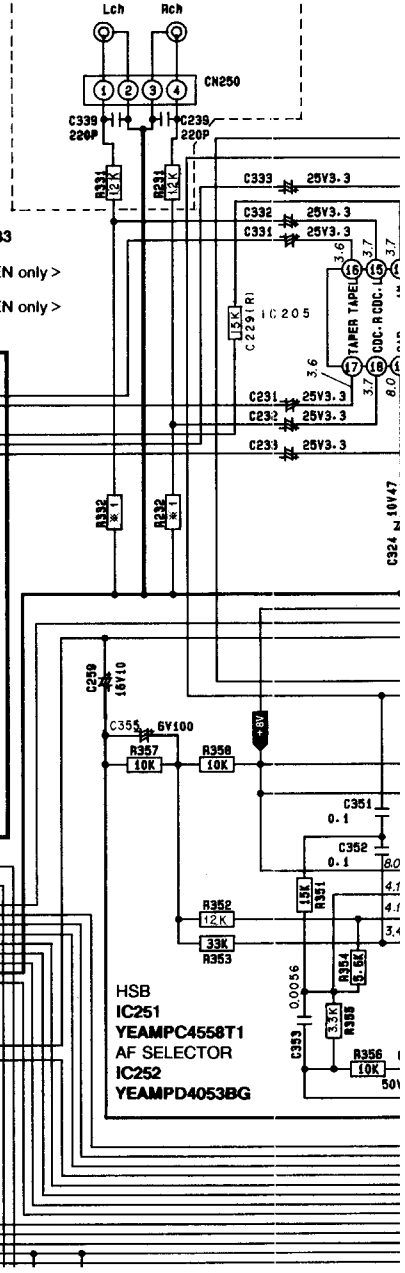


SCHEMATIC DIAGRAM / SCHALTBILT MODELS CQ-RD40/45LEN (Main Block)

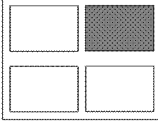
ANT



TO CD.C AUDIO



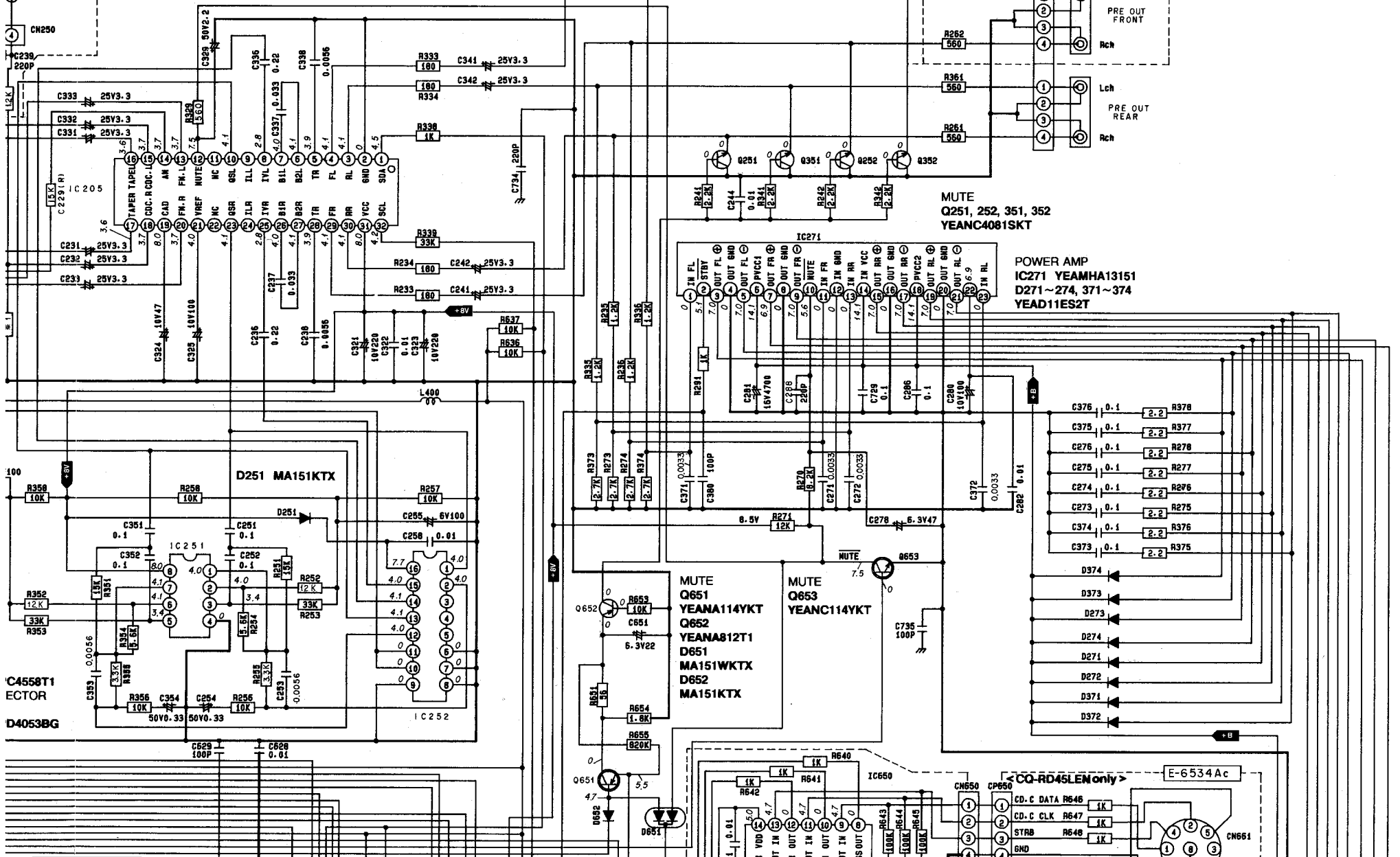
(*) R232, 233
 4.7k ohms:
 < CQ-RD40LEN only >
 2k ohms:
 < CQ-RD45LEN only >



AUDIO

ELECTRIC VOLUME CONTROL
IC250 YEAMEA6320TT

< CQ-RD45LEN only >



C4558T1
ECTOR
D4053BG

D251 MA151KTX

MUTE
Q651
YEANA114YKT
Q652
YEANA812T1
D651
MA151WKT
D652
MA151KTX

MUTE
Q653
YEANC114YKT

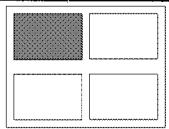
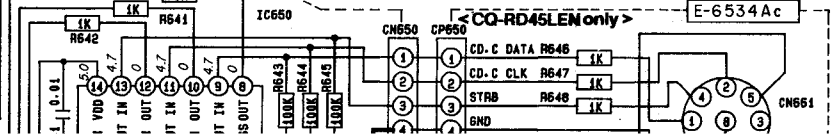
POWER AMP
IC271 YEAMHA13151
D271~274, 371~374
YEAD11ES2T

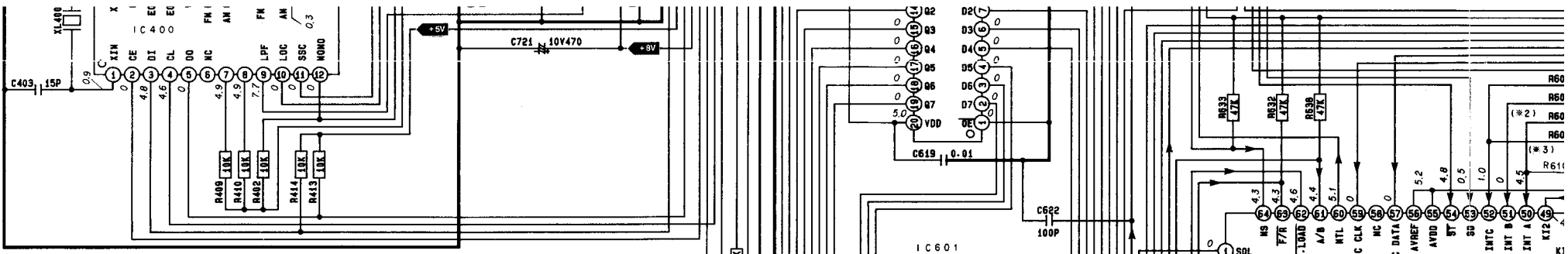
MUTE
Q251, 252, 351, 352
YEANC4081SKT

- C376 0.1 2.2 R378
- C375 0.1 2.2 R377
- C276 0.1 2.2 R278
- C275 0.1 2.2 R277
- C274 0.1 2.2 R276
- C273 0.1 2.2 R275
- C374 0.1 2.2 R376
- C373 0.1 2.2 R375
- D374
- D373
- D273
- D274
- D271
- D272
- D371
- D372

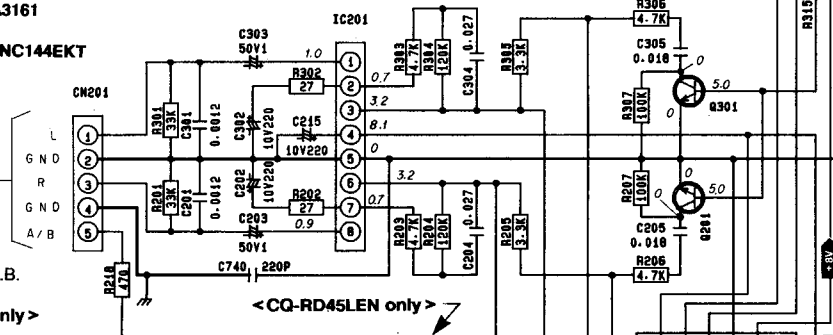
< CQ-RD45LEN only >

E-6534 Ac



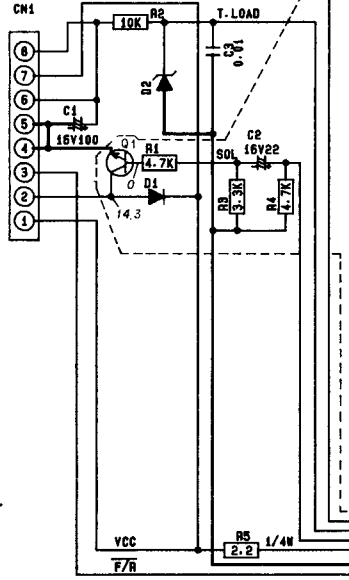
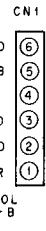


TAPE EQ AMP
IC201 YEAMLA3161
MTL
Q201, 301 YEANC144EKT



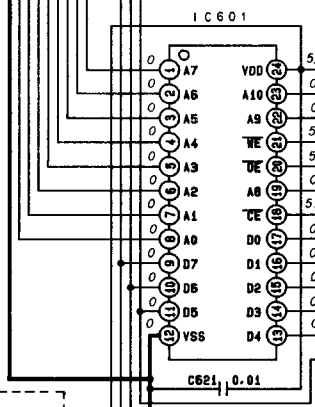
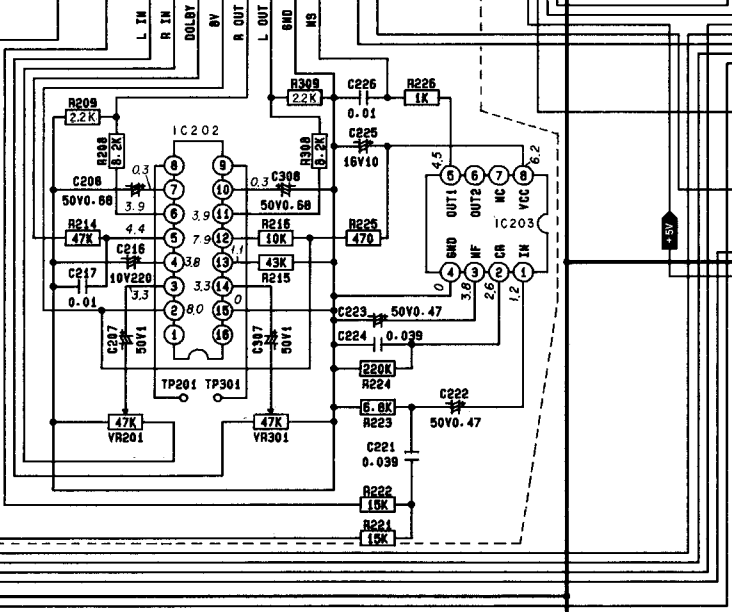
To Tape Head P.C.B.
 E-7542
 CNP1

To Tape Deck P.C.B.
 E-1940 CP701
<CQ-RD45LEN only>

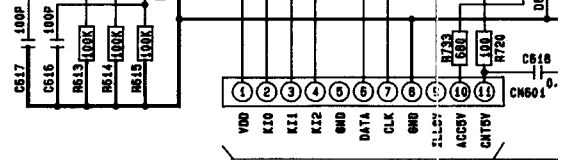


To Tape Deck P.C.B.
 E-1940 CP701
<CQ-RD45LEN only>

SOL DRIVER
Q1 YEAN2SD1111
D1 YEADD5M1A2T7
D2 YEADR51M2T2
DOLBY
IC202 YEAMCX1102MT
MS
IC203 YEAMLA2000M



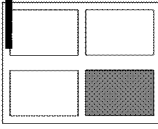
S-RAM
IC601 YEAM3517ML15
D621~623 MA8056LMHTX
D624 MA8091LMHTX



CPU
IC603
YEAM78014593

(*) R609 :
 CQ-RD45LEN
 (*) R610 :
 CQ-RD40LEN

LED
D601 LN25



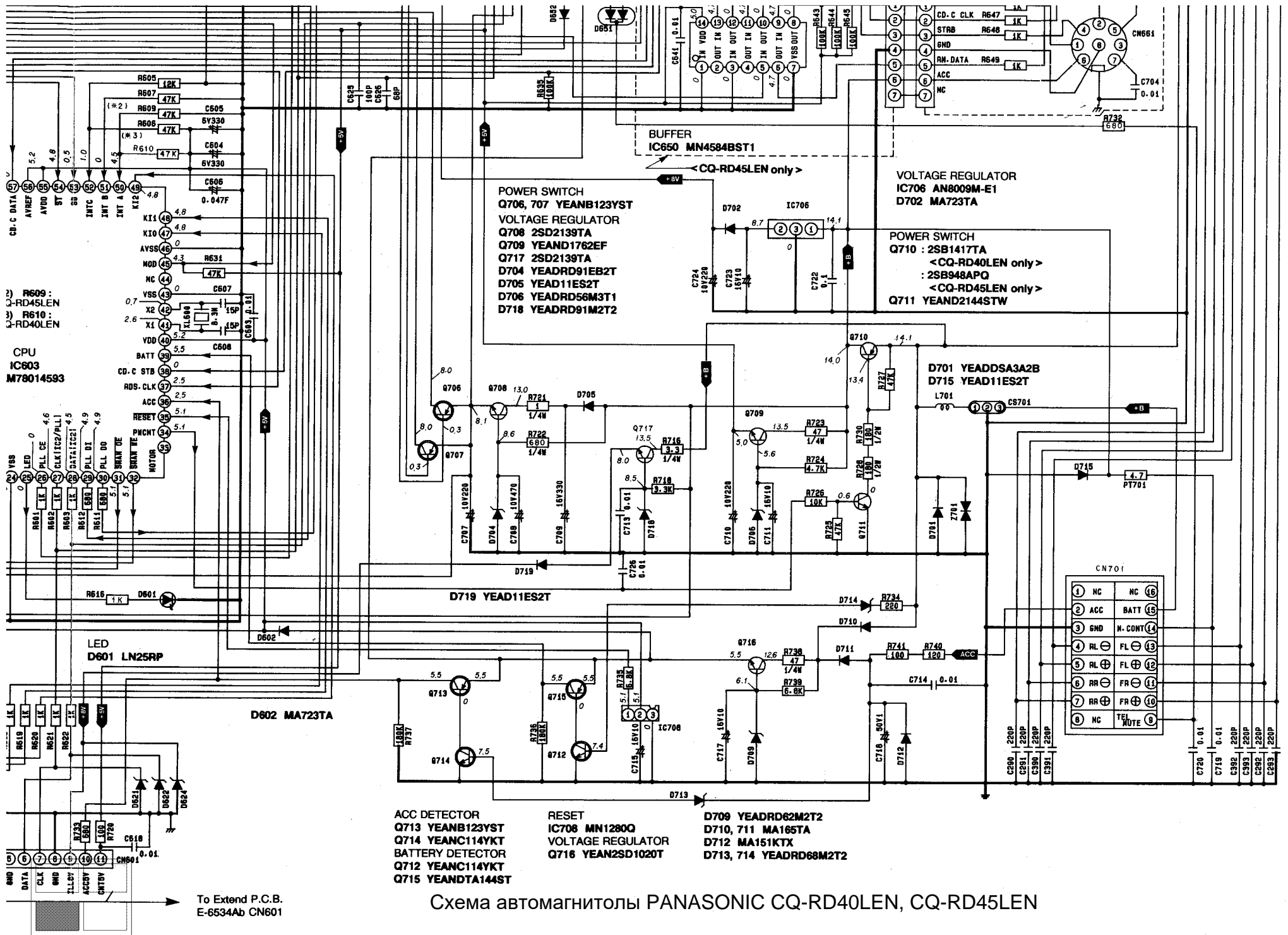


Схема автомагнитолы PANASONIC CQ-RD40LEN, CQ-RD45LEN

Removable Face High-Power Cassette / RDS Receiver