

# 4. SCHEMATIC CIRCUIT DIAGRAM

## MAIN UNIT

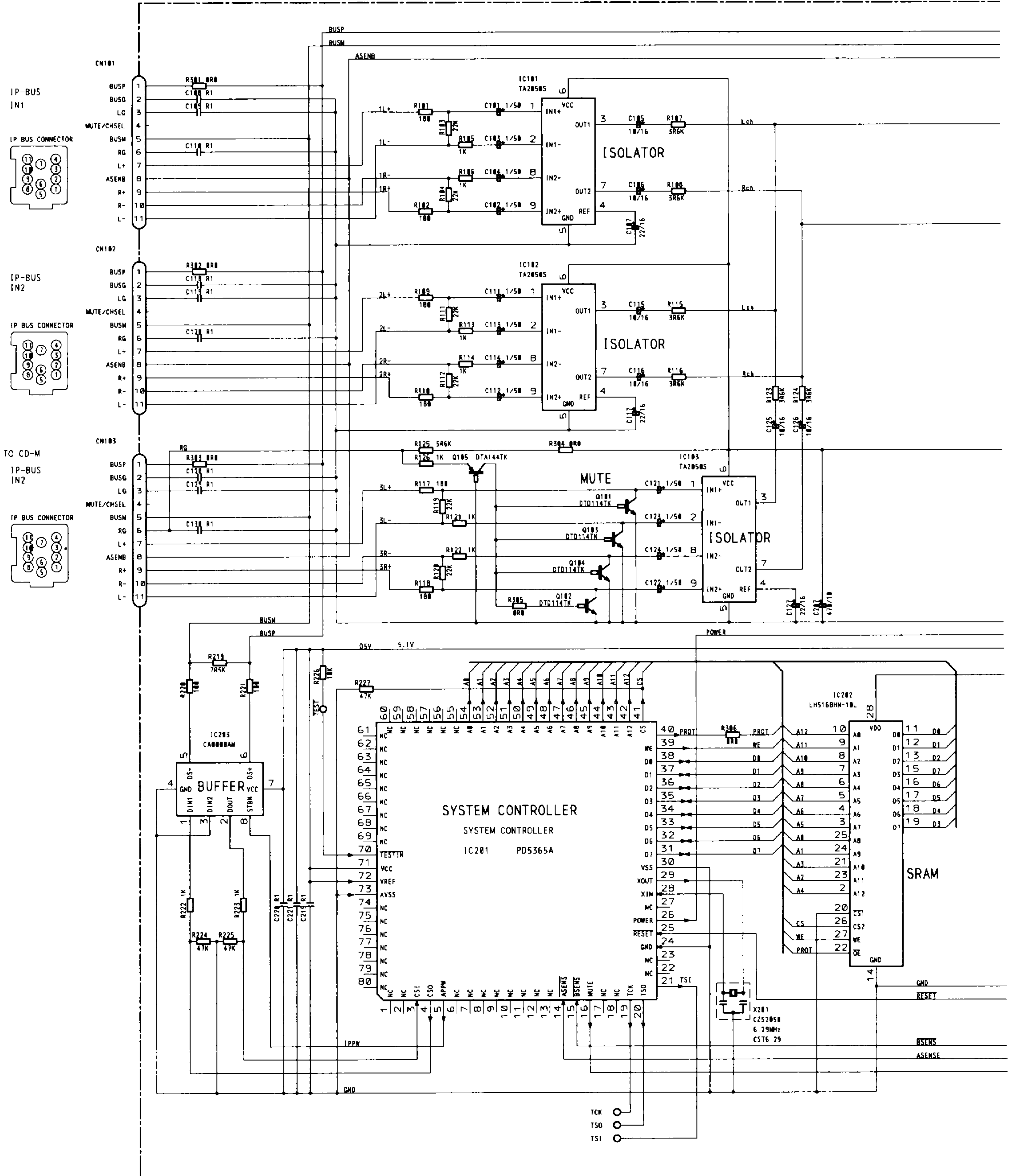


Fig.2

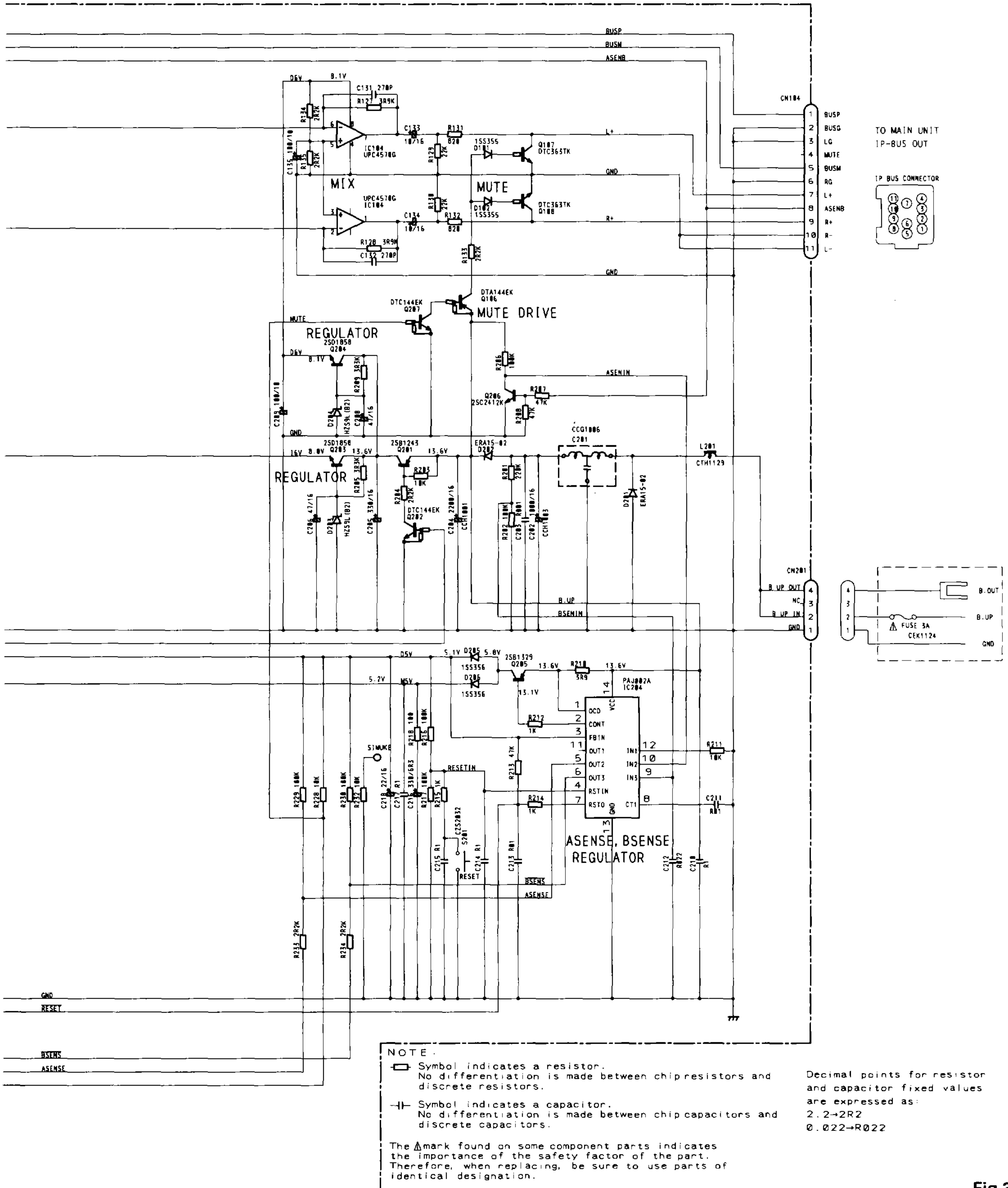


Fig.3