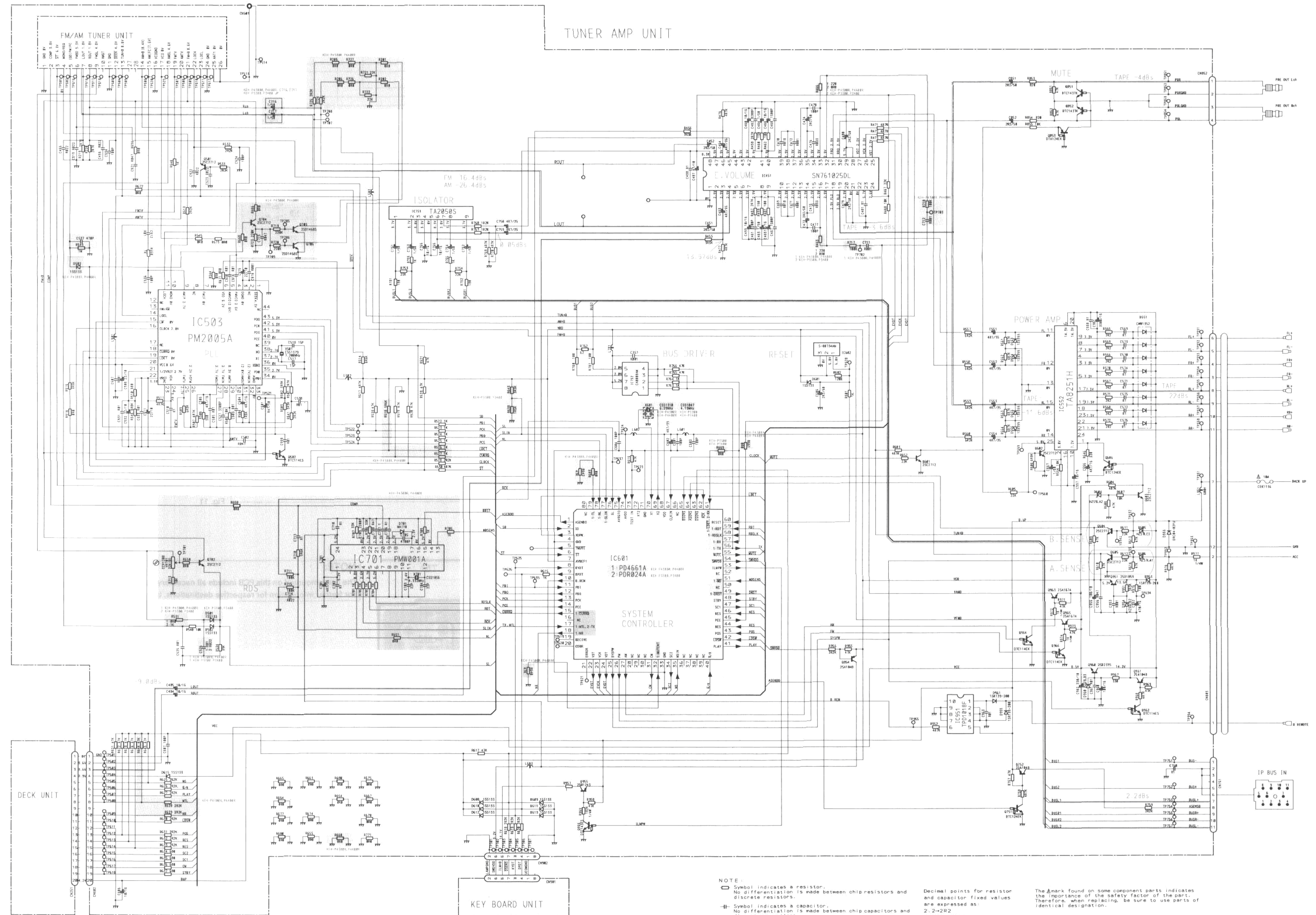


10. SCHEMATIC CIRCUIT DIAGRAM



NOTE:
 □ Symbol indicates a resistor.
 No differentiation is made between chip resistors and discrete resistors.
 -||- Symbol indicates a capacitor.
 No differentiation is made between chip capacitors and discrete capacitors.

Decimal points for resistor and capacitor fixed values are expressed as:
 2.2-2R2
 0.022-R022

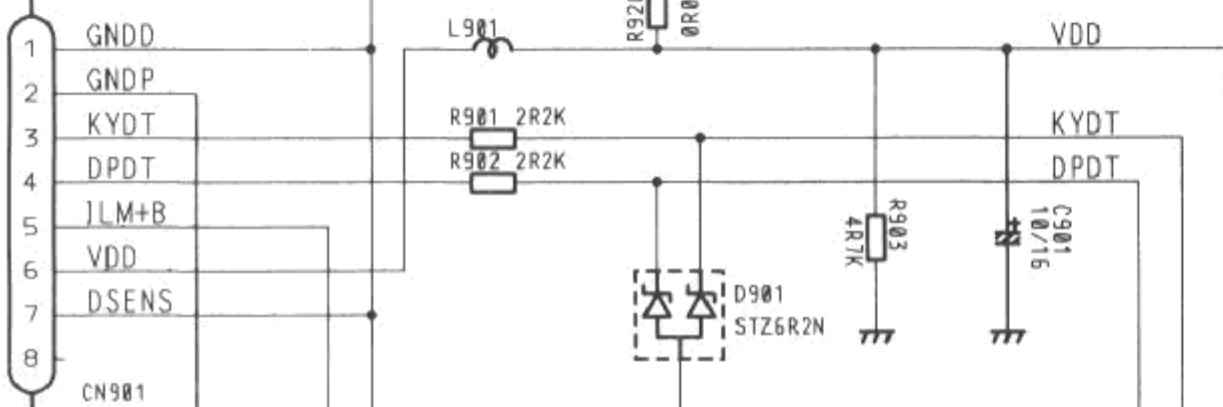
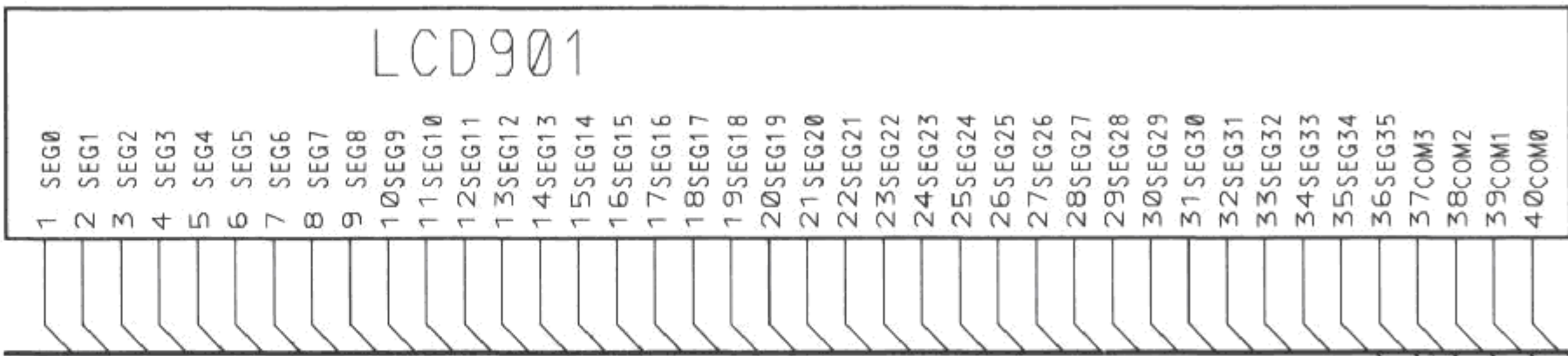
The Δ mark found on some component parts indicates the importance of the safety factor of the part. Therefore, when replacing, be sure to use parts of identical designation.

Fig. 10

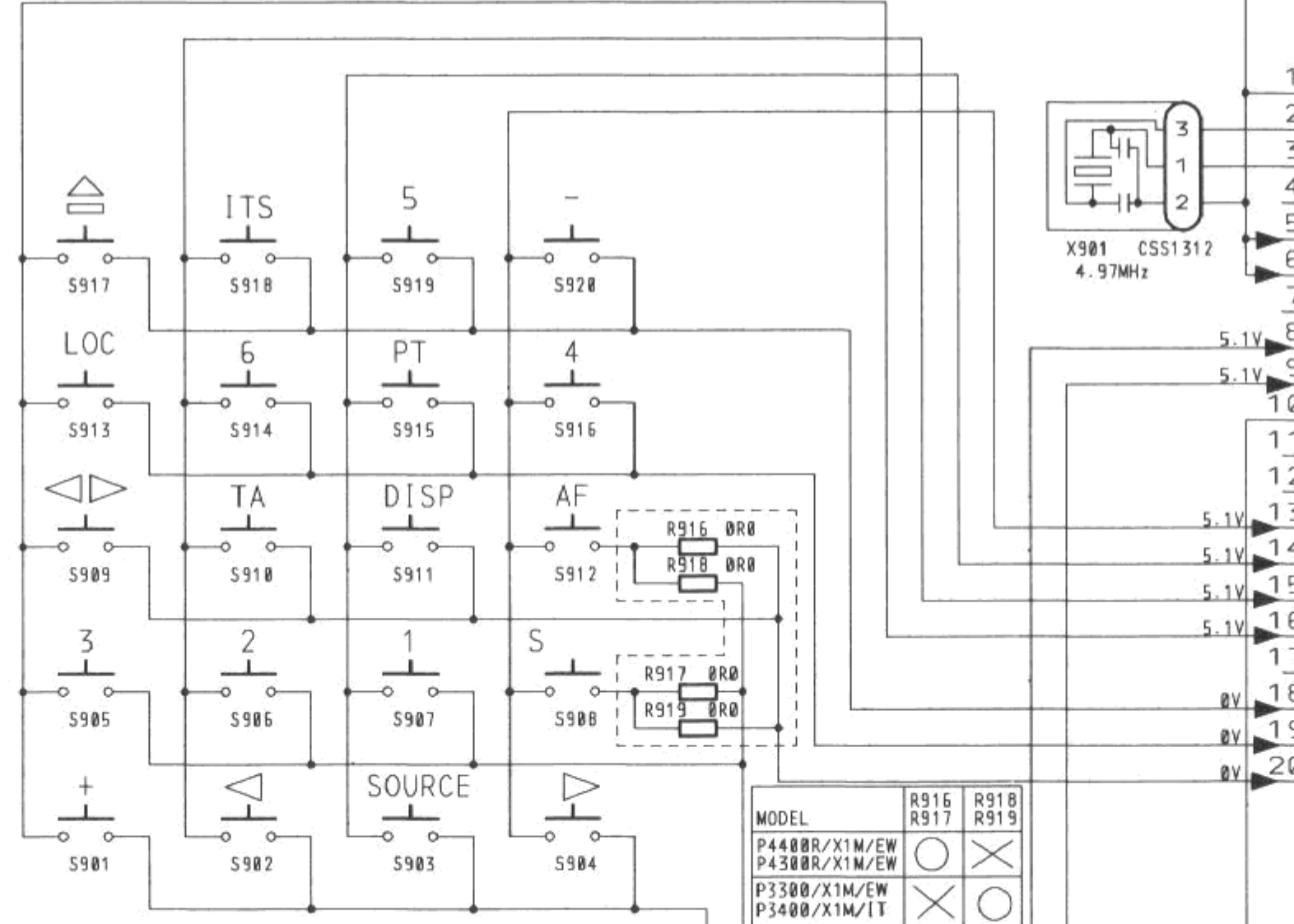
KEY BOARD UNIT

TUNER AMP UNIT
CN902

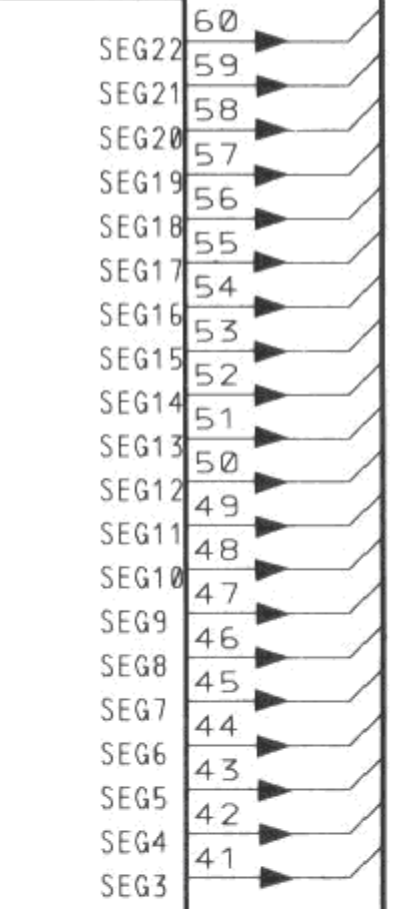
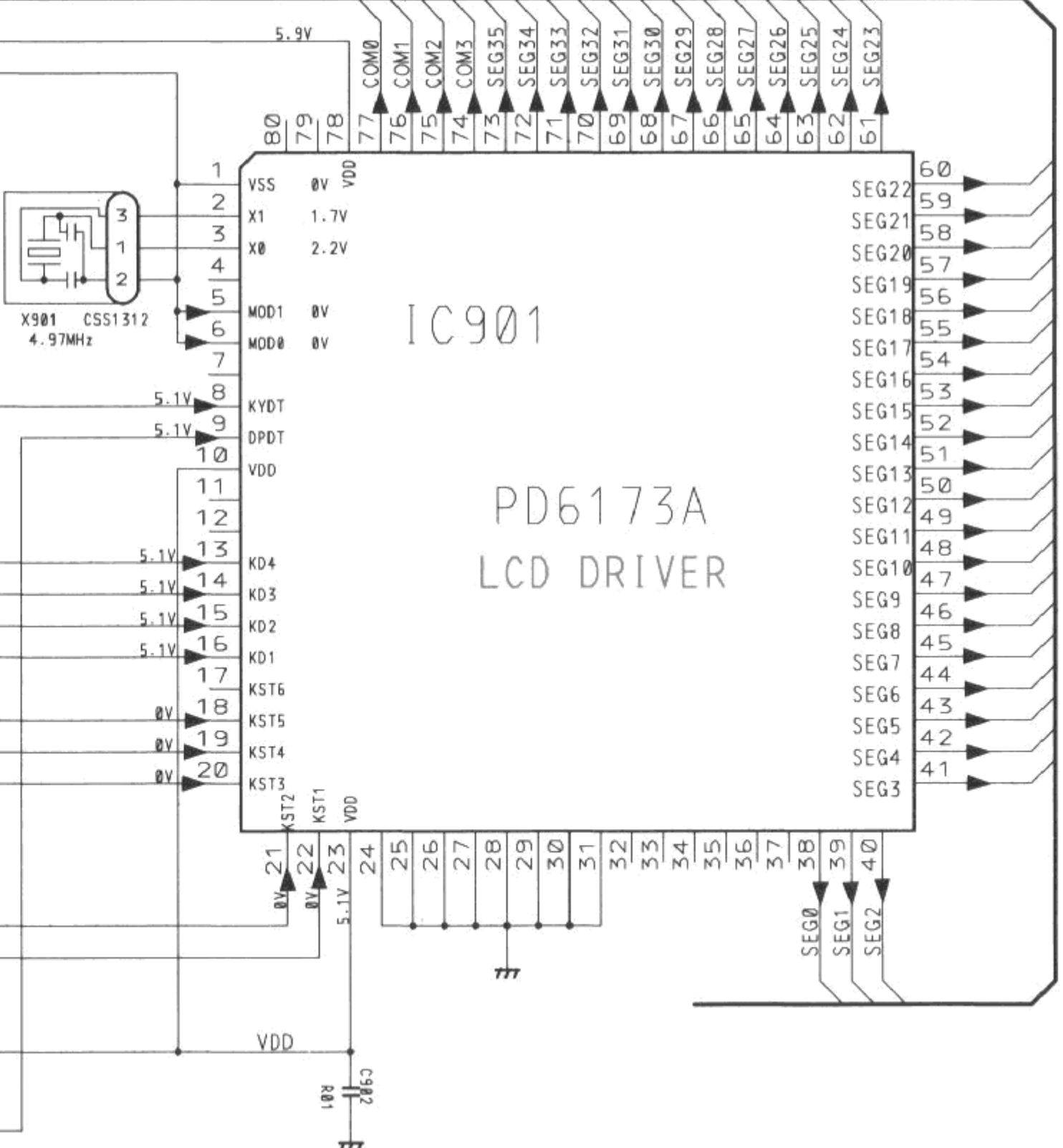
MODEL	LCD901
P4400R/X1M/EW	CAW1343
P4300R/X1M/EW	CAW1344
P3400/X1M/IT	
P3300/X1M/EW	CAW1346



MODEL	IL901-906
P4400R/X1M/EW	CEL1481
P3400/X1M/IT	
P4300R/X1M/EW	CEL1479
P3300/X1M/EW	



MODEL	R916	R917	R918	R919
P4400R/X1M/EW	○	○	×	×
P4300R/X1M/EW	○	○	×	×
P3300/X1M/EW	×	×	○	○
P3400/X1M/IT	×	×	○	○



11.3 CASSETTE MECHANISM MODULE

● Circuit Diagram(KEH-P4300R/X1M/EW, P4400R/X1M/EW)

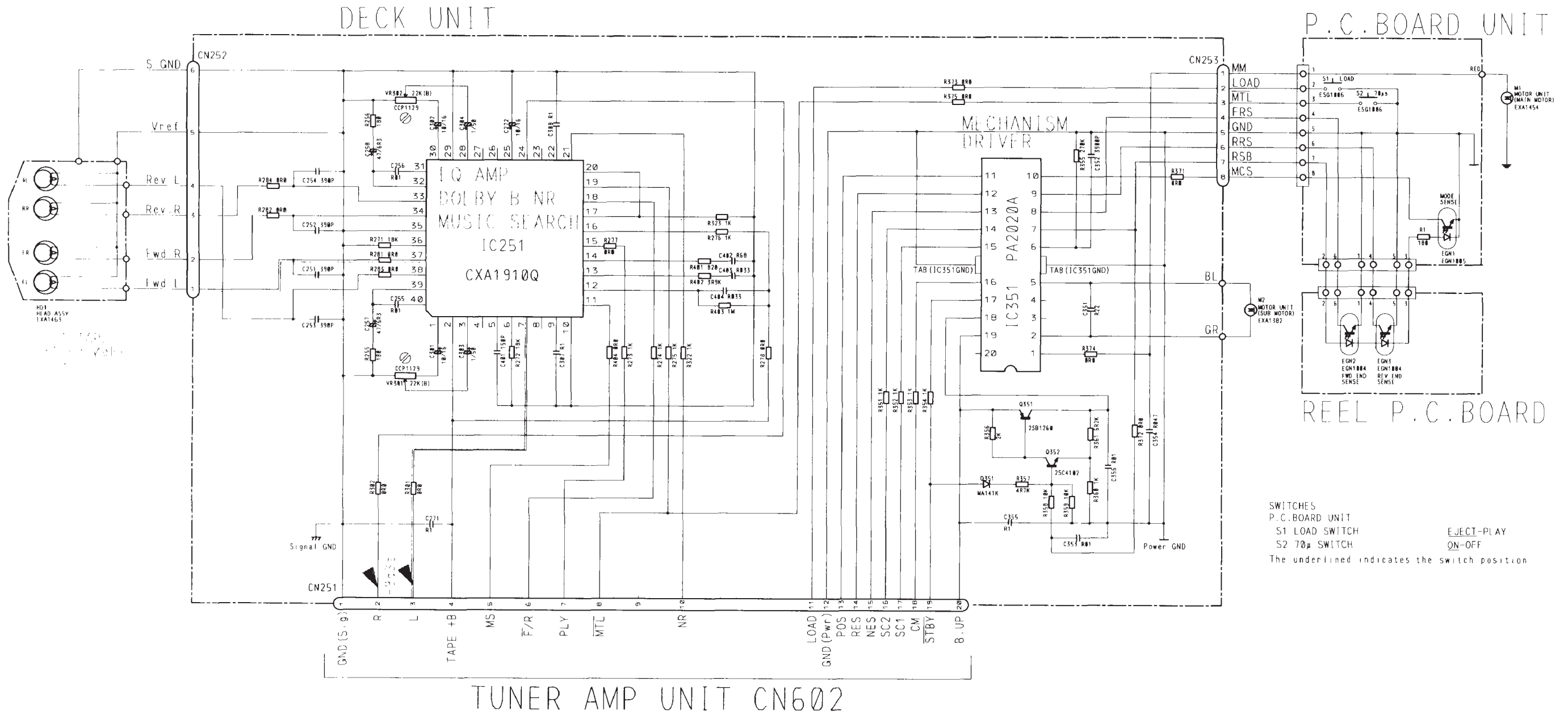


Fig. 15