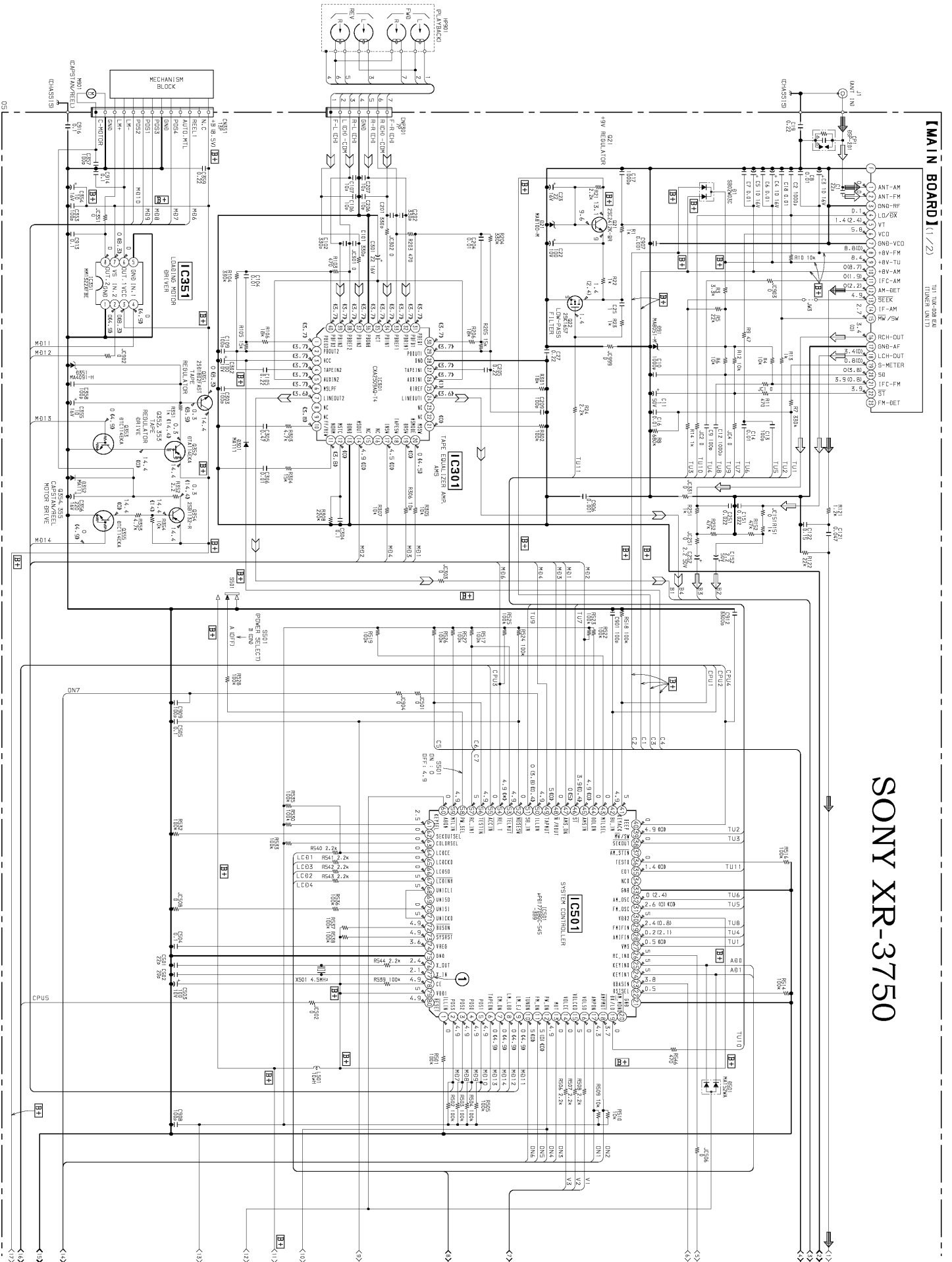
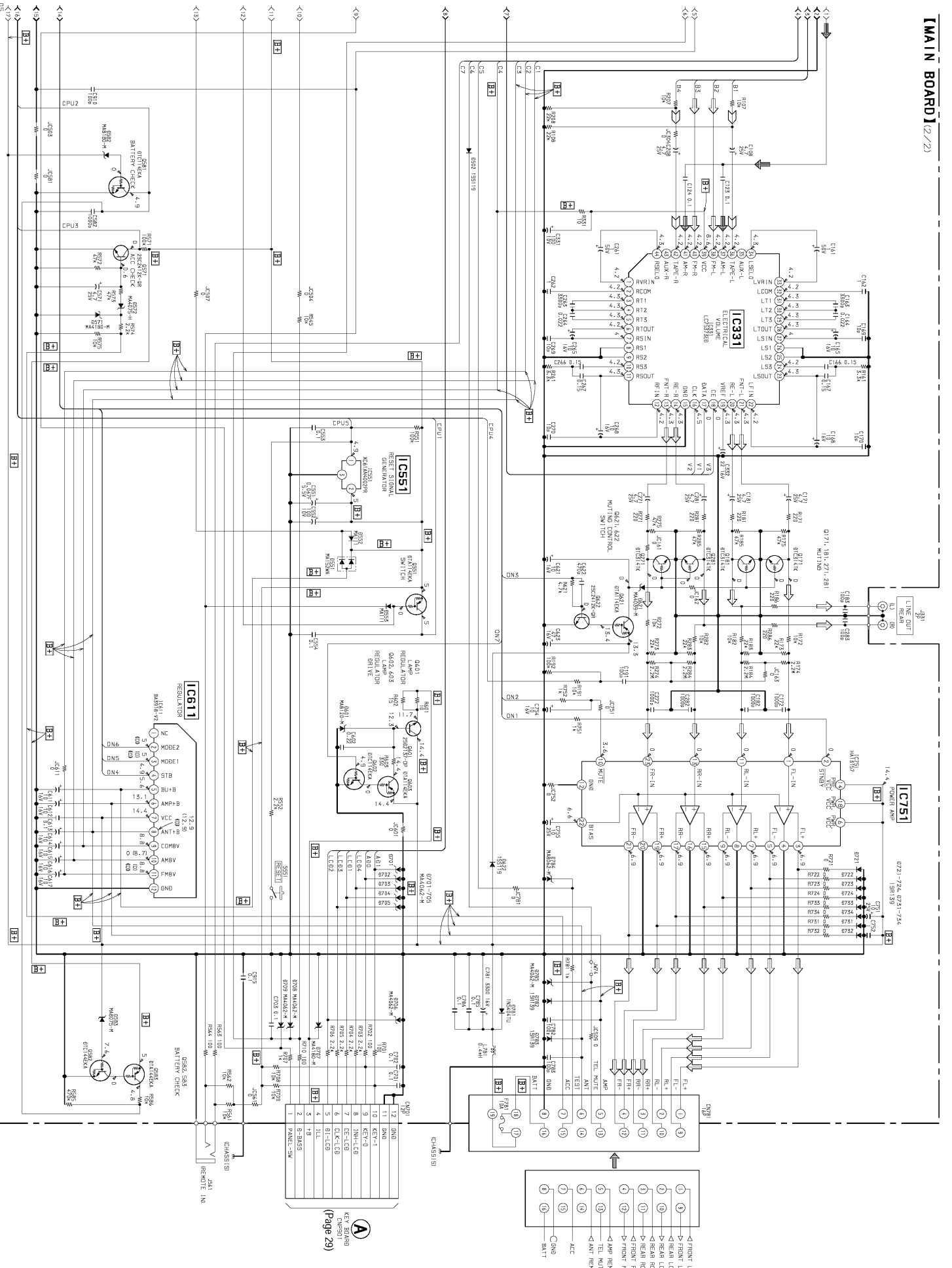


SONY XR-3750



SONY XR-3750



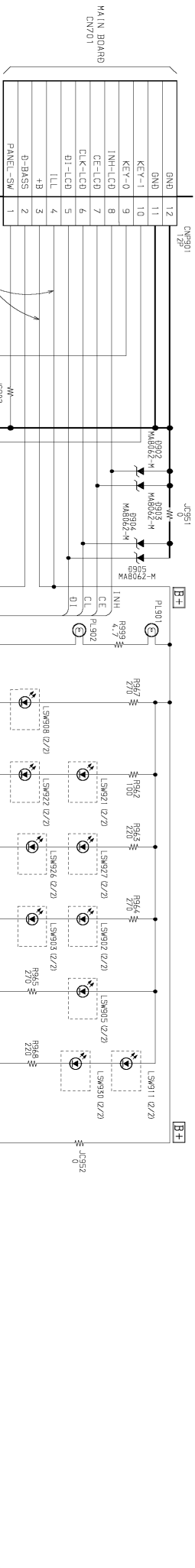
(Page 29)

1	FRONT LCH+
2	FRONT LCH-
3	FRONT RCH+
4	FRONT RCH-
5	AMP BSM
6	TEL. MUTE
7	ANT. INH
8	CND
9	ACC
10	BATT

【KEY BOARD】

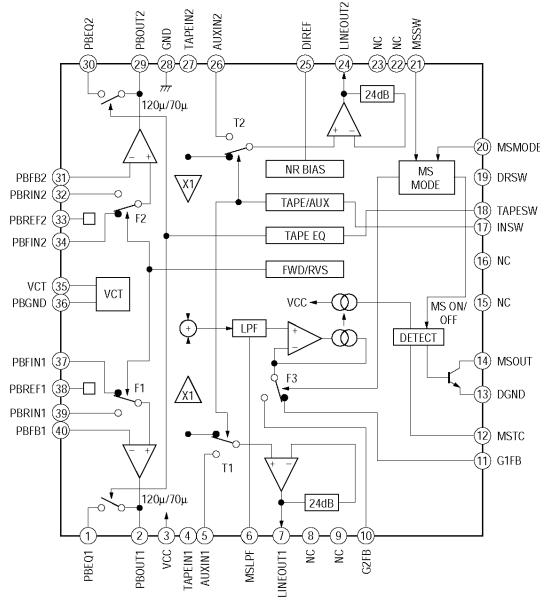
PL901, 902
LCD BACK LIGHT

LCB901
LIQUID CRYSTAL DISPLAY

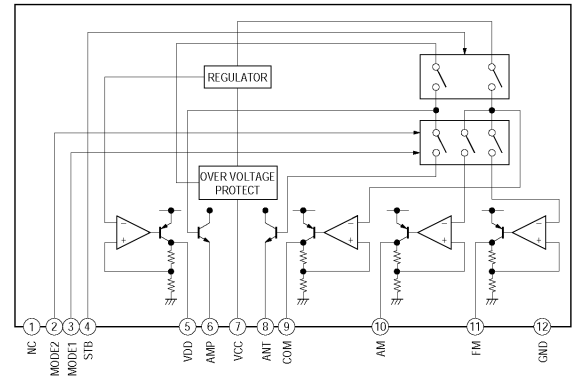


• IC Block Diagrams
– MAIN Section –

IC301 CXA2509AQ-T4

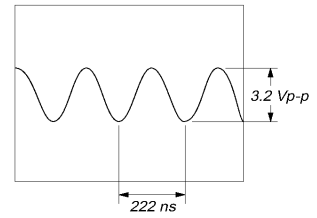


IC611 BA3918-V2

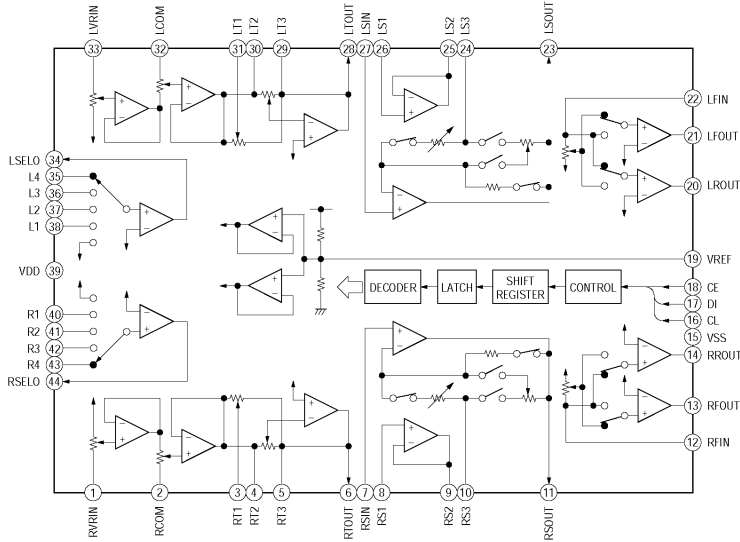


• Waveform
– MAIN Section –

① IC501 (X-IN)



IC331 LC75373ED



IC351 MM1322XFBE

