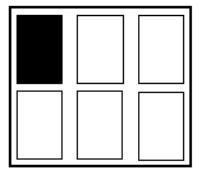
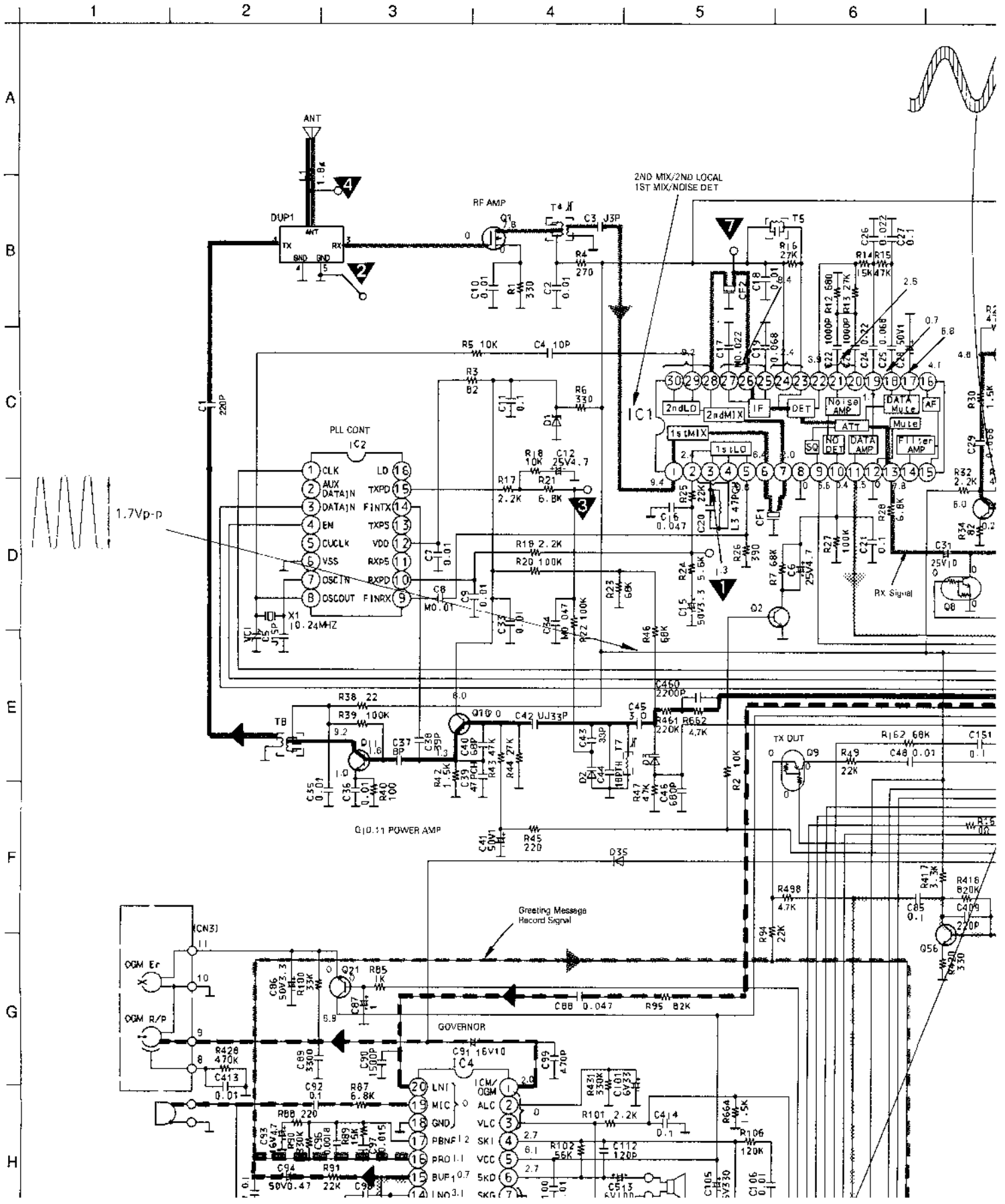
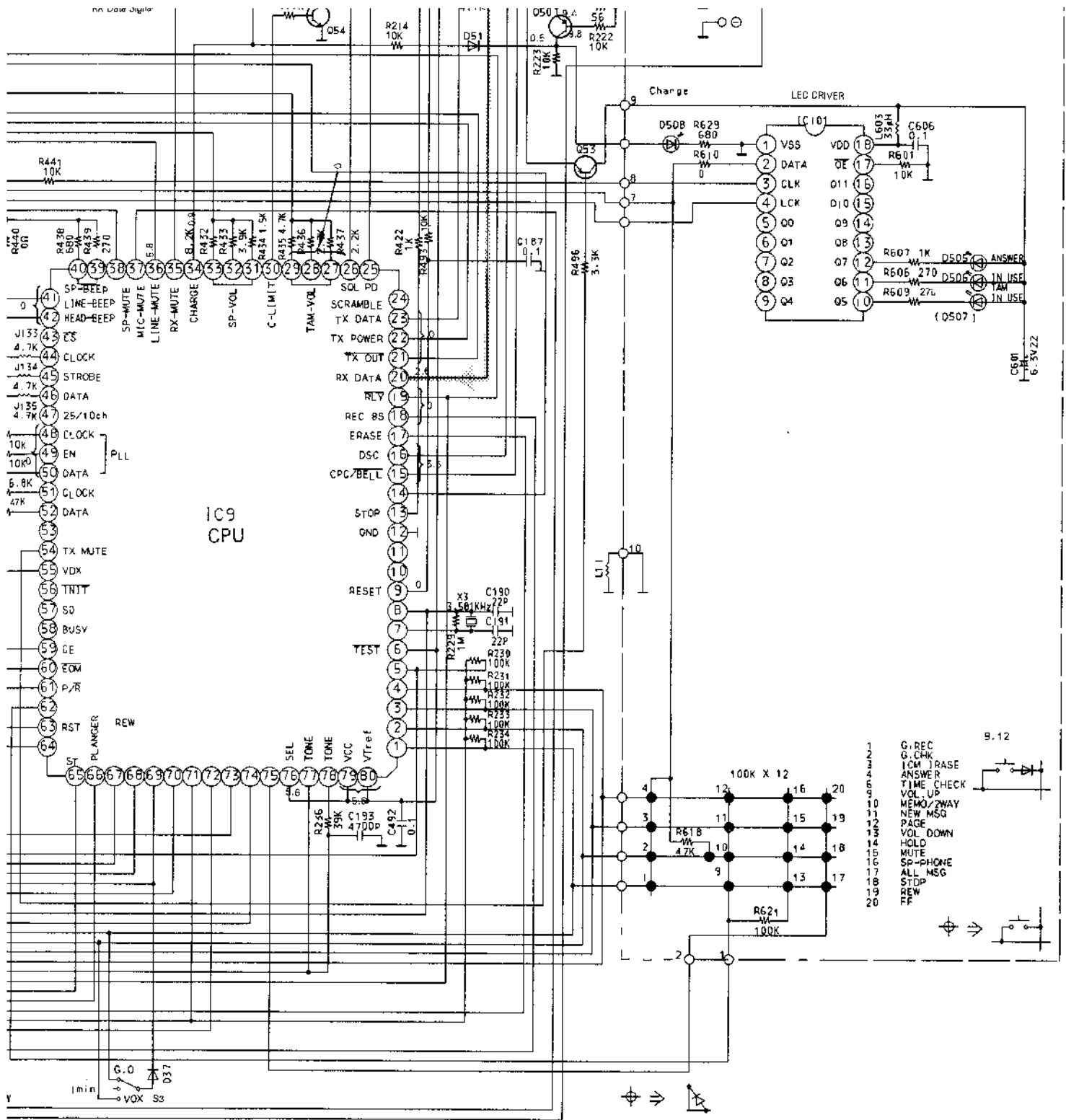
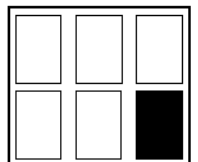


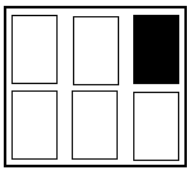
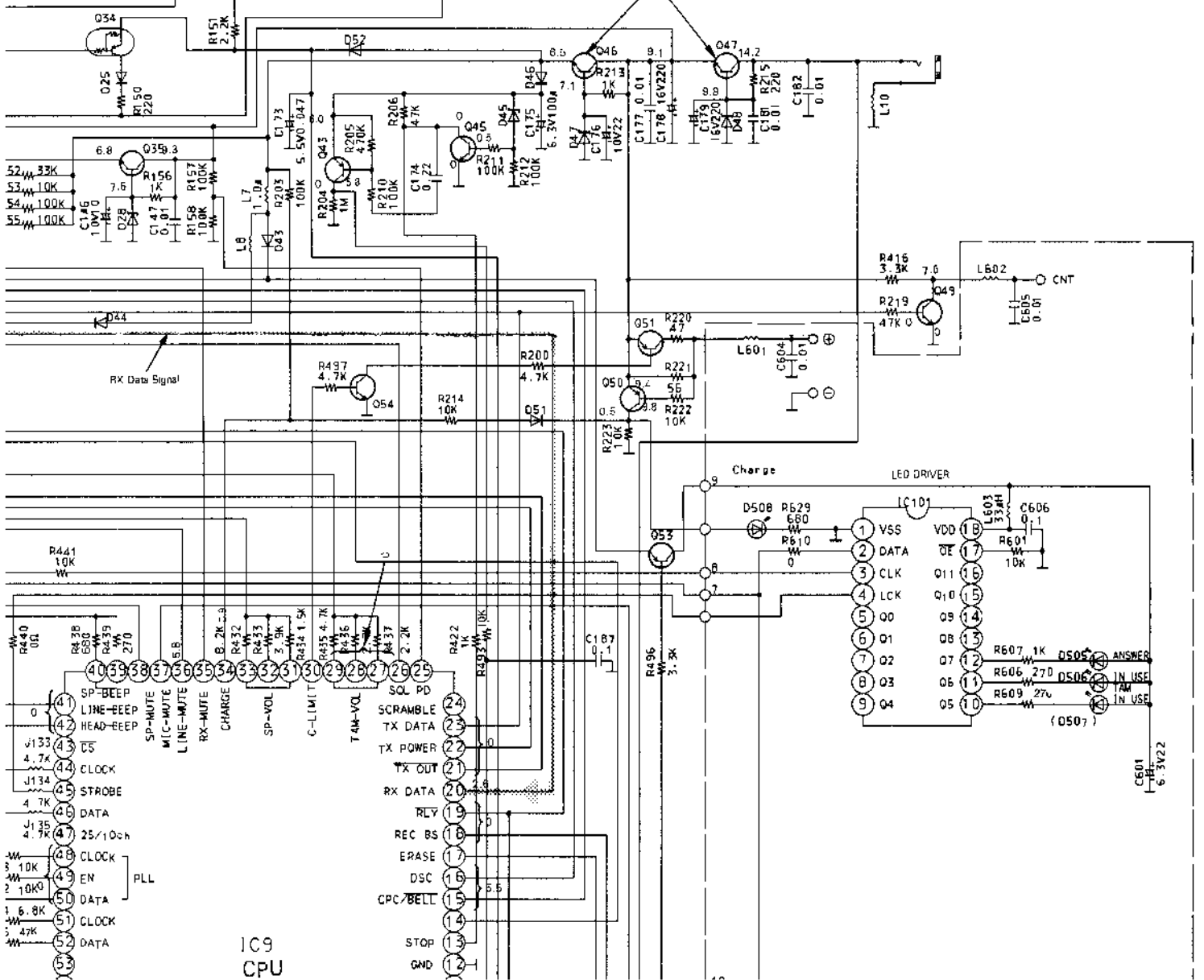
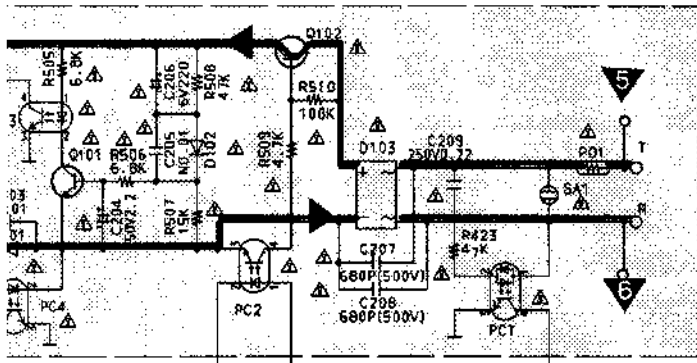
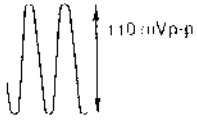
Схема радиотелефона PANASONIC KX-T4340

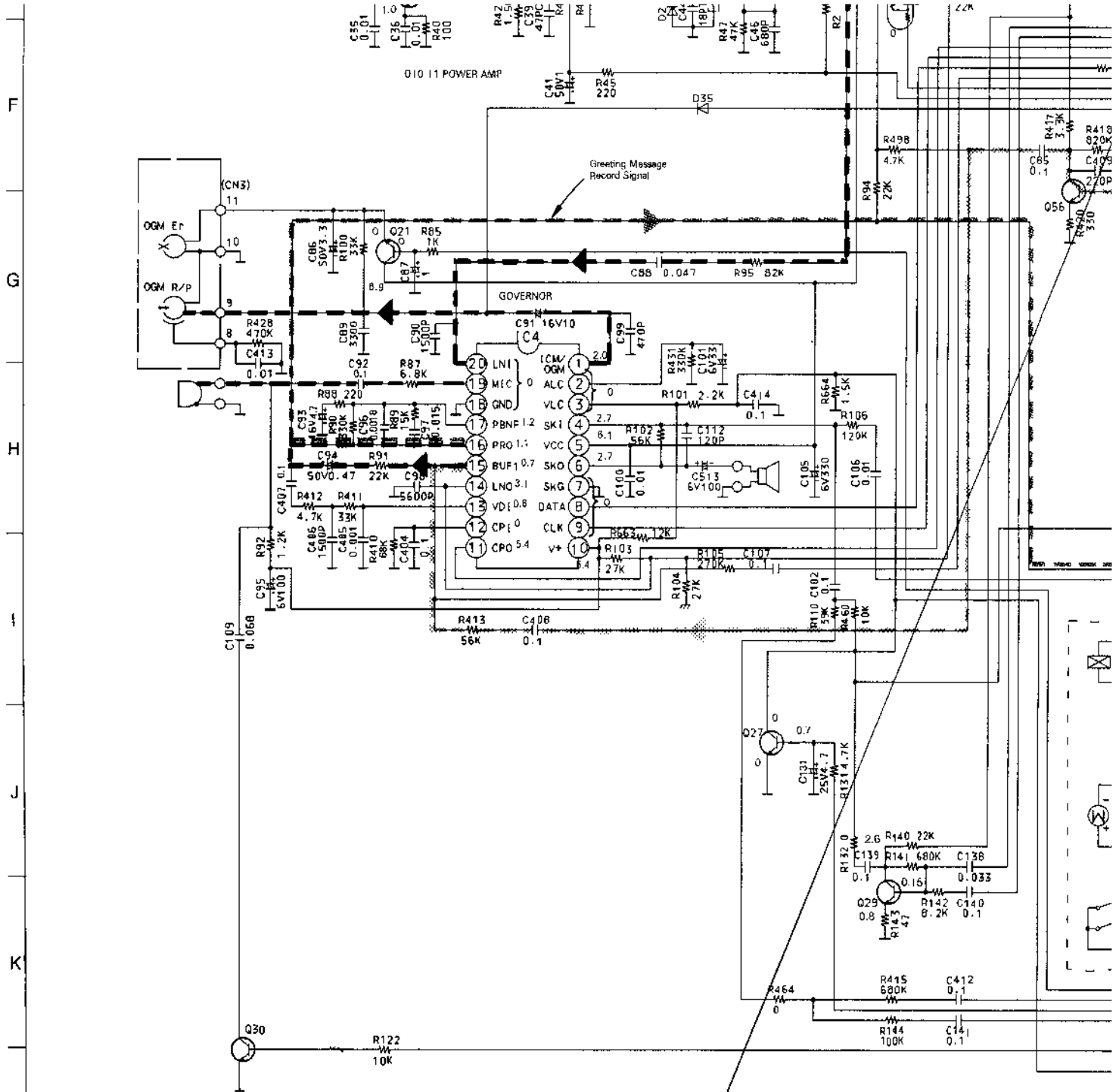




schematic diagram may be modified
 time with development of new
 ogy.



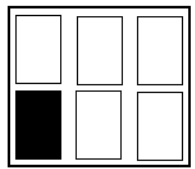


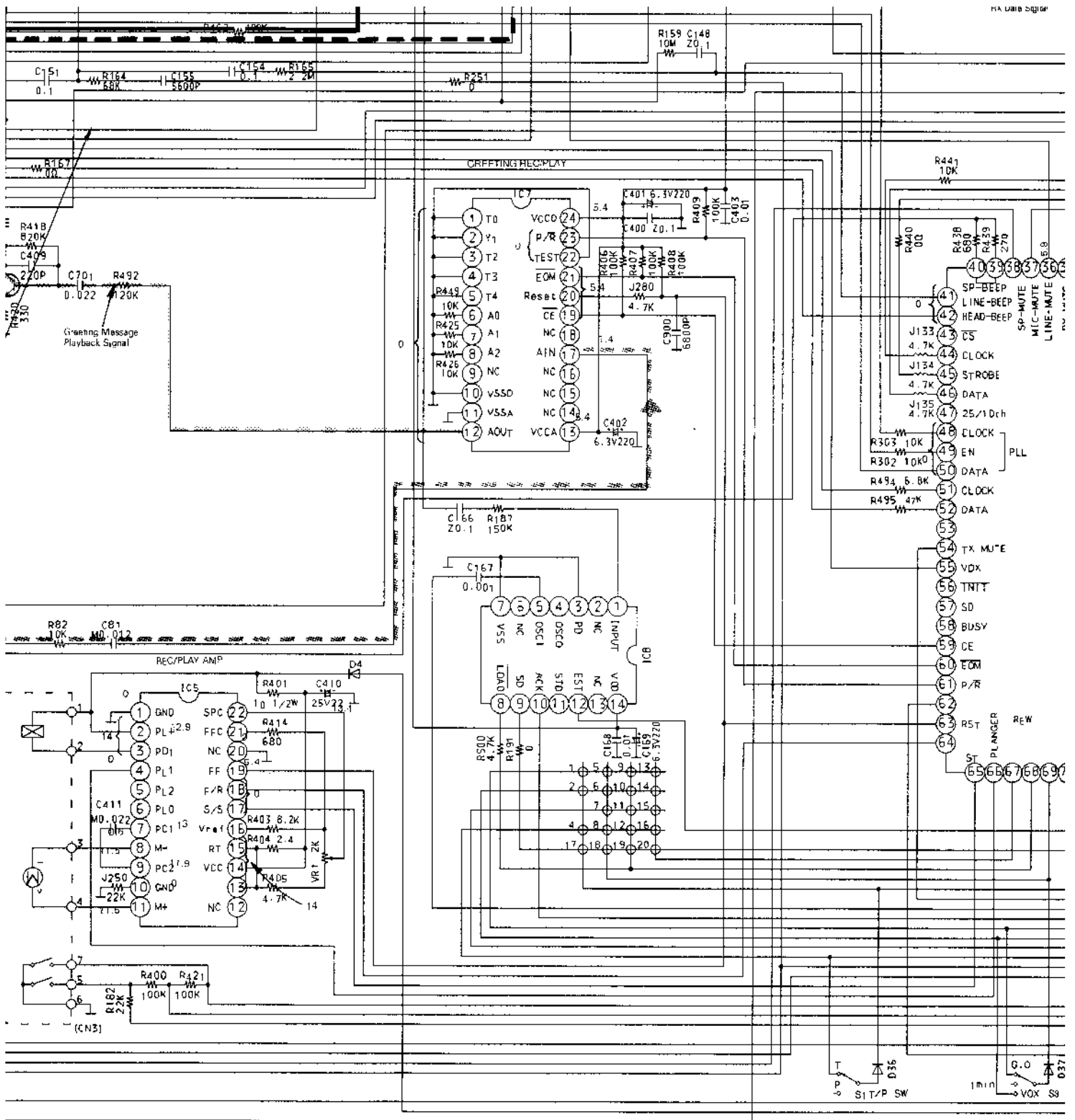


F
G
H
J
K
L
M

Notes:

- | | | | |
|---------------------------------------|--|------------------------------|-------|
| 1. S1: Dialing Mode Selector Switch | 6. S602: Volume (Down) Selector Switch | 11. S610: All Message Switch | 16. : |
| 2. S3: Recording Time Selector Switch | 7. S605: Greeting Record switch | 12. S611: Stop Switch | 17. : |
| 3. S101: Reed Switch | 8. S606: Greeting Check Switch | 13. S613: Memo/2Way Switch | 18. I |
| 4. S102: Position Switch | 9. S607: ICM Erase Switch | 14. S614: FF/Skip Switch | |
| 5. S601: Volume (Up) Selector Switch | 10. S609: Answer On Switch | 15. S615: Rew/Repeat Switch | |





- 16. S616: New Message Switch
- 17. S617: Pae/Intercom Switch
- 18. DC voltage measurements are taken with voltmeter from the negative voltage line.

Important Safety Notice

The shaded area on this schematic diagram incorporates special features important for protection from fire and electrical shock hazards.

When servicing, it is essential that only manufacturer's specified parts be used for the critical components in the shaded areas of the schematic.

This schematic diagram may at any time with development technology.

