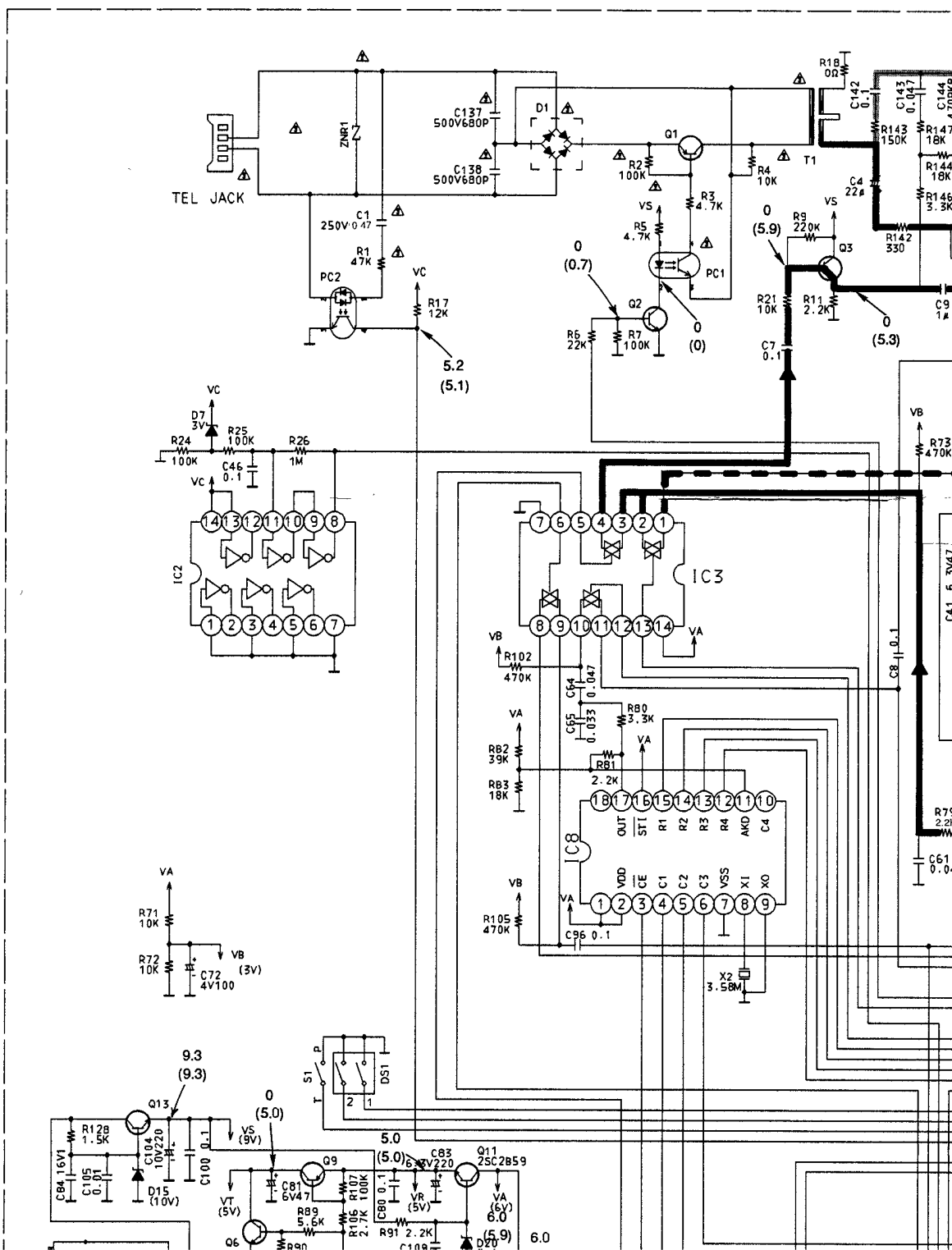
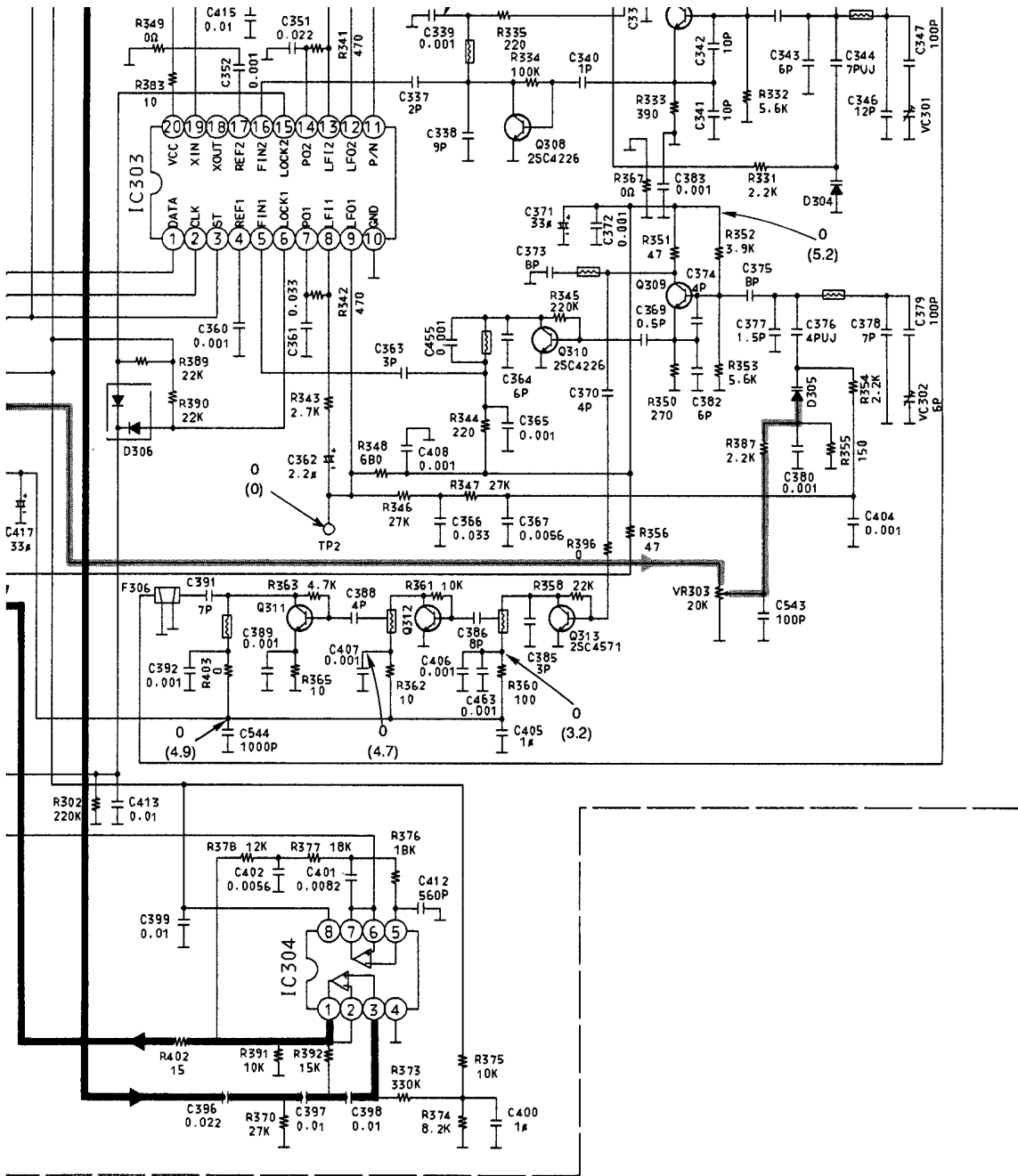
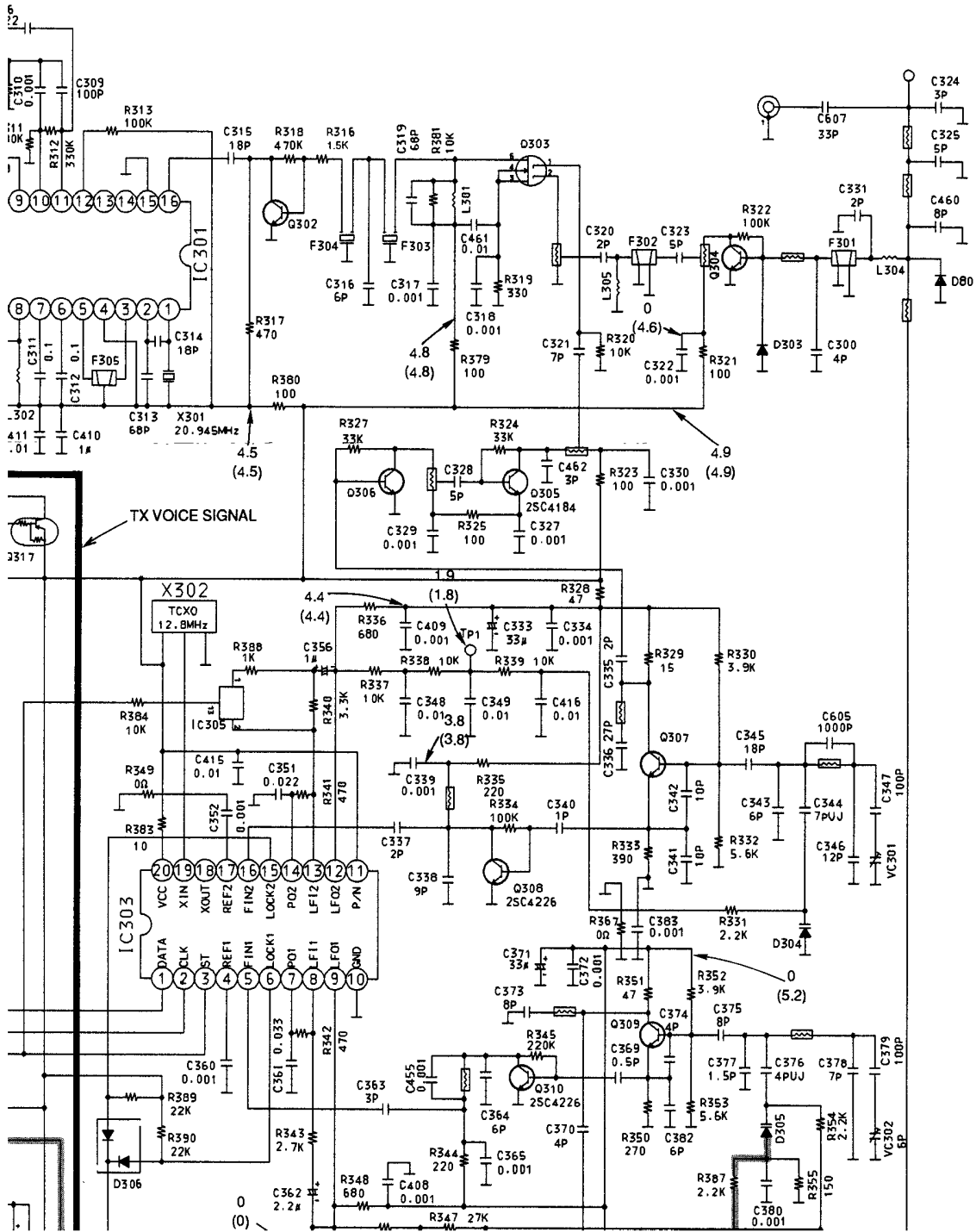
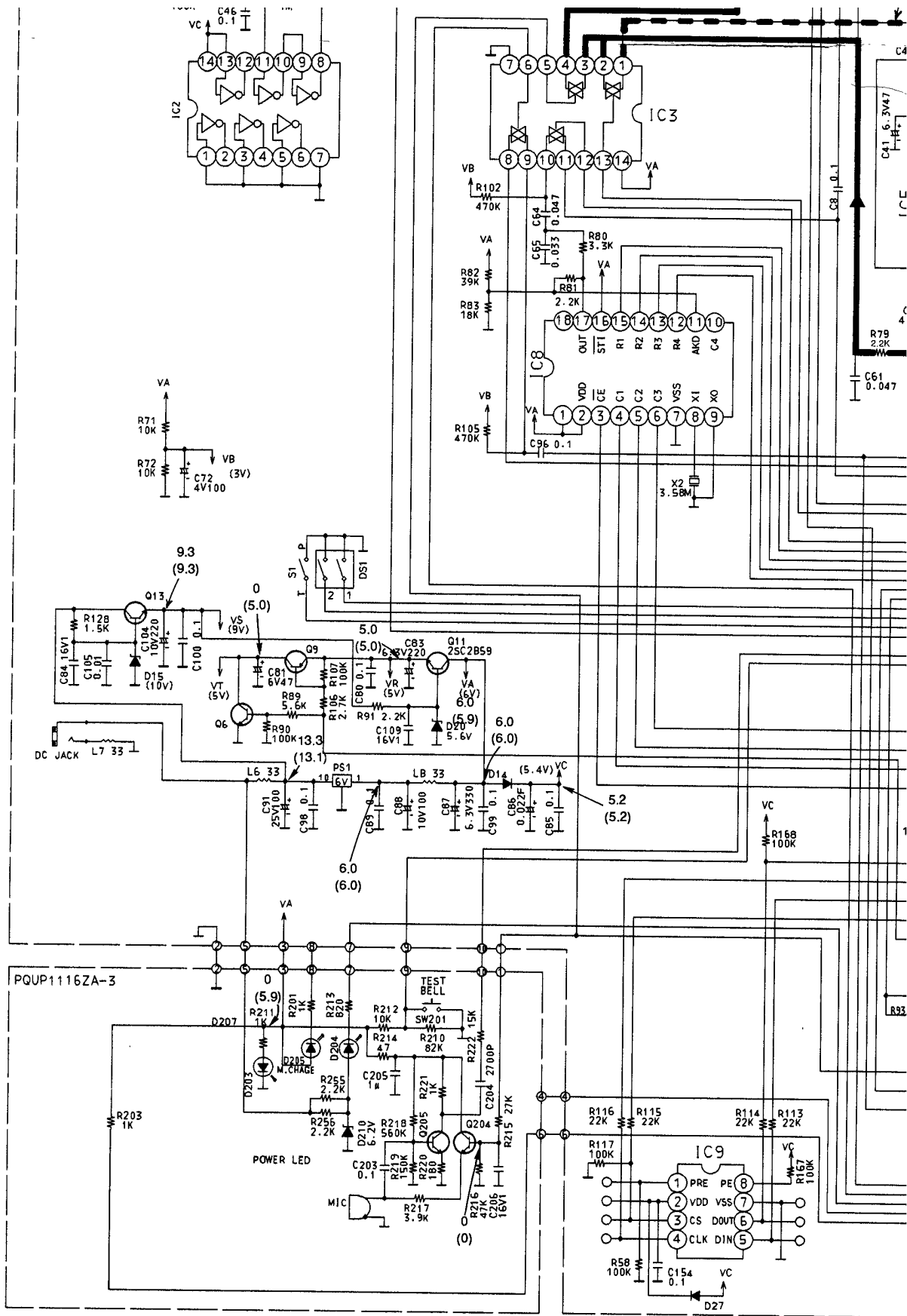


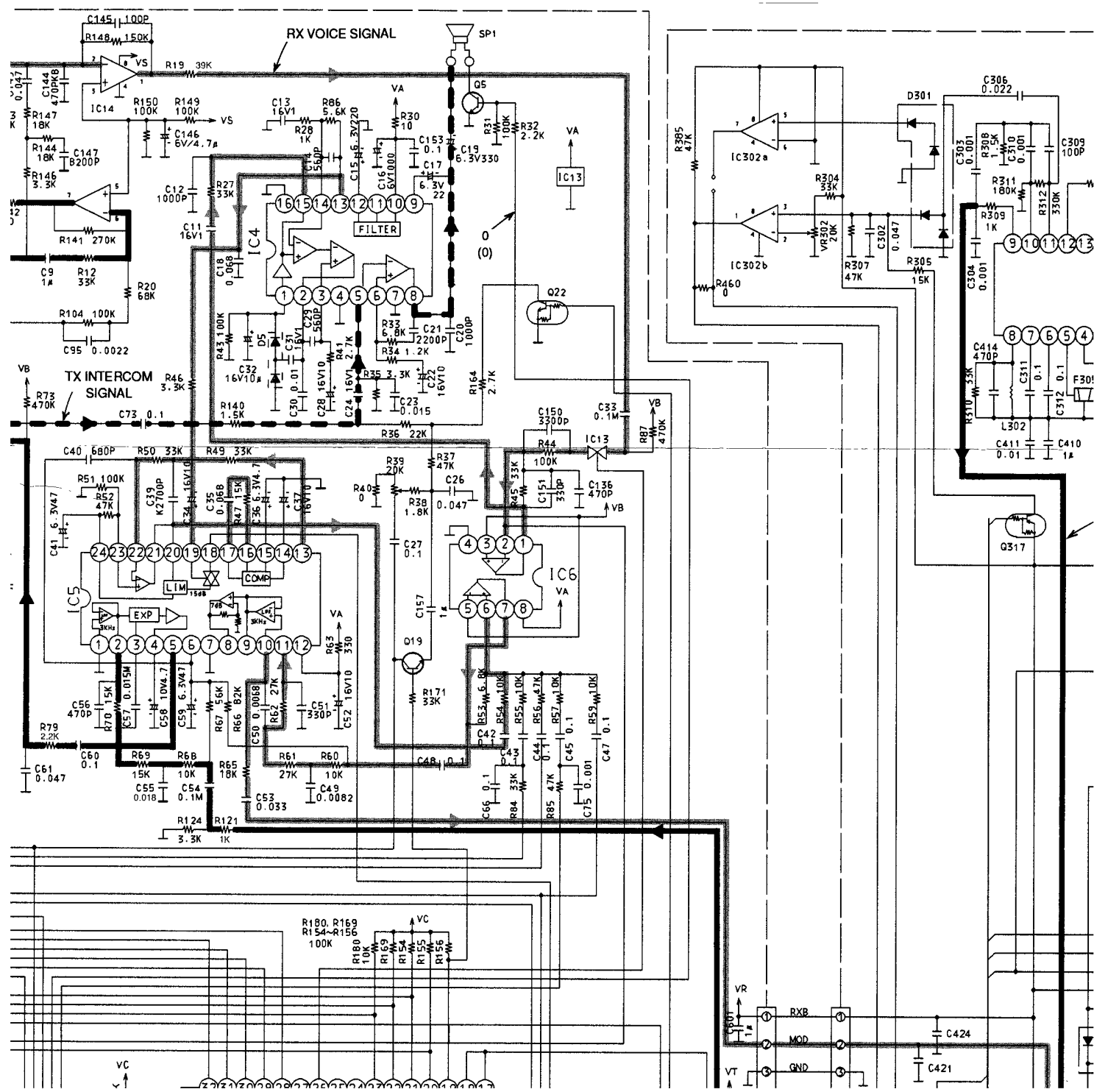
Схема радиотелефона PANASONIC KX-T7980-BX

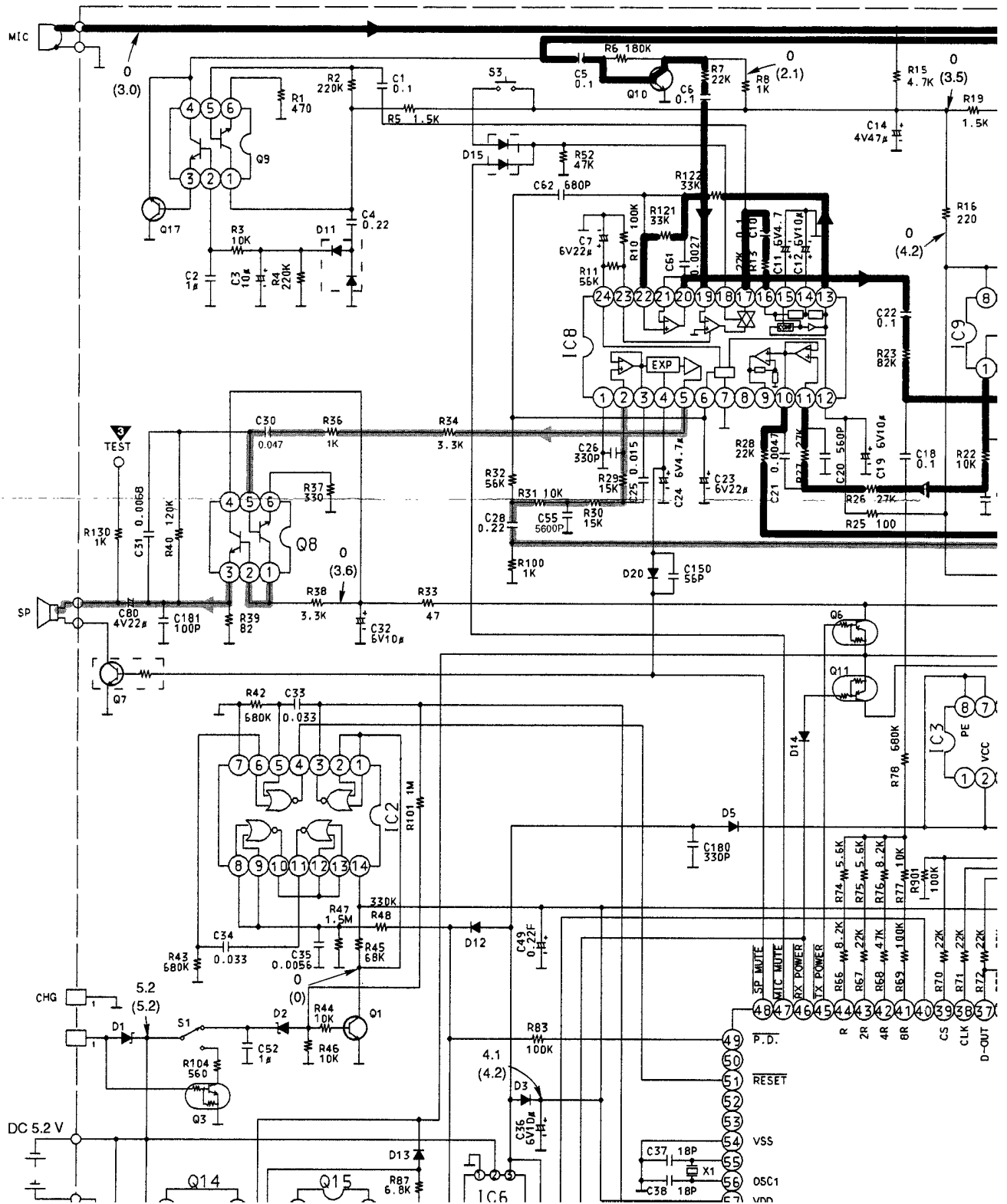


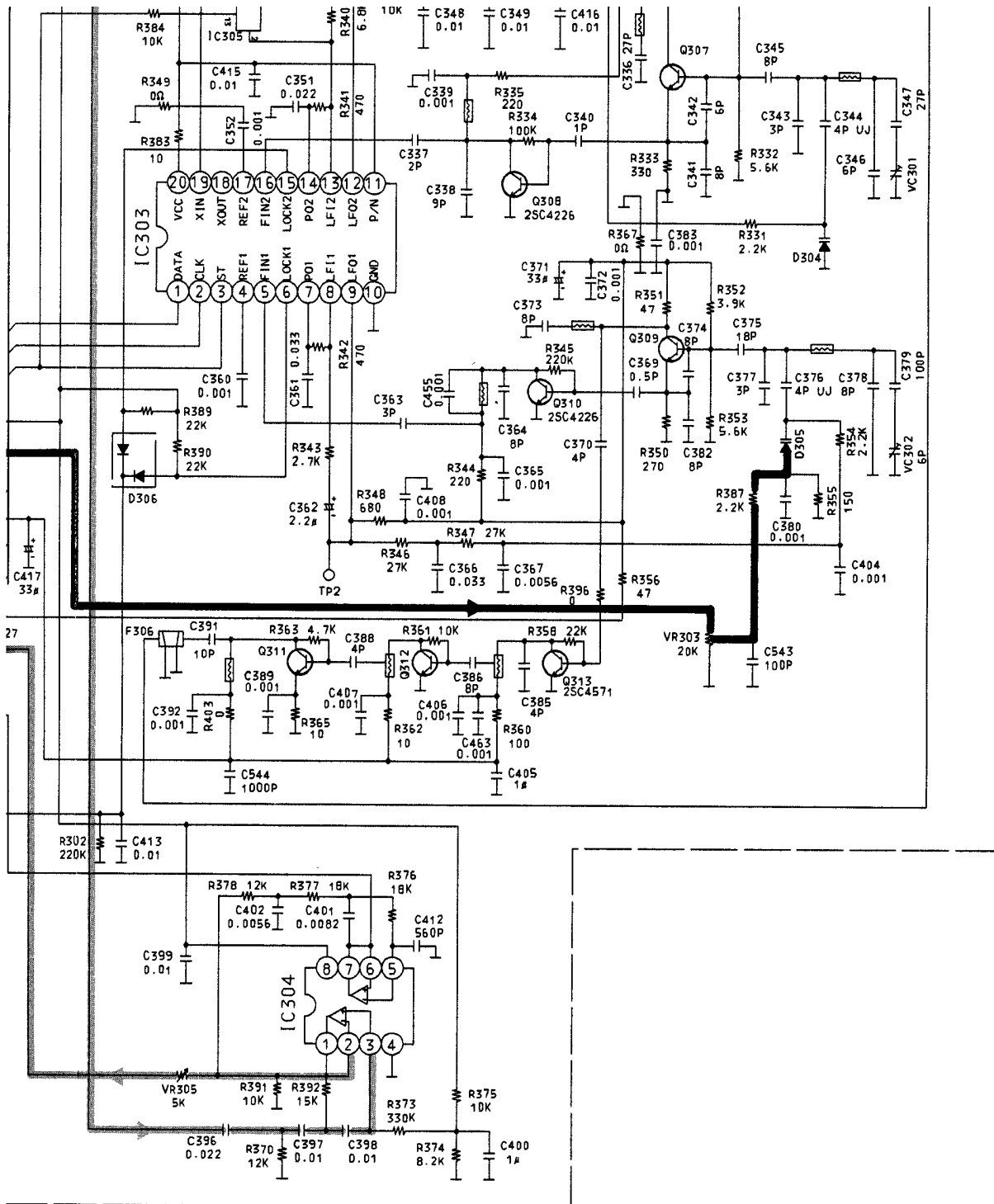


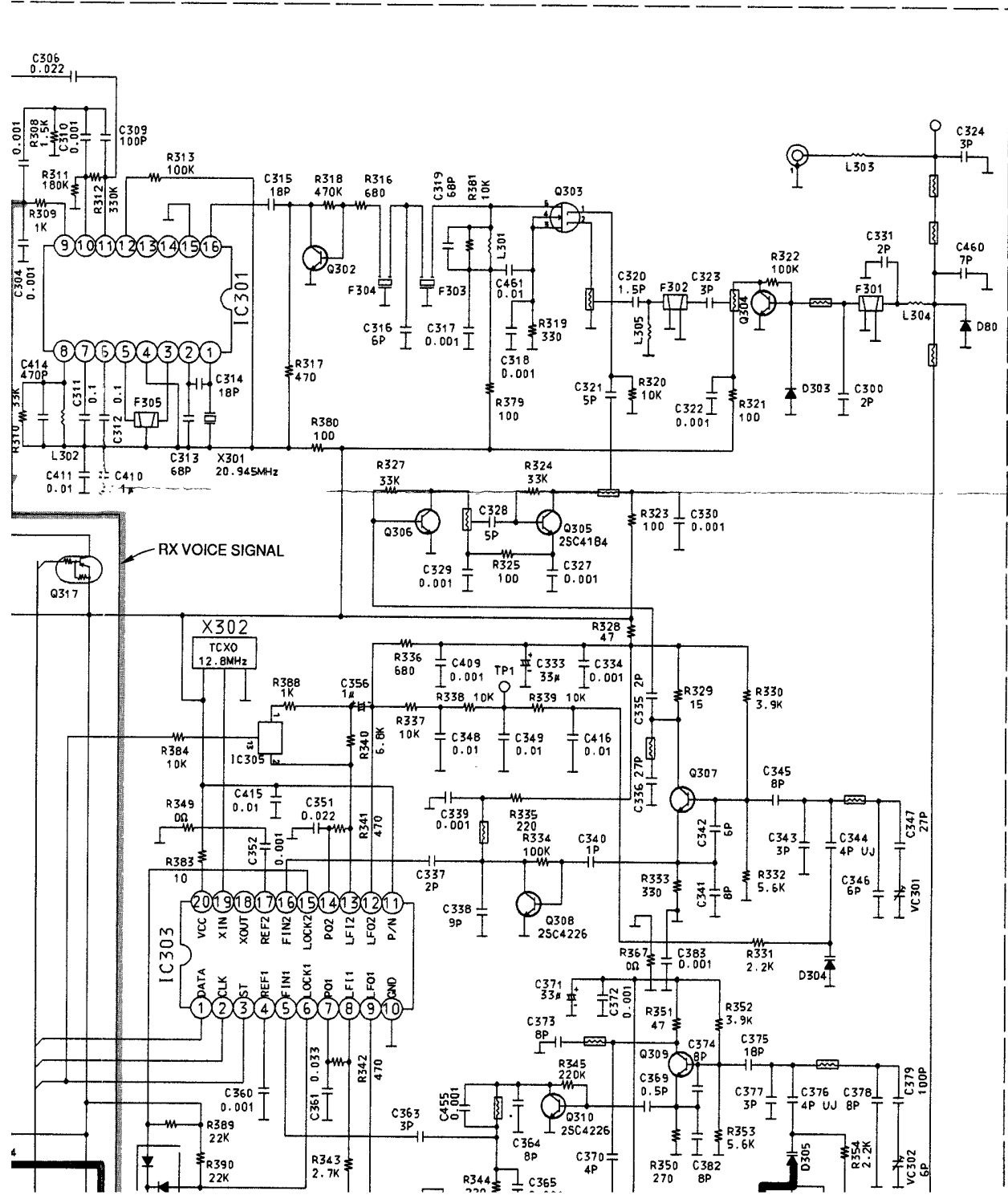


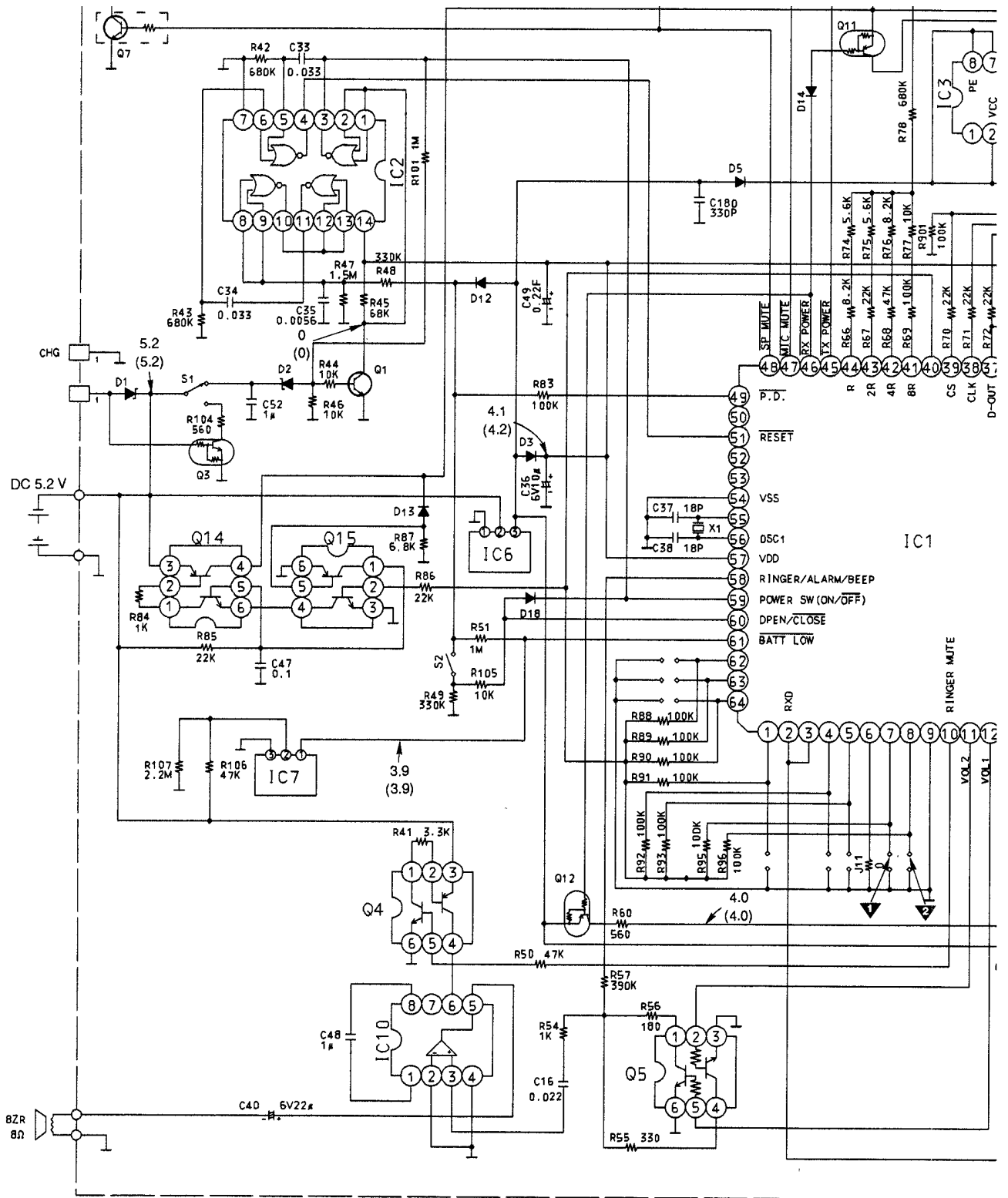


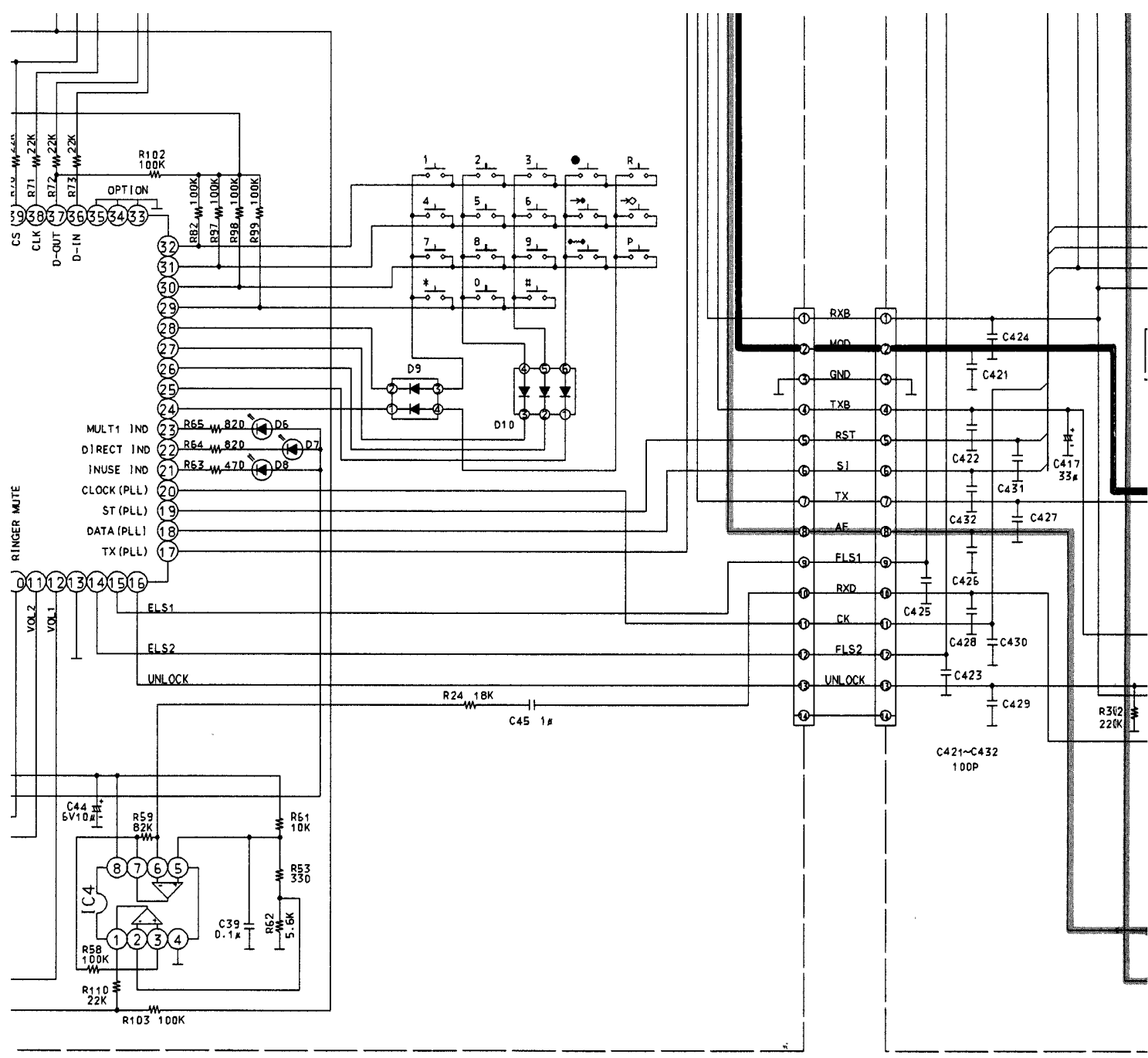












RINGER MUTE

CS
CLK
D-OUT
D-IN

MULT1 IND
DIRECT IND
INUSE IND
CLOCK (PLL)
ST (PLL)
DATA (PLL)
TX (PLL)

VOL.2
VOL.1

C44
R59
R61
R53
R62
C39
R58
R110
R103

R71
R72
R73
R82
R87
R96
R99

OPTION

32
31
30
29
28
27
26
25
24

D6
D7
D8

23
22
21

20
19
18
17

EL S1
EL S2
UNLOCK

R24
C45

IC4

8
7
6
5

4
3
2
1

R102
R82
R87
R96
R99

1
2
3
4
5
6
7
8
9
0
*

R
P

D9
D10

R65
R64
R63

1
2
3
4
5
6
7
8
9
0
*

R
P

RXB
MOD
GND
TXB
RST
SJ
TX
AE
FLS1
RXD
CK
FLS2
UNLOCK

C424
C421
C422
C431
C432
C427
C426
C425
C428
C430
C423
C429

C421-C432
100P

C417
33μ

R302
22K

