

IC8 CPU

1	2	3	4	5	6	7	8	9	10	11	12	13	14	15	16	17	18	19	20	21	22	23	24	25	26	27	28	29	30
KEY SCAN	KEY SCAN	KEY SCAN	KEY SCAN	KEY SCAN	KEY SCAN	KEY SCAN	KEY SCAN	KEY SCAN	KEY SCAN	KEY SCAN	KEY SCAN	KEY SCAN	KEY SCAN	KEY SCAN	KEY SCAN	KEY SCAN	KEY SCAN	KEY SCAN	KEY SCAN	KEY SCAN	KEY SCAN	KEY SCAN	KEY SCAN	KEY SCAN	KEY SCAN	KEY SCAN	KEY SCAN	KEY SCAN	KEY SCAN

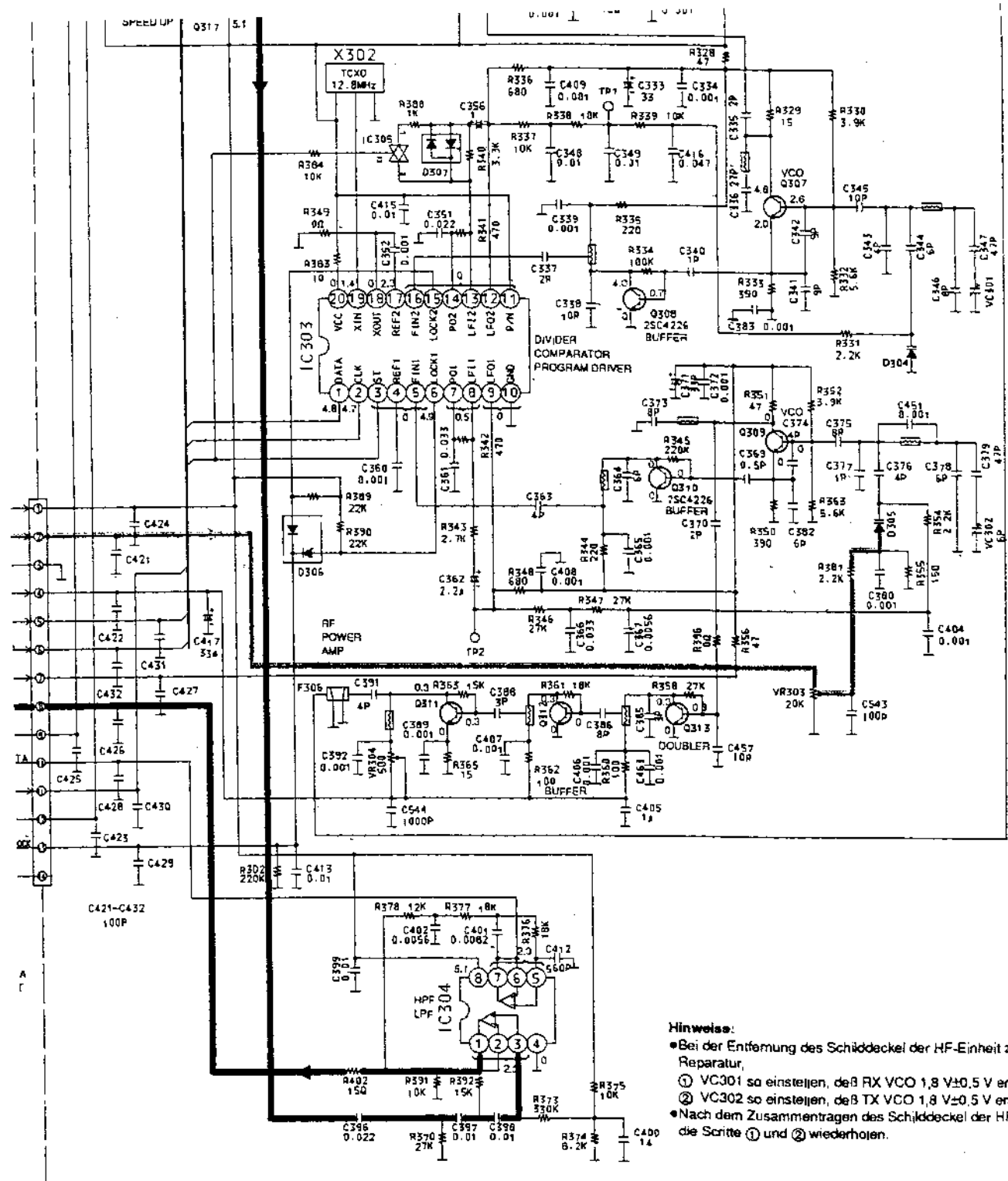
Legend:

- ① DIAL PULSE
- ② NSA
- ③ MIC MUTE
- ④ SP-MUTE
- ⑤ PLL-CLK
- ⑥ PLL-ST

Pinout Details:

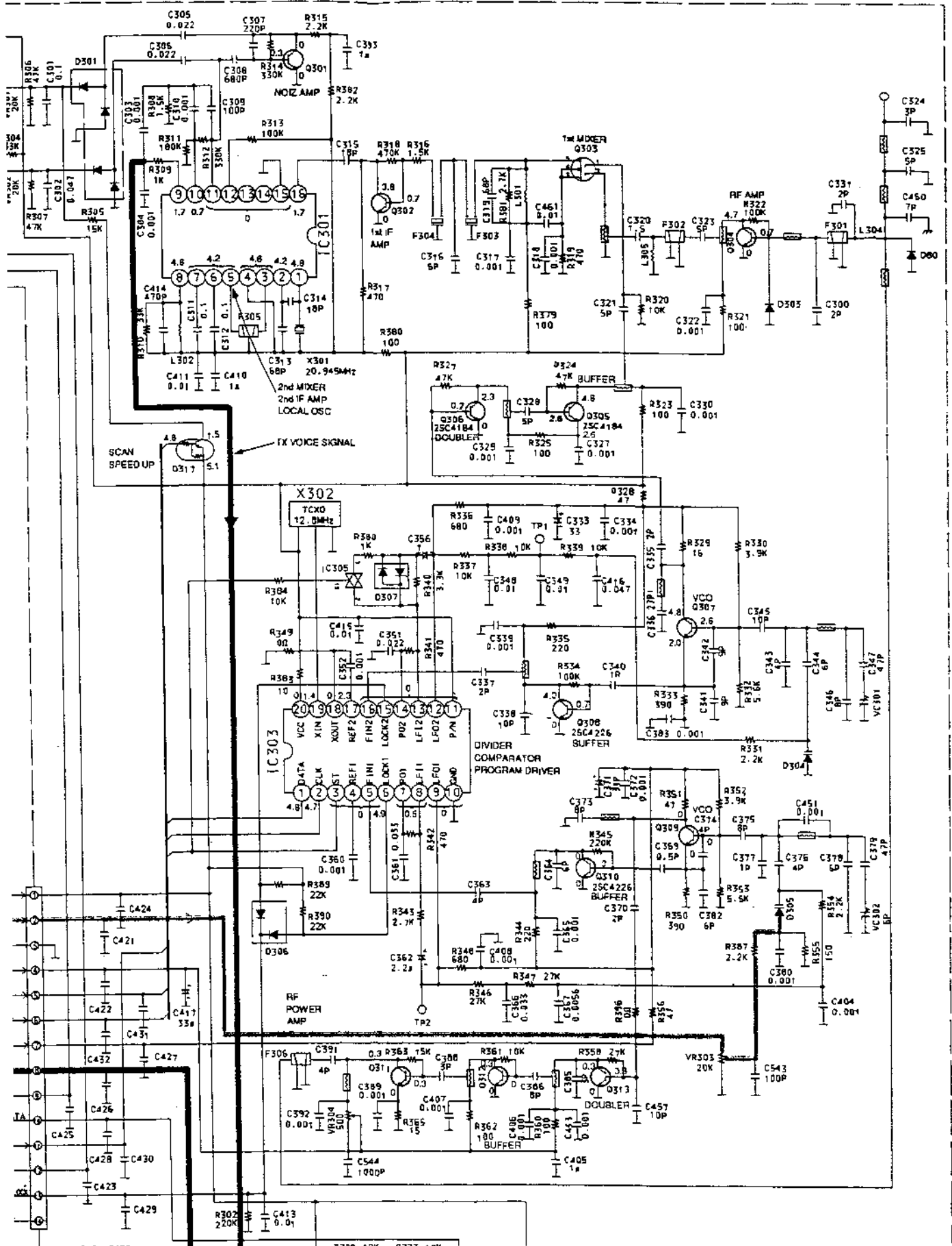
- 1: KEY SCAN
- 2: KEY SCAN
- 3: KEY SCAN
- 4: KEY SCAN
- 5: KEY SCAN
- 6: KEY SCAN
- 7: KEY SCAN
- 8: KEY SCAN
- 9: KEY SCAN
- 10: KEY SCAN
- 11: KEY SCAN
- 12: KEY SCAN
- 13: KEY SCAN
- 14: KEY SCAN
- 15: KEY SCAN
- 16: KEY SCAN
- 17: KEY SCAN
- 18: KEY SCAN
- 19: KEY SCAN
- 20: KEY SCAN
- 21: KEY SCAN
- 22: KEY SCAN
- 23: KEY SCAN
- 24: KEY SCAN
- 25: KEY SCAN
- 26: KEY SCAN
- 27: KEY SCAN
- 28: KEY SCAN
- 29: KEY SCAN
- 30: KEY SCAN

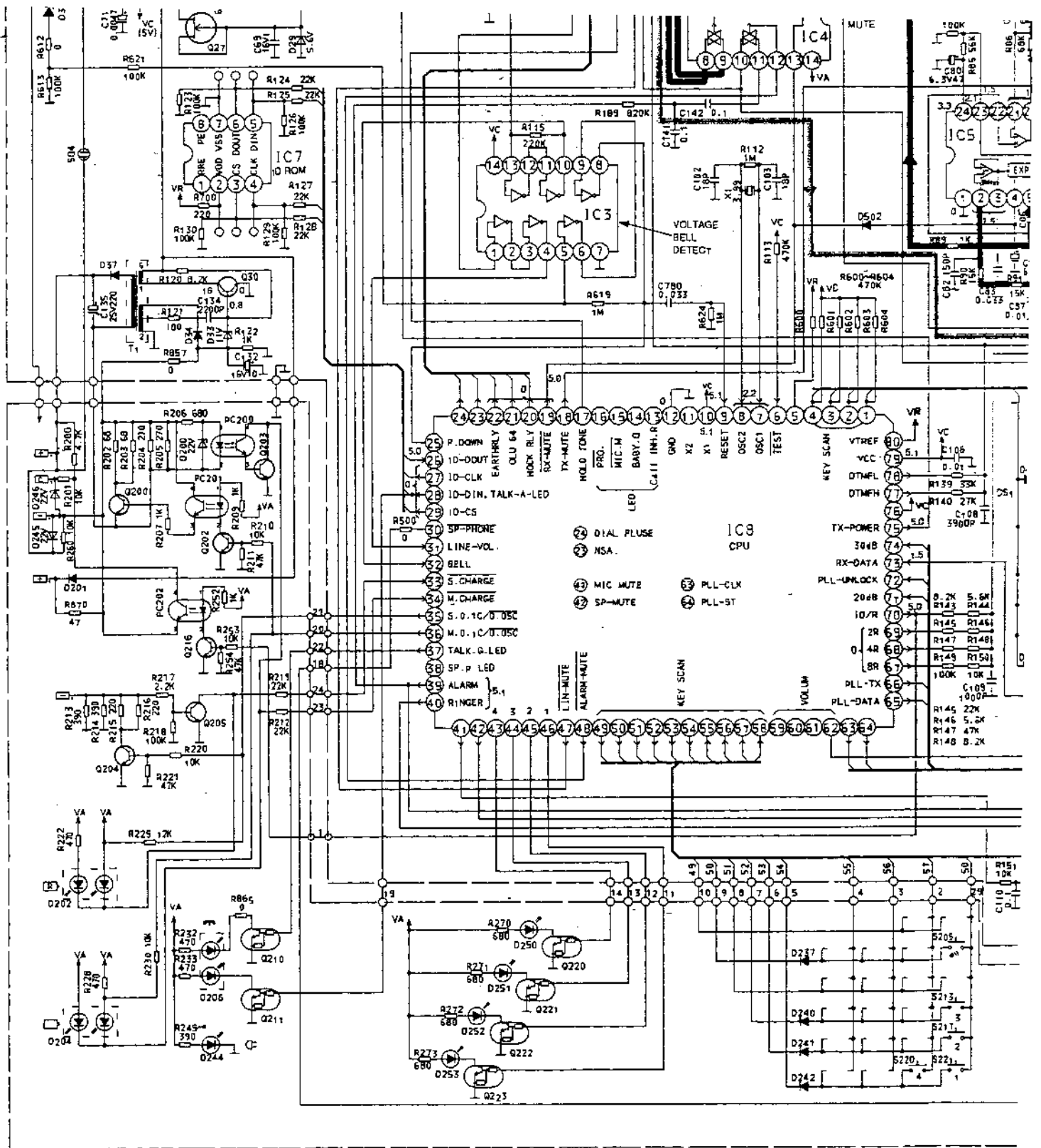
SPEED UP Q317 5.1



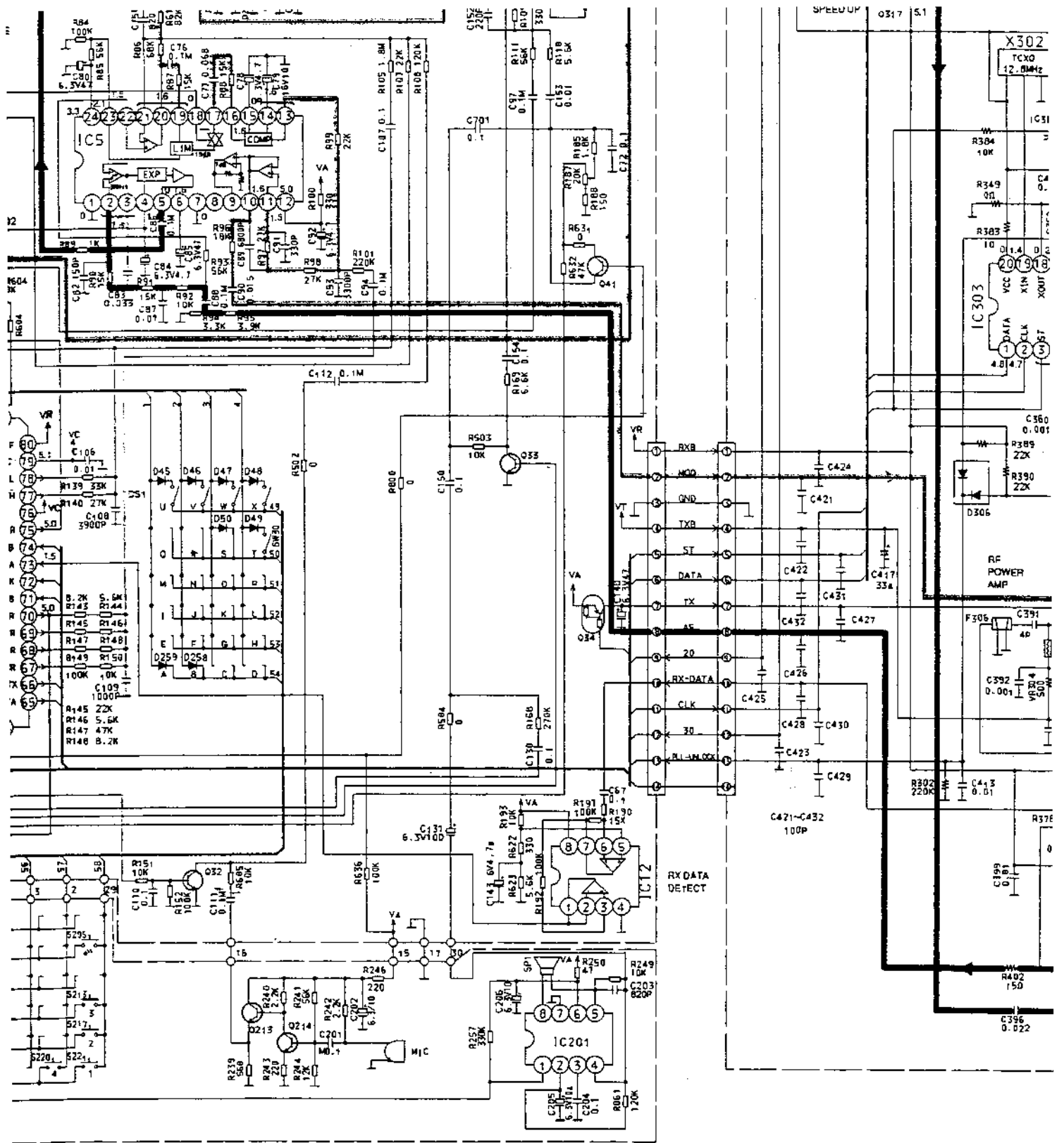
Hinweise:

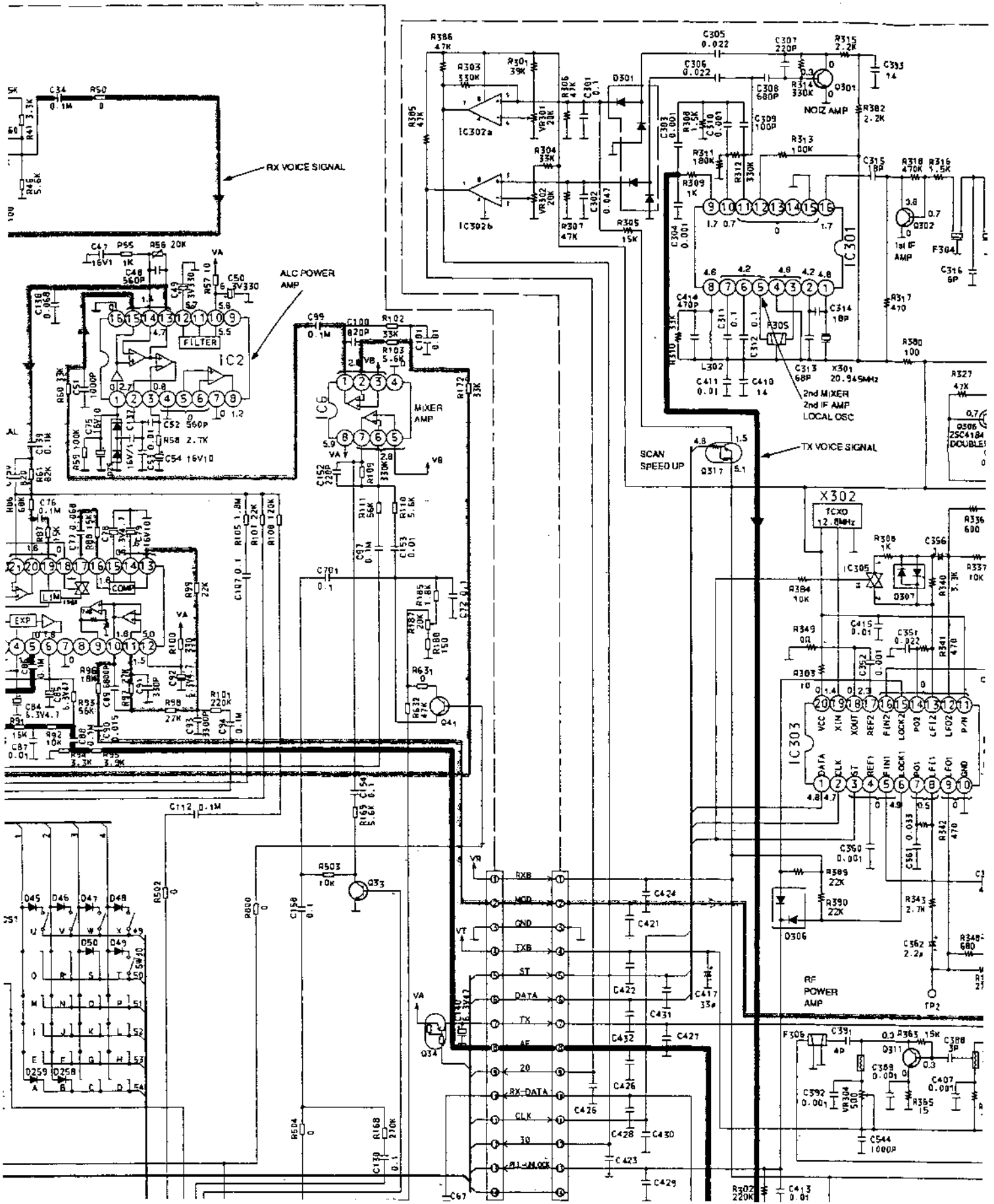
- Bei der Entfernung des Schildeckel der HF-Einheit zum Reparatur,
 - ① VC301 so einstellen, daß RX VCO 1,8 V±0,5 V erreicht.
 - ② VC302 so einstellen, daß TX VCO 1,8 V±0,5 V erreicht.
- Nach dem Zusammentragen des Schildeckel der HF-Einheit die Schritte ① und ② wiederholen.

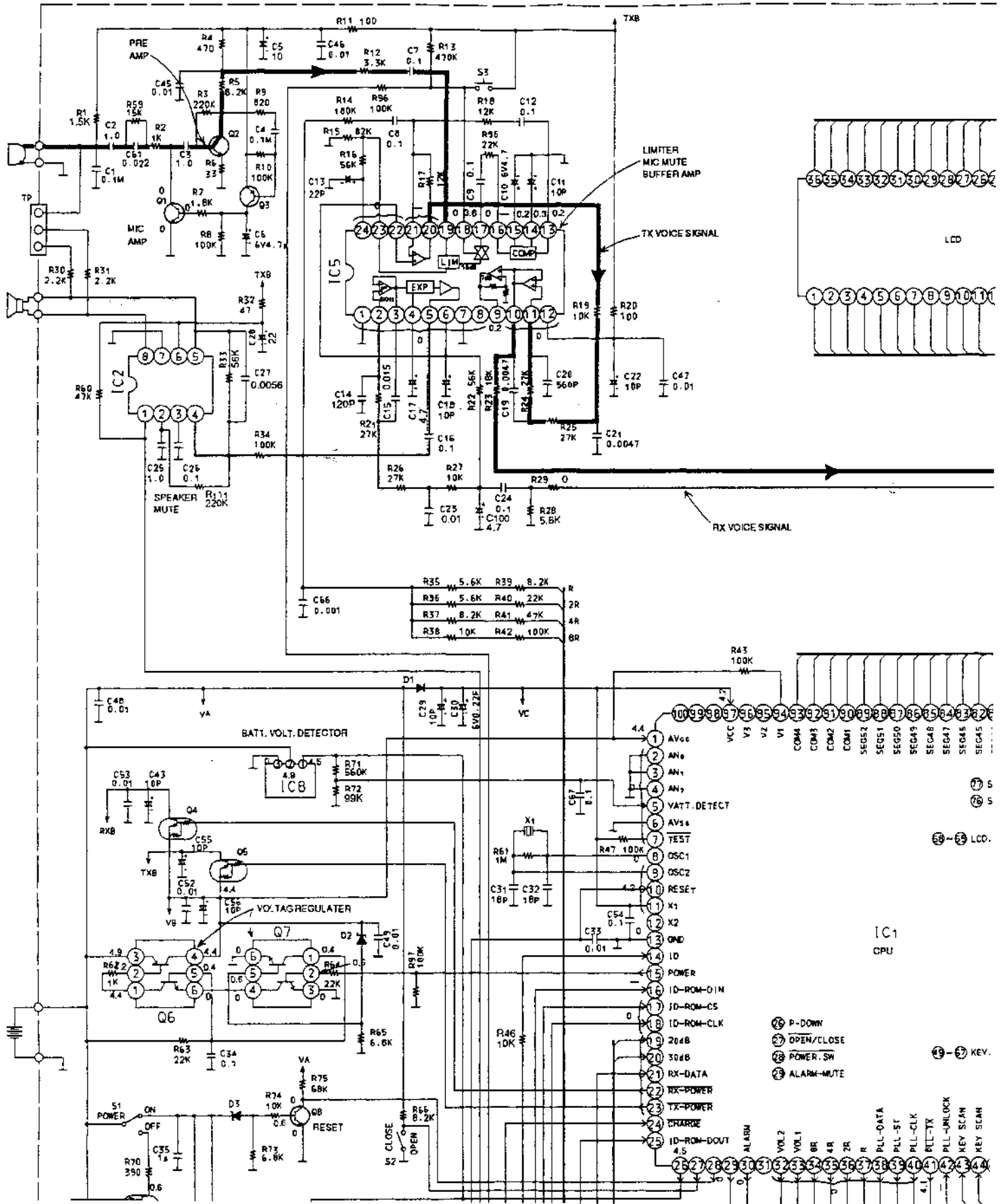




- 1 P. DOWN
 2 10-OUT
 3 10-CLK
 4 10-DIN, TALK-A-LED
 5 10-CS
 6 SP-PHONE
 7 LINE-VOL.
 8 BELL
 9 S. CHARGE
 10 M. CHARGE
 11 S. 0.1C/0.05C
 12 M. D. C/0.05C
 13 TALK-G. LED
 14 SP-P. LED
 15 ALARM
 16 RINGER
 17
 18
 19
 20
 21
 22
 23
 24
 25
 26
 27
 28
 29
 30
 31
 32
 33
 34
 35
 36
 37
 38
 39
 40
 41
 42
 43
 44
 45
 46
 47
 48
 49
 50
 51
 52
 53
 54
 55
 56
 57
 58
 59
 60
 61
 62
 63
 64
- P. DOWN
 EARTHLY
 OLU 04
 10-OUT
 10-CLK
 10-DIN, TALK-A-LED
 10-CS
 SP-PHONE
 LINE-VOL.
 BELL
 S. CHARGE
 M. CHARGE
 S. 0.1C/0.05C
 M. D. C/0.05C
 TALK-G. LED
 SP-P. LED
 ALARM
 RINGER
- DIAL FLUSE
 NSA
 MIC MUTE
 SP-MUTE
 PLL-CLK
 PLL-ST
- IC8 CPU



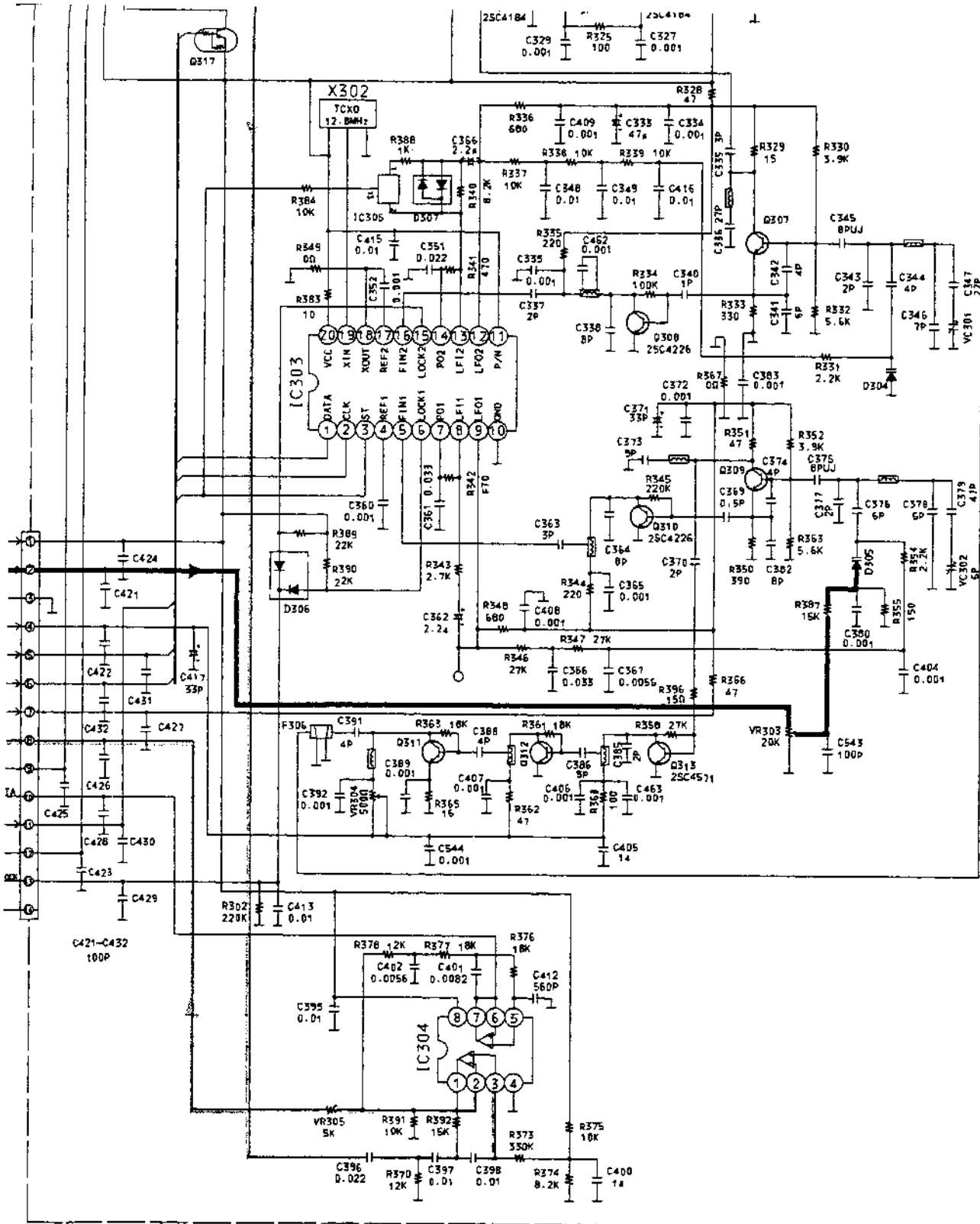


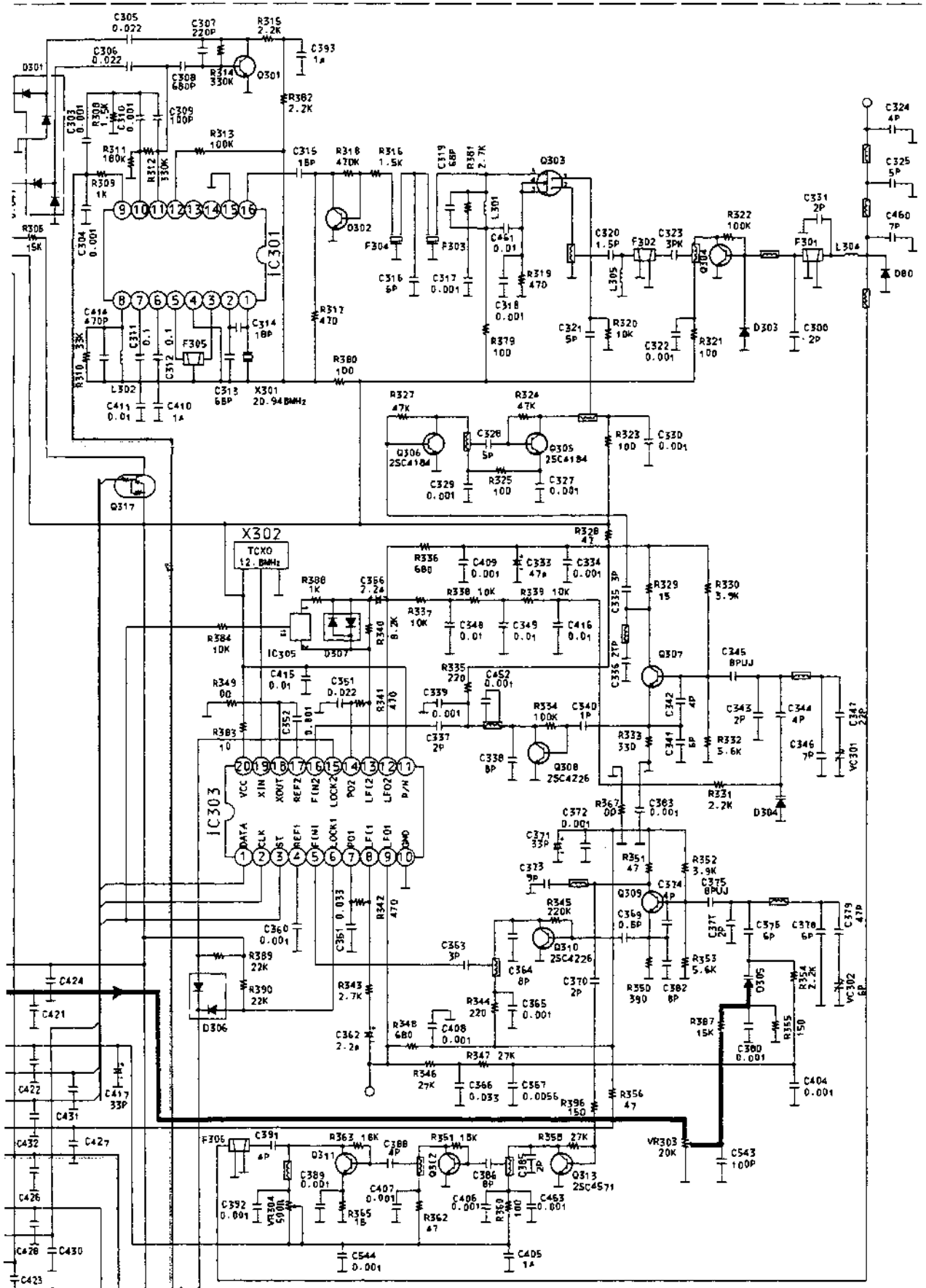


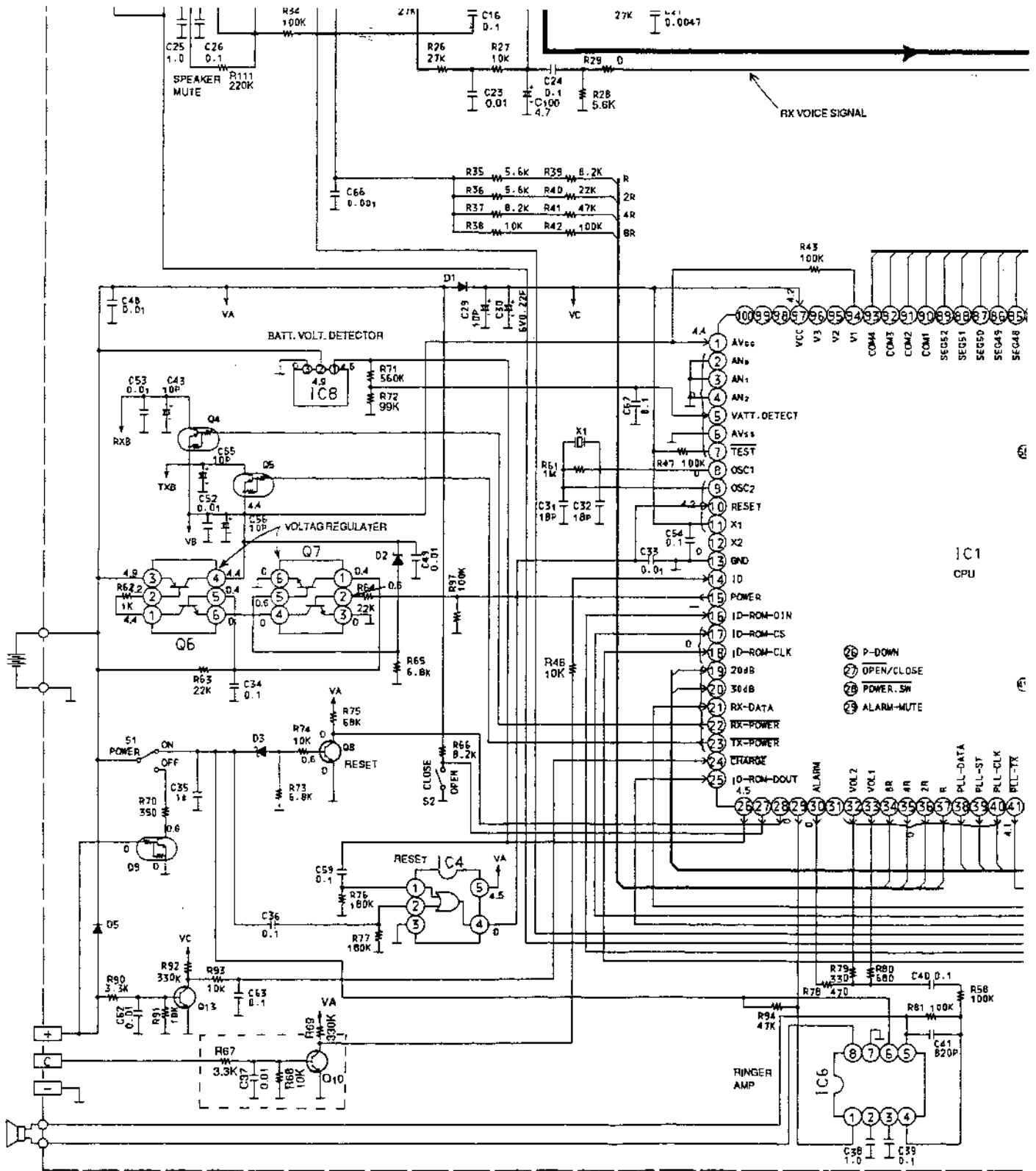
- ②⑨ P-DOWN
- ②⑦ OPEN/CLOSE
- ②⑧ POWER SW
- ④⑨-⑤⑦ KEY

- ① AVCC
- ② AN0
- ③ AN1
- ④ AN7
- ⑤ VATT. DETECT
- ⑥ AVS0
- ⑦ TEST
- ⑧ OSC1
- ⑨ OSC2
- ⑩ RESET
- ⑪ X1
- ⑫ X2
- ⑬ GND
- ⑭ IO
- ⑮ POWER
- ⑯ ID-ROM-DIN
- ⑰ ID-ROM-CS
- ⑱ ID-ROM-CLK
- ⑲ 20dB
- ⑳ 30dB
- ㉑ RX-DATA
- ㉒ RX-POWER
- ㉓ TX-POWER
- ㉔ CHARGE
- ㉕ ID-ROM-DOUT

- ②⑤ VOL2
- ②⑥ VOL1
- ②⑦ BR
- ②⑧ 4R
- ②⑨ 2R
- ③① R
- ③② PLL-DATA
- ③③ PLL-ST
- ③④ PLL-CLK
- ③⑤ PLL-TX
- ③⑥ PLL-UNLOCK
- ③⑦ KEY SCAN
- ③⑧ KEY SCAN
- ③⑨
- ④①
- ④②
- ④③
- ④④

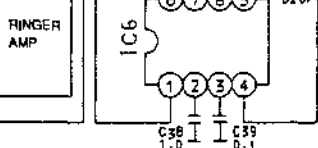






IC1
CPU

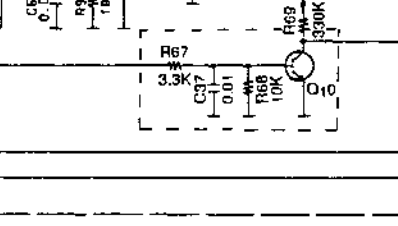
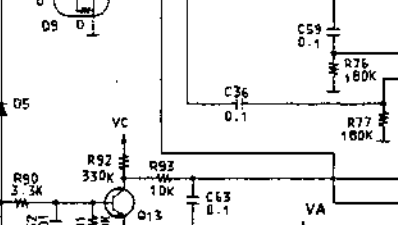
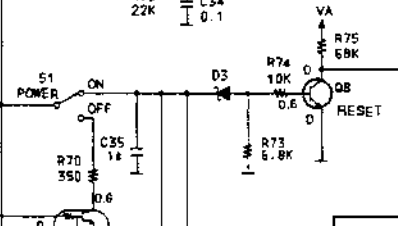
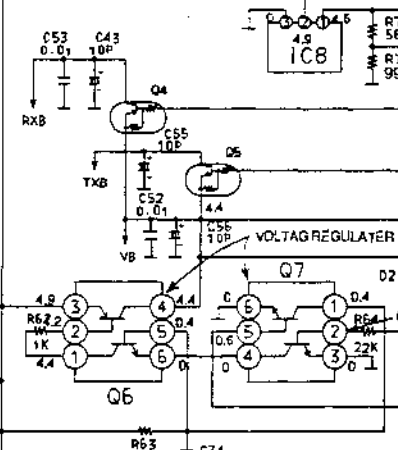
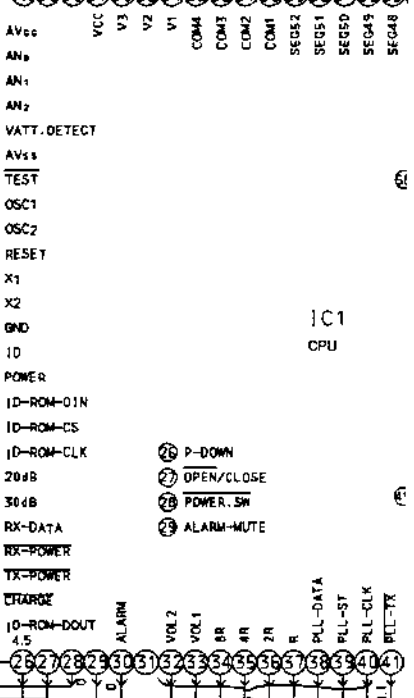
FINGER
AMP

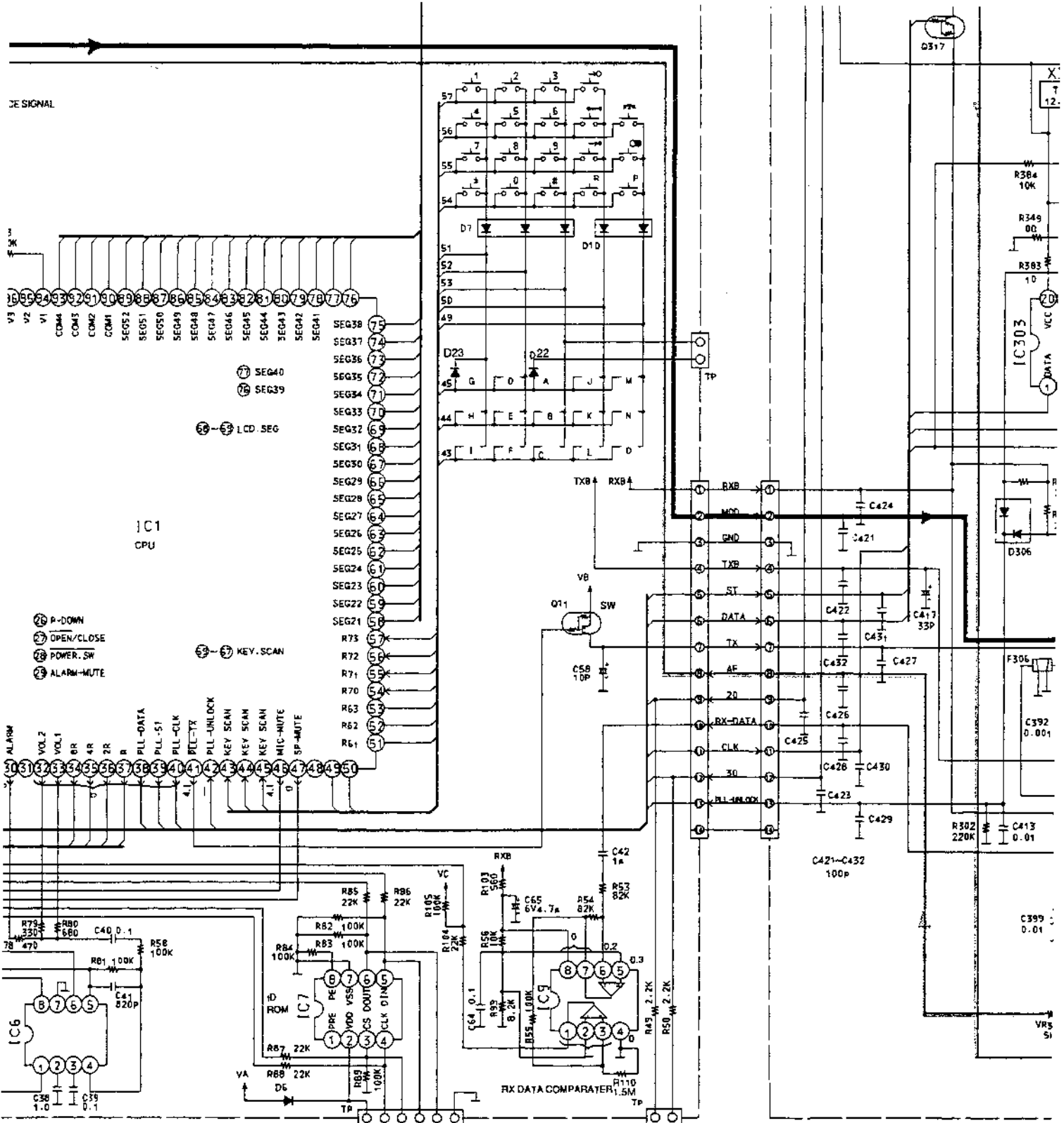


BATT. VOLT. DETECTOR

VOLTAGE REGULATOR

RESET





DE SIGNAL

IC1
CPU

RX DATA COMPARATOR
1.5M

- Ⓟ P-DOWN
- Ⓟ OPEN/CLOSE
- Ⓟ POWER_SW
- Ⓟ ALARM-MUTE

Ⓟ-Ⓟ KEY_SCAN

Ⓟ-Ⓟ LCD_SEG

- ALARM
- VOL2
- VOL1
- OR
- 4R
- 2R
- R
- PLL-DATA
- PLL-S1
- PLL-CLK
- PLL-TX
- PLL-UNLOCK
- KEY_SCAN
- KEY_SCAN
- KEY_SCAN
- MIC-MUTE
- SP-MUTE

- 30
- 31
- 32
- 33
- 34
- 35
- 36
- 37
- 38
- 39
- 40
- 41
- 42
- 43
- 44
- 45
- 46
- 47
- 48
- 49
- 50

R79 350
R80 470
R81 100K
R82 100K
R83 100K
R84 100K
R85 22K
R86 22K
R87 22K
R88 22K
R89 100K
R90 100K
R91 100K
R92 100K
R93 100K
R94 100K
R95 100K
R96 100K
R97 100K
R98 100K
R99 100K
R100 100K
R101 100K
R102 100K
R103 560
R104 2K
R105 100K
R106 2K
R107 2K
R108 2K
R109 2K
R110 1.5M

C40 D.1
C41 820P
C38 1.0
C39 0.1

IC6
8 7 6 5
1 2 3 4

IC7
8 7 6 5
1 2 3 4

IC9
8 7 6 5
1 2 3 4

IC10
8 7 6 5
1 2 3 4

IC11
8 7 6 5
1 2 3 4

IC12
8 7 6 5
1 2 3 4

IC13
8 7 6 5
1 2 3 4

IC14
8 7 6 5
1 2 3 4

IC15
8 7 6 5
1 2 3 4

IC16
8 7 6 5
1 2 3 4

IC17
8 7 6 5
1 2 3 4

IC18
8 7 6 5
1 2 3 4

IC19
8 7 6 5
1 2 3 4

IC20
8 7 6 5
1 2 3 4

IC21
8 7 6 5
1 2 3 4

