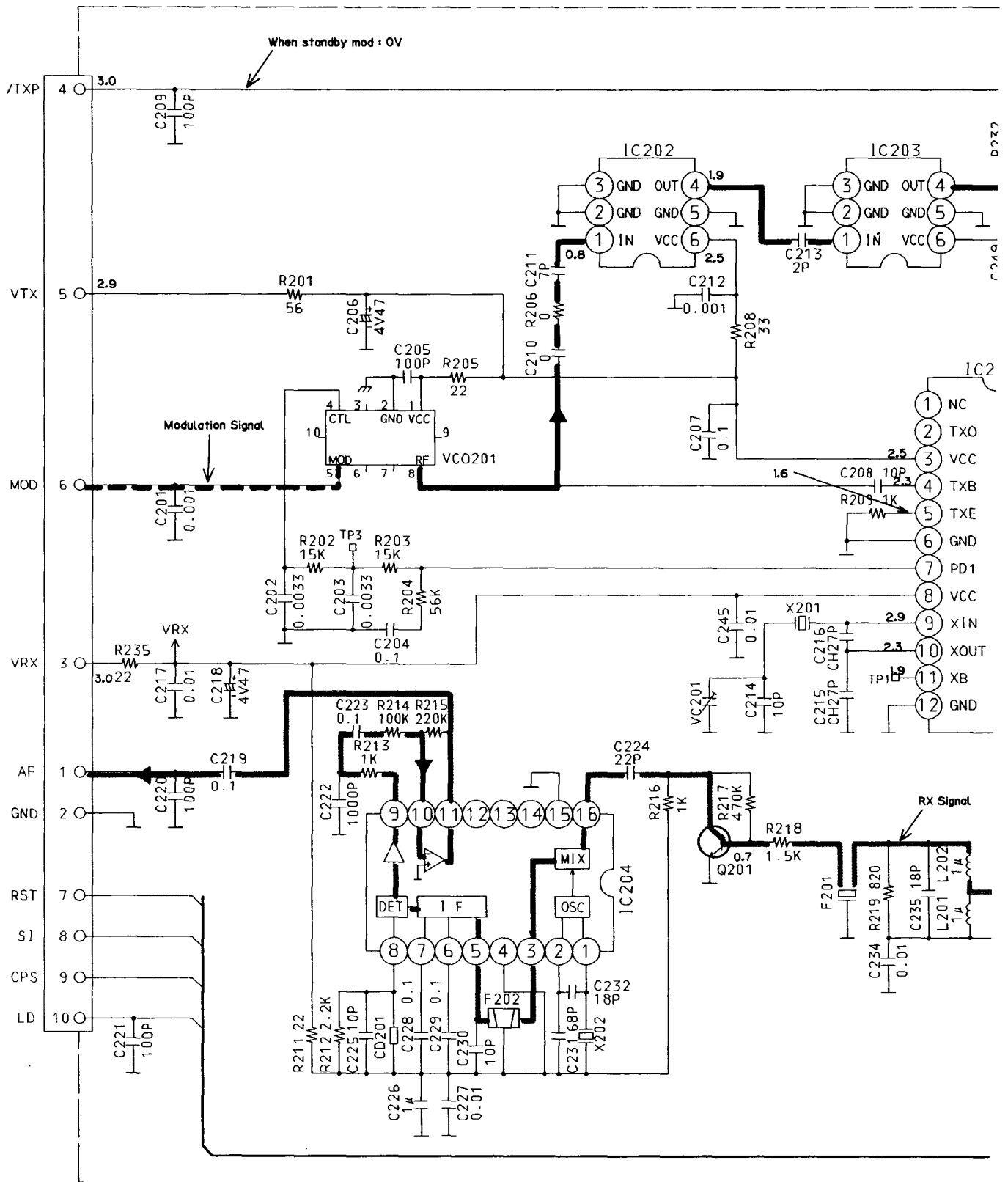
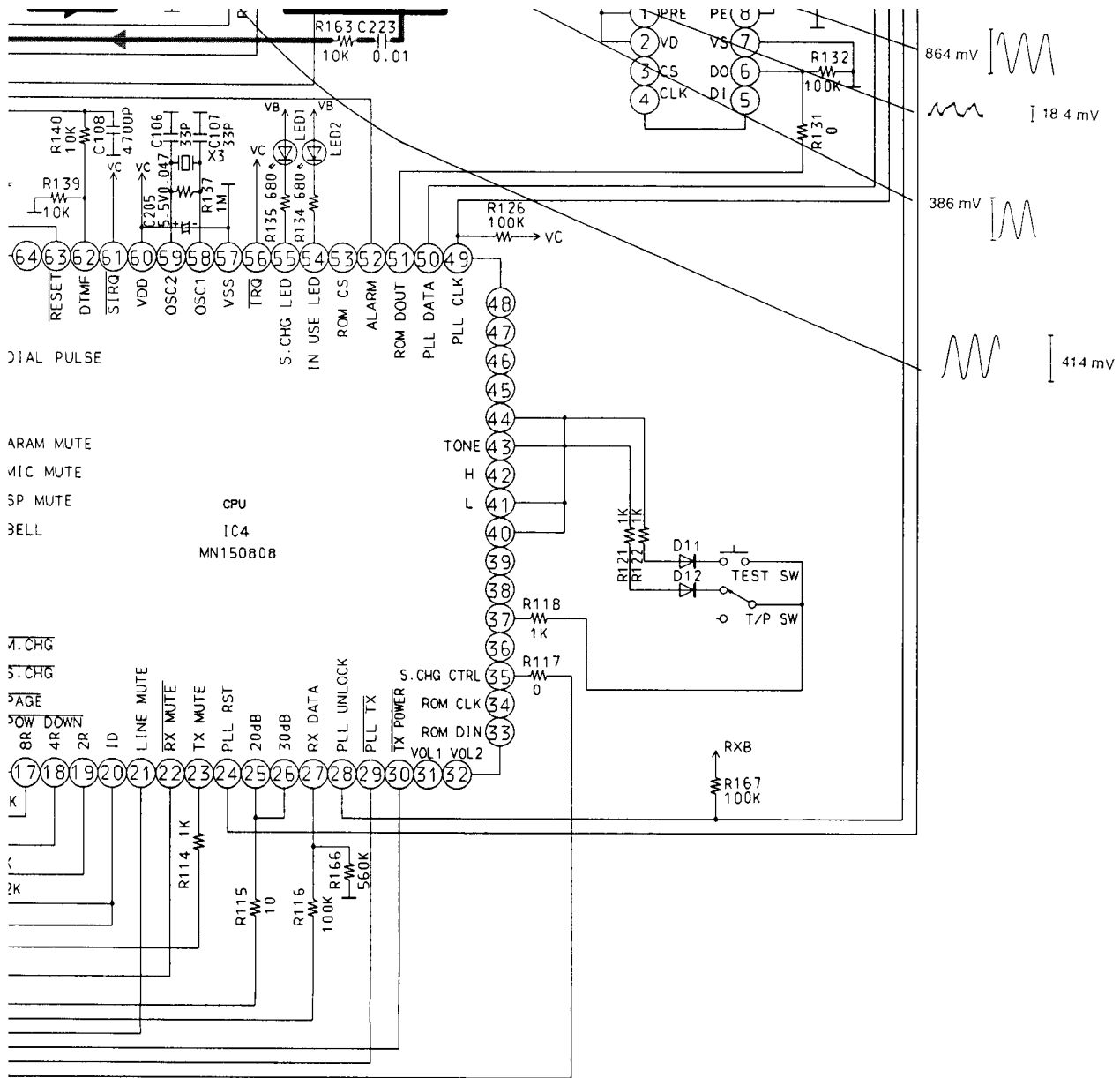
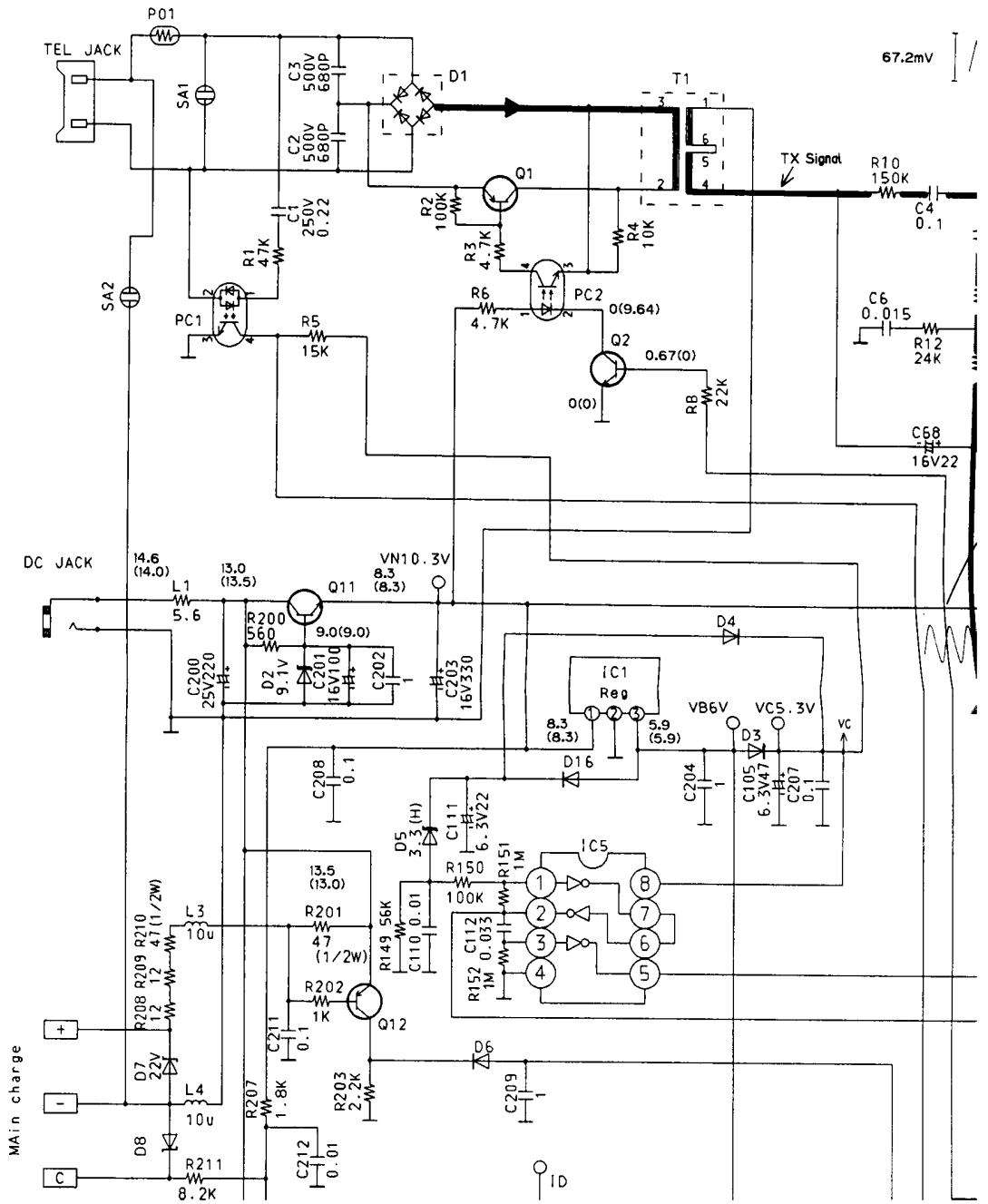
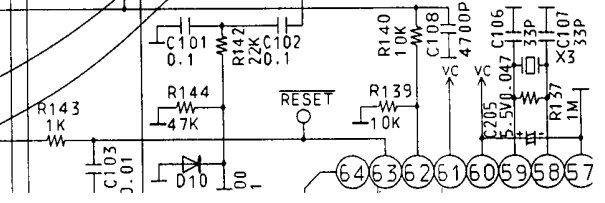
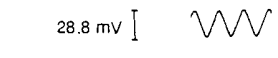
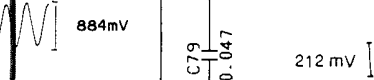
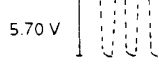
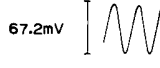
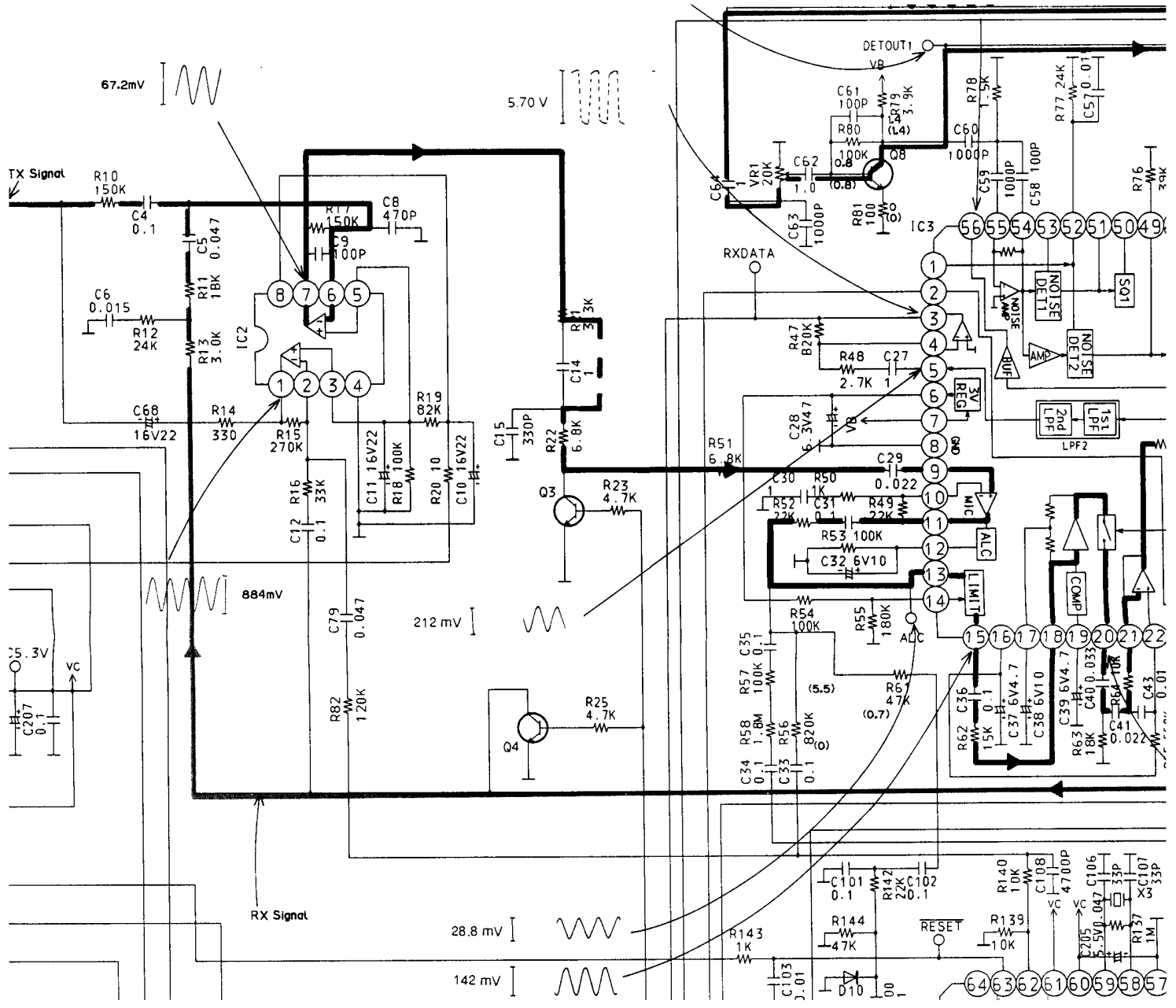


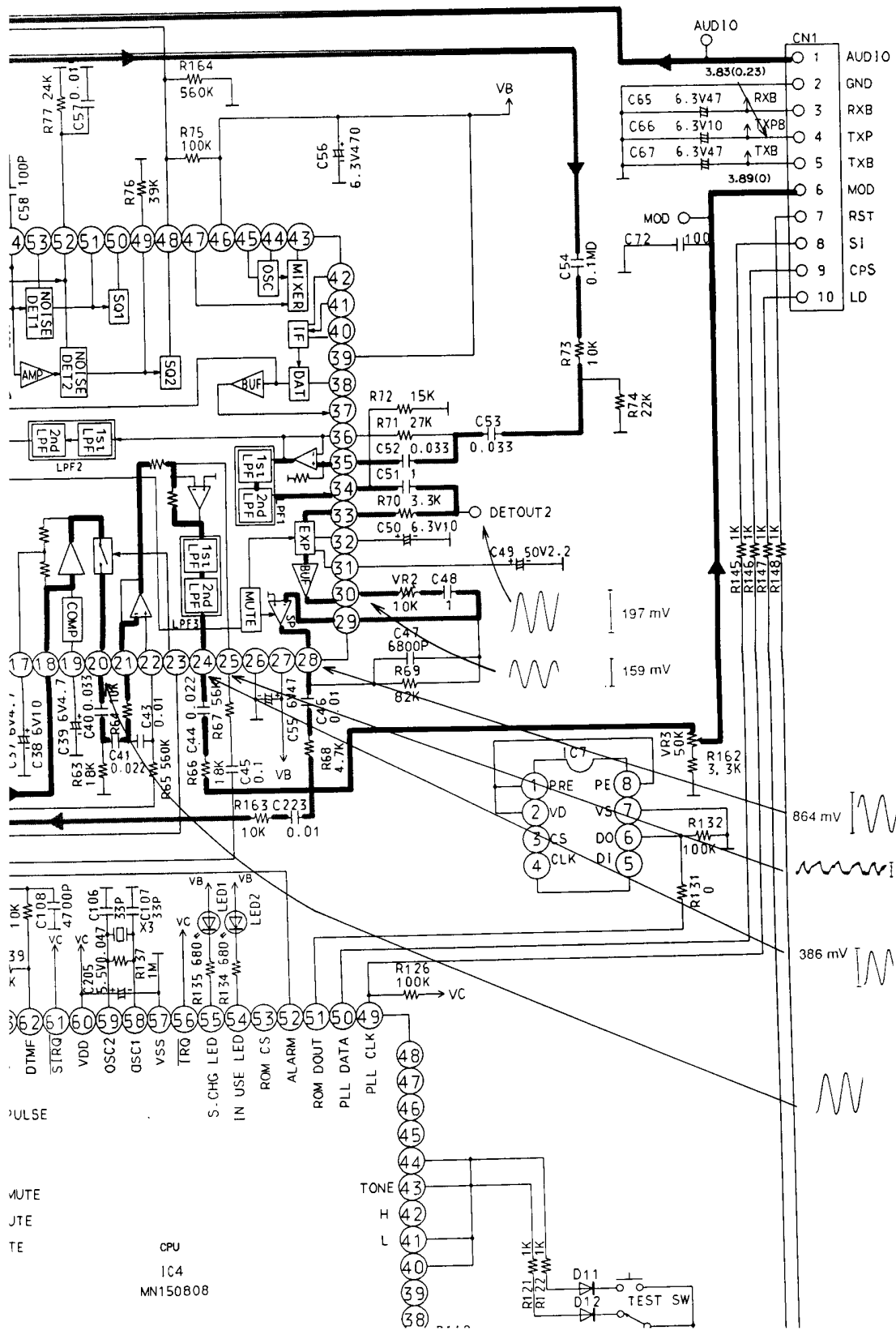
Схема радиотелефона PANASONIC KX-T9180-BX

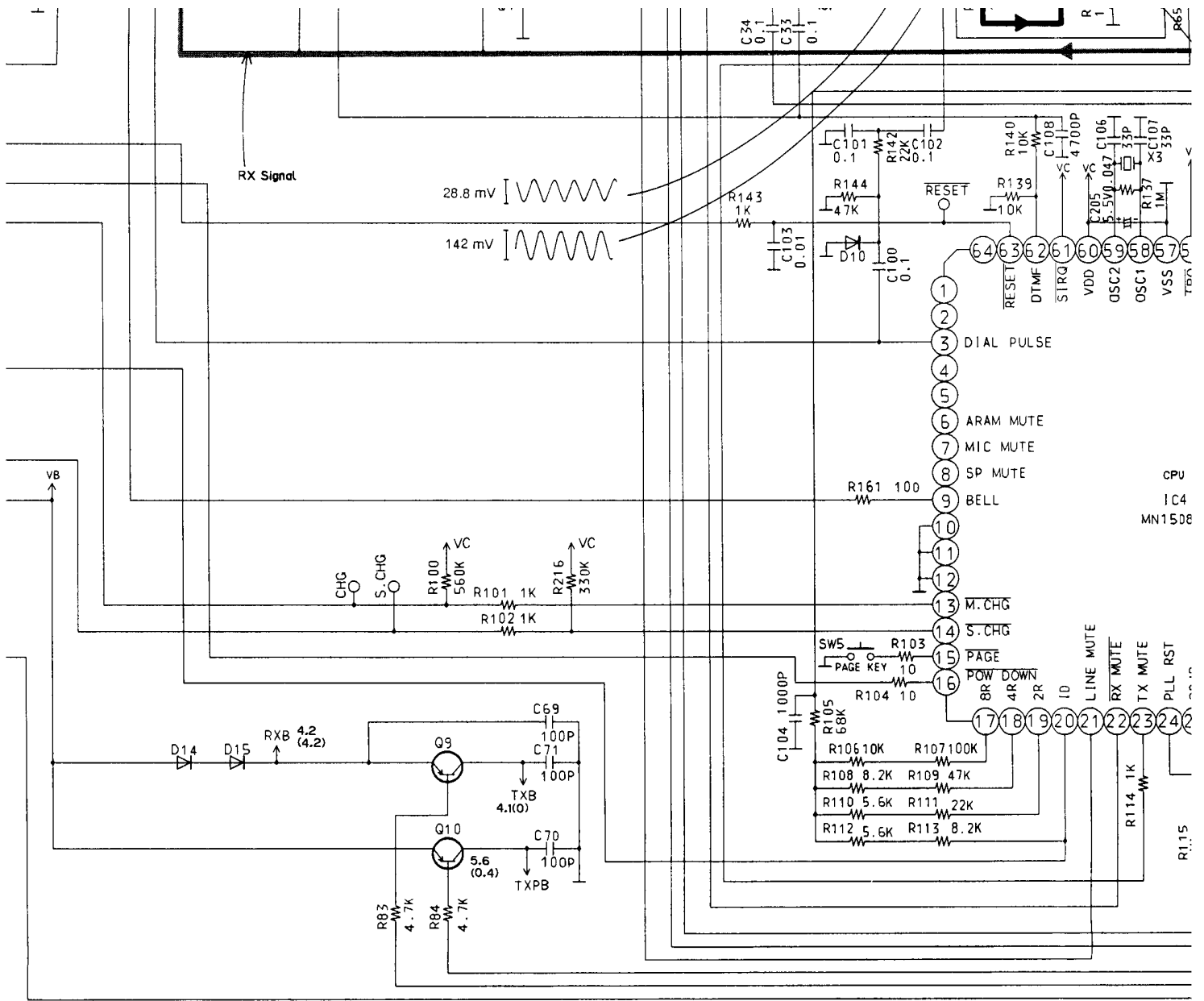


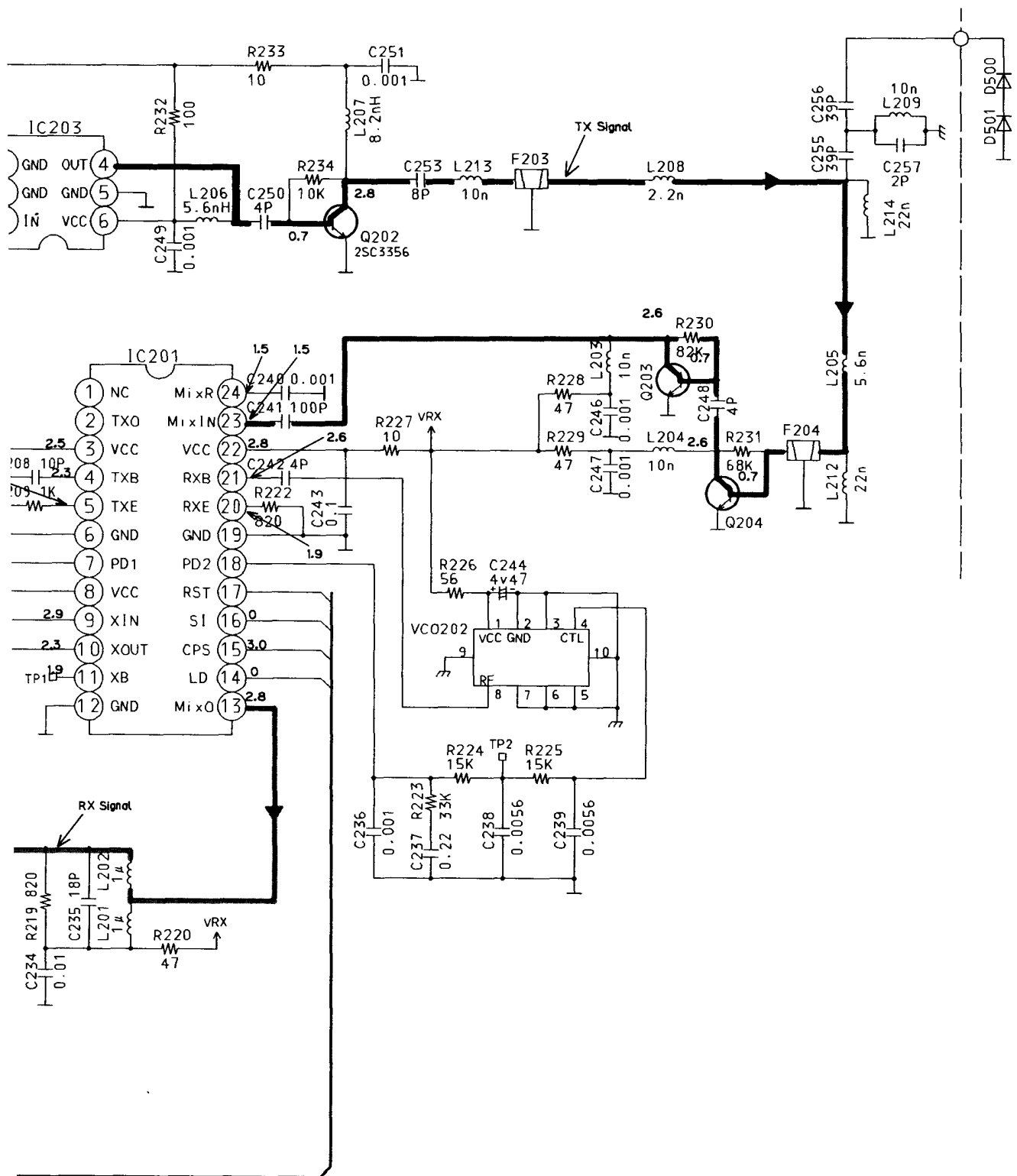


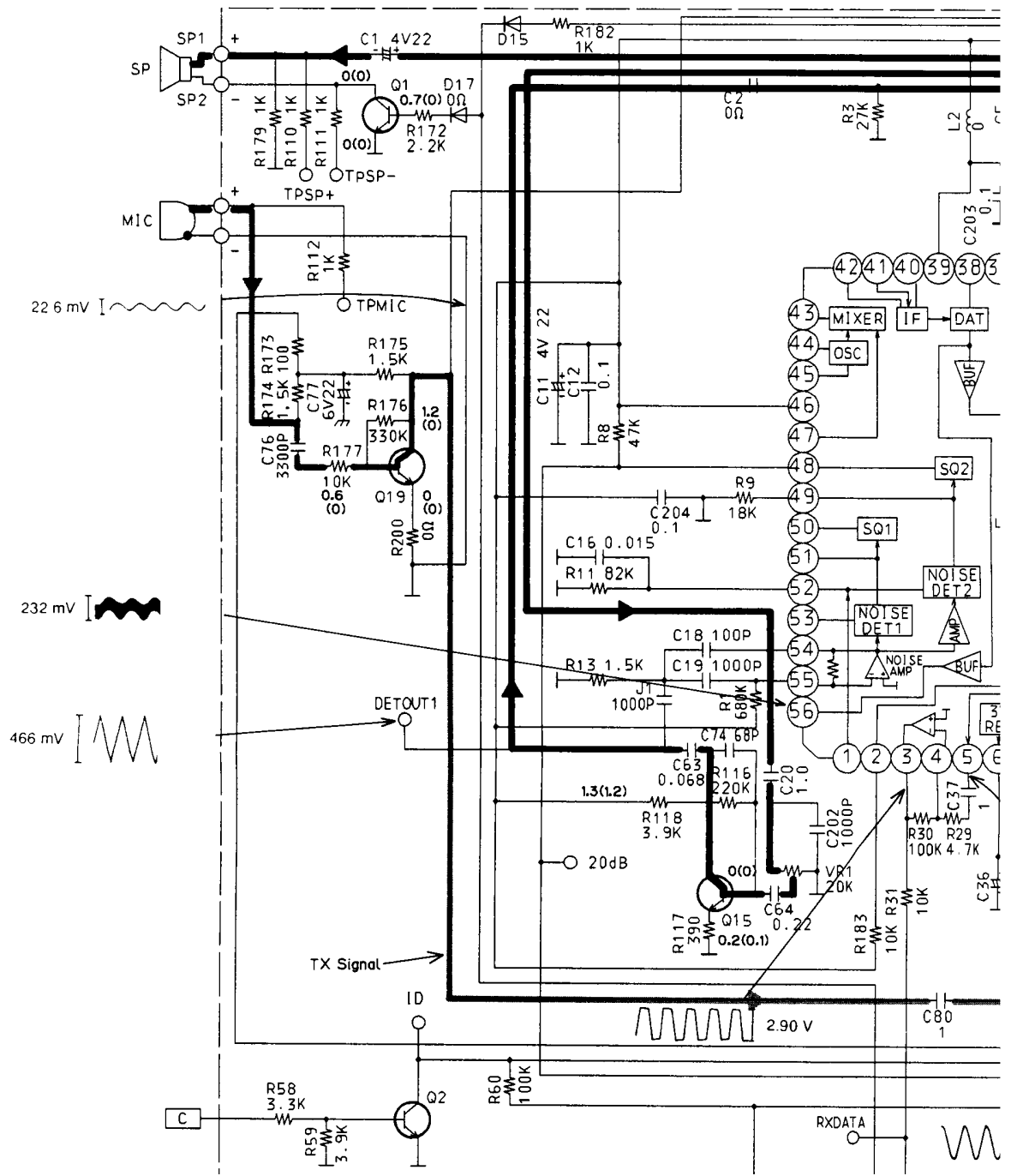


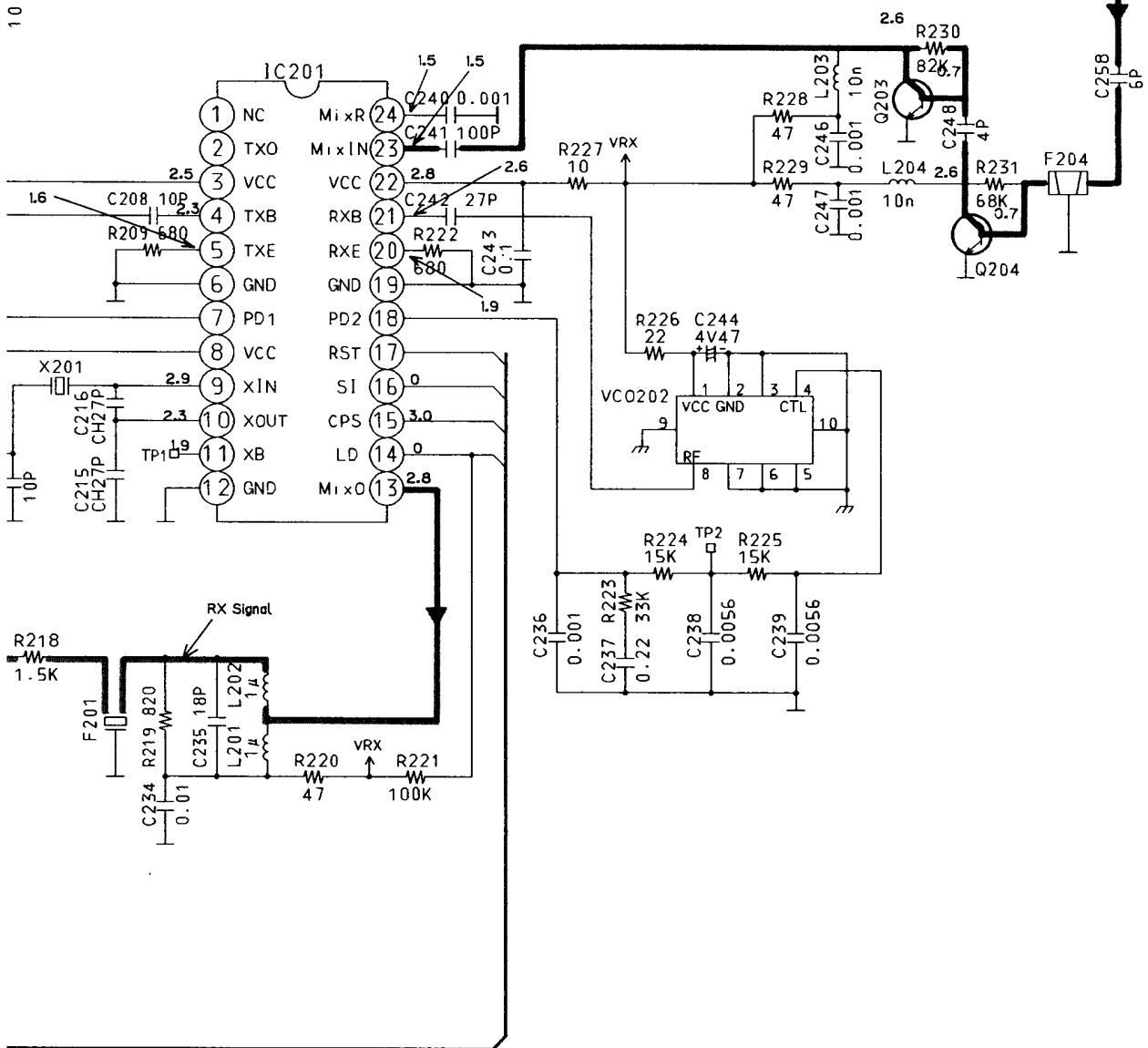
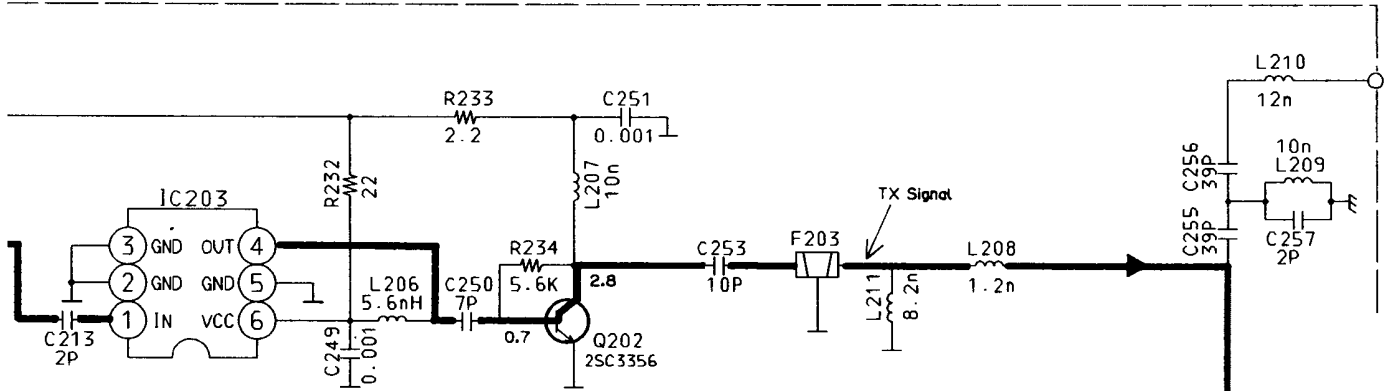




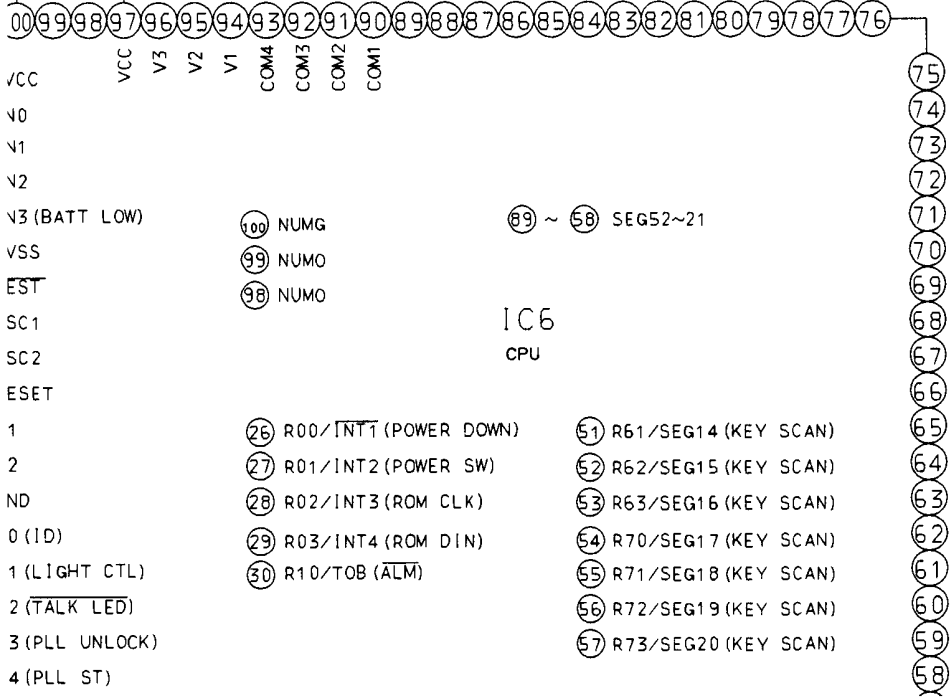
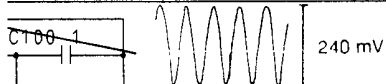
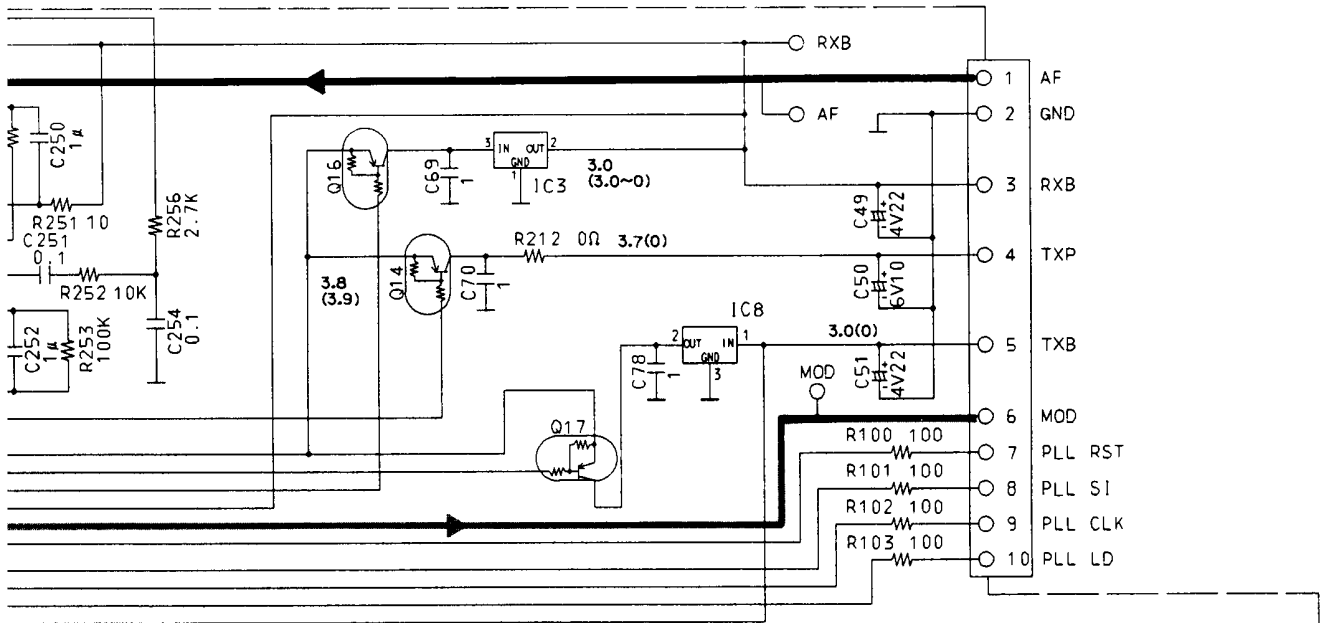




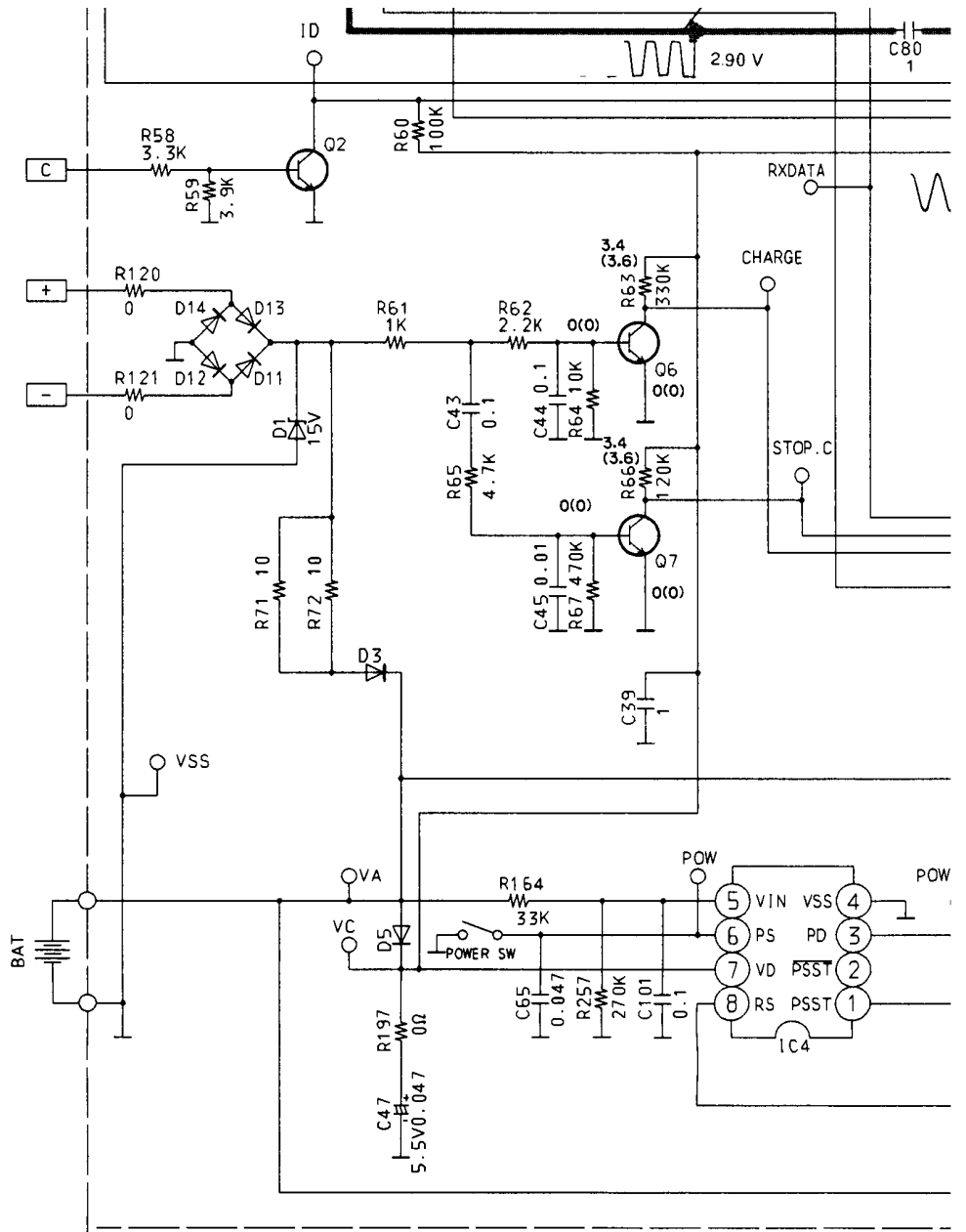


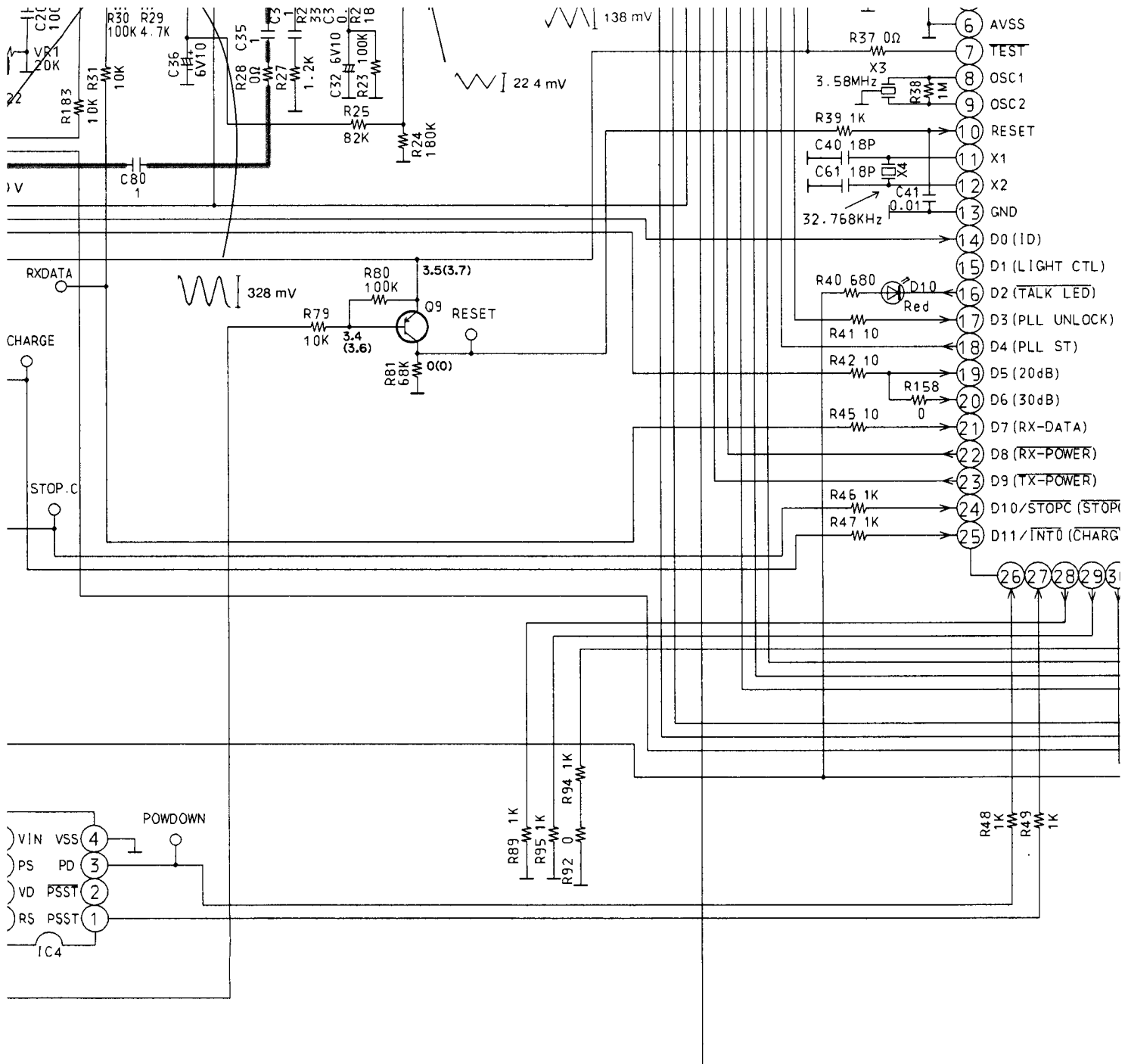


10



OPTION DIODE
DL DK





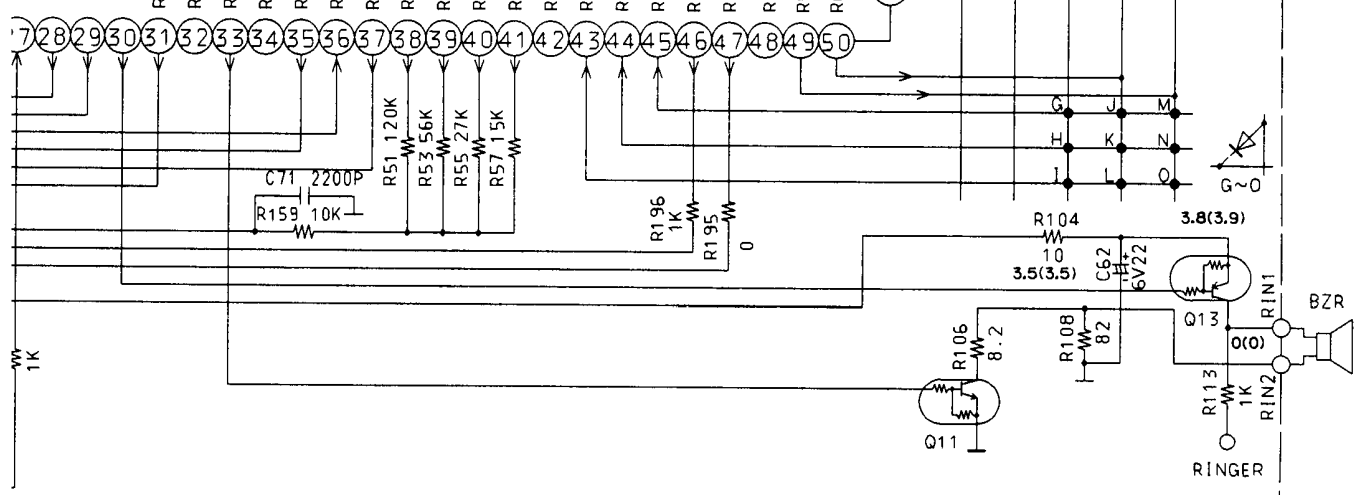
- 99 NUMO
- 98 NUMO

IC6
CPU

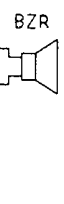
- | | |
|--------------------------|-------------------------|
| 26 R00/INT1 (POWER DOWN) | 51 R61/SEG14 (KEY SCAN) |
| 27 R01/INT2 (POWER SW) | 52 R62/SEG15 (KEY SCAN) |
| 28 R02/INT3 (ROM CLK) | 53 R63/SEG16 (KEY SCAN) |
| 29 R03/INT4 (ROM DIN) | 54 R70/SEG17 (KEY SCAN) |
| 30 R10/TOB (ALM) | 55 R71/SEG18 (KEY SCAN) |
| | 56 R72/SEG19 (KEY SCAN) |
| | 57 R73/SEG20 (KEY SCAN) |

OPTION DIODE
DL DK

))
(GHT CTL)
(LK LED)
.L UNLDCK)
.L ST)
)dB)
)dB)
(-DATA)
(-POWER)
(-POWER)
STOPC (STOPC)
NT0 (CHARG)



- 70
- 69
- 68
- 67
- 66
- 65
- 64
- 63
- 62
- 61
- 60
- 59
- 58
- 57
- 56
- 55
- 54
- 53
- 52
- 51



RINGER

