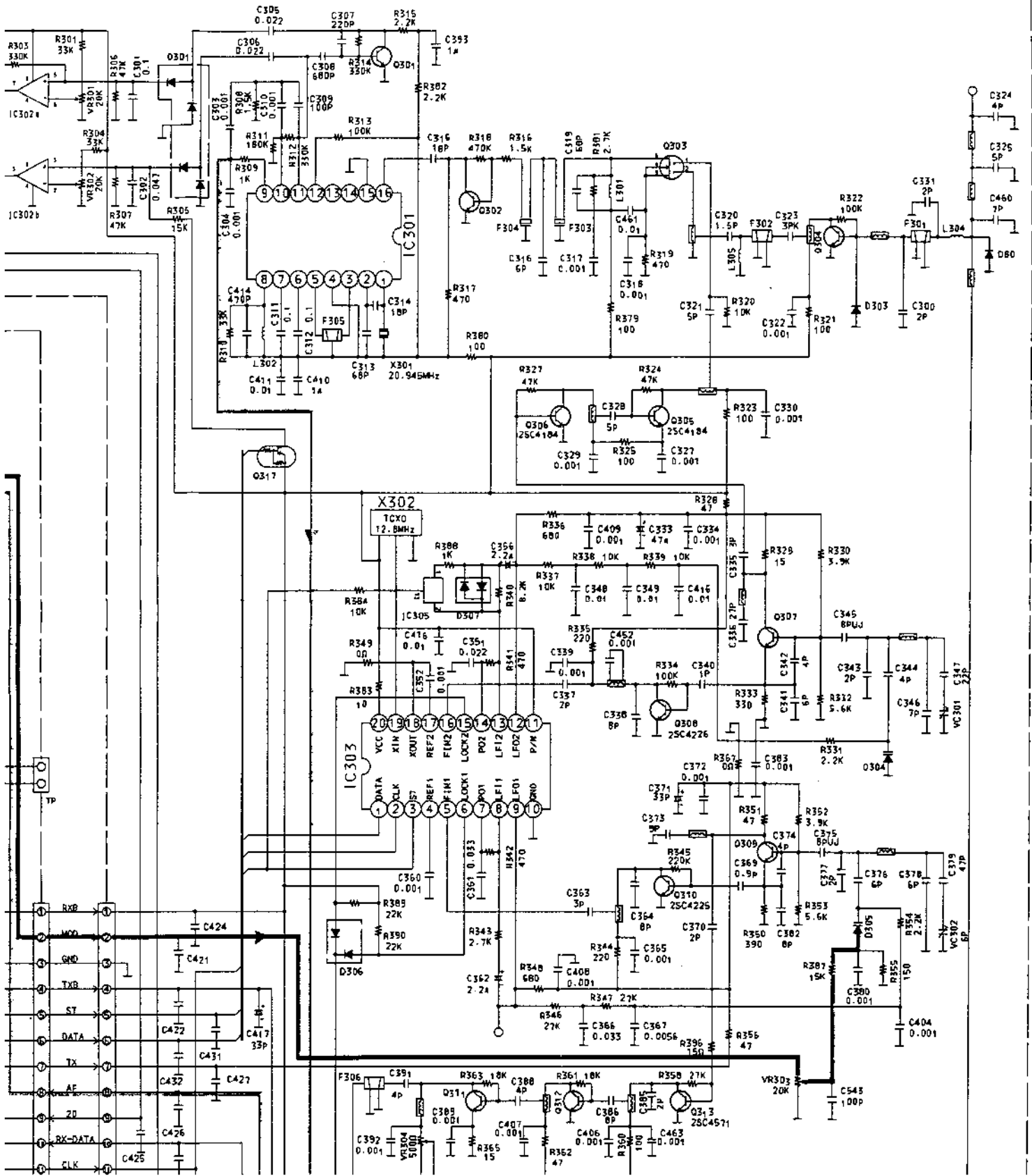
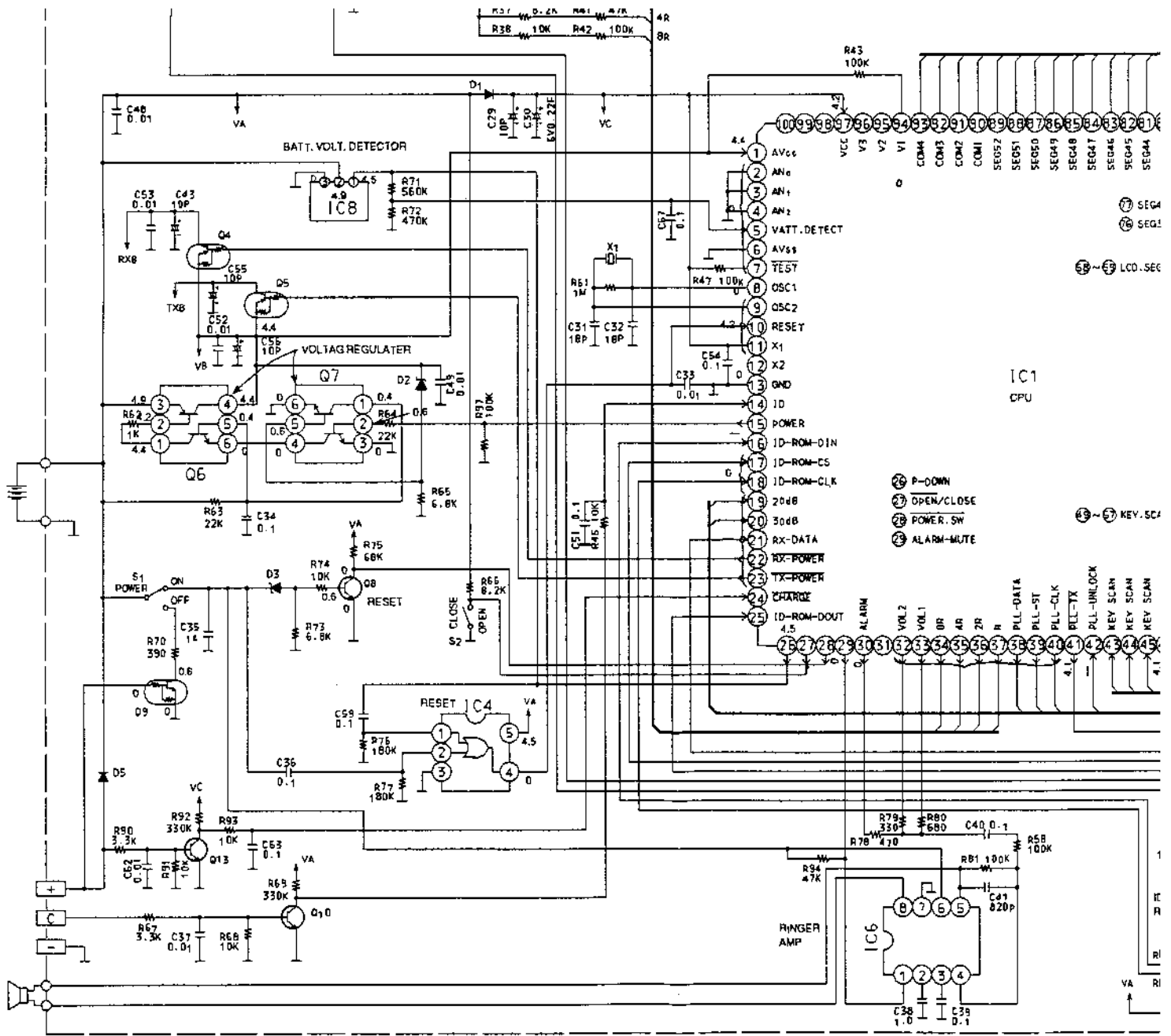


- 26-27 P-DOWN
- 28 OPEN/CLOSE
- 29 POWER.SW
- 39-47 KEY.SCAN
- 48 ALARM-MUTE

- VOL2
- VOL1
- 0R
- 4R
- 2R
- R
- PLL-DATA
- PLL-ST
- PLL-CLK
- PLL-TX
- PLL-UNLOCK
- KEY SCAN
- KEY SCAN
- KEY SCAN
- KEY SCAN
- KEY SCAN
- MIC-MUTE





BATT. VOLT. DETECTOR

VOLTAGE REGULATOR

RESET

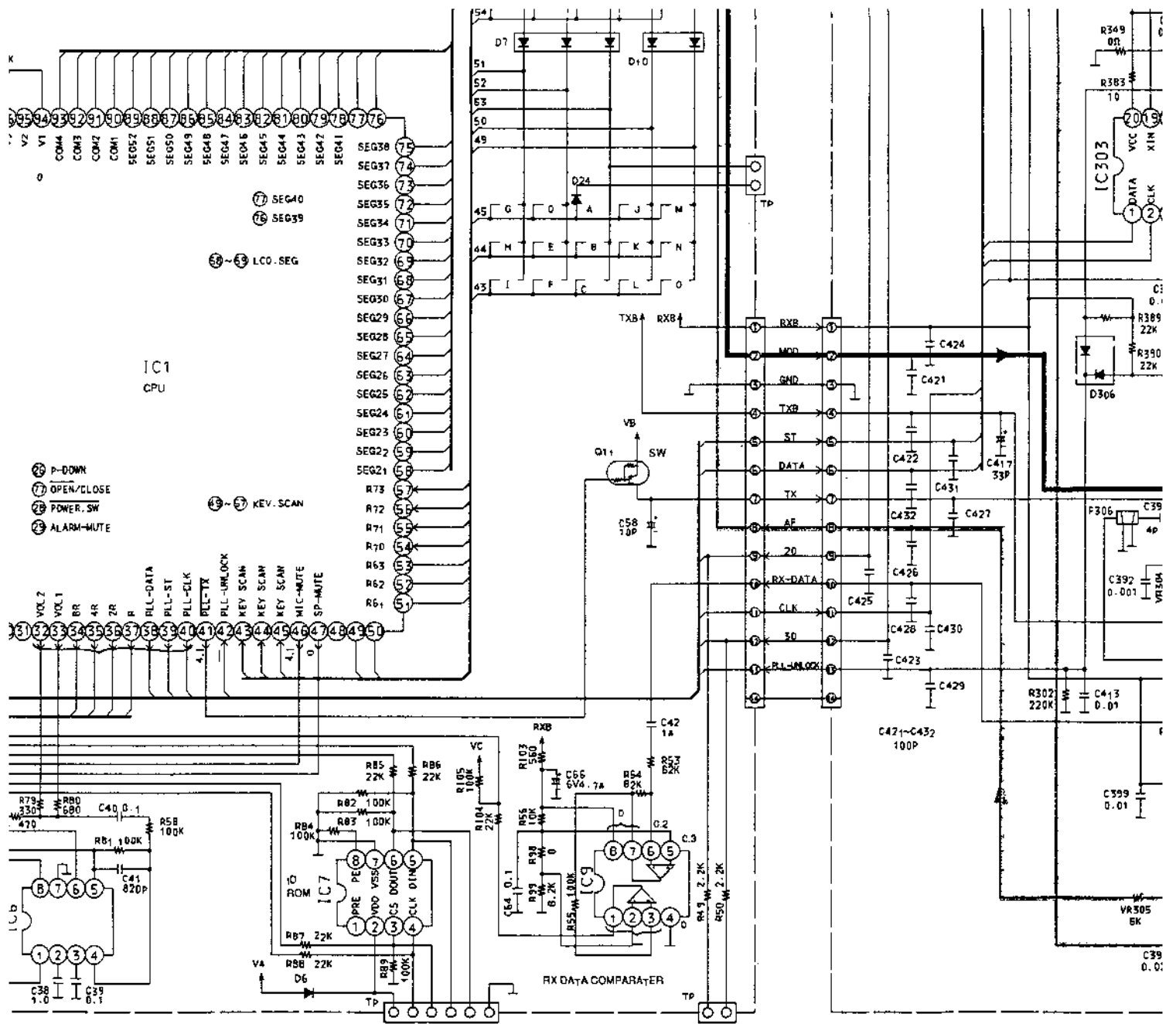
RINGER AMP

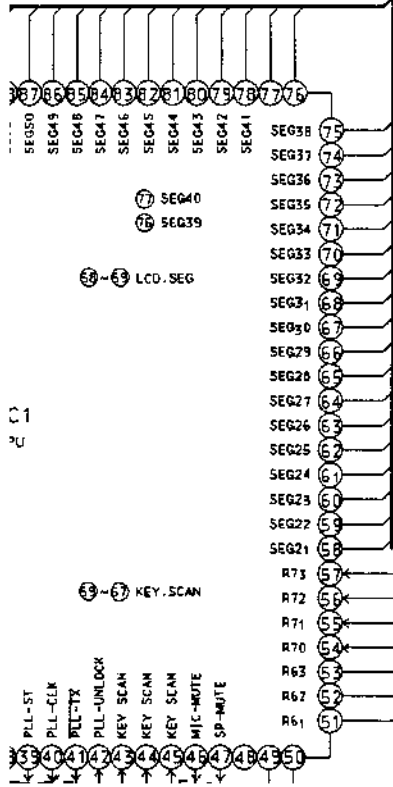
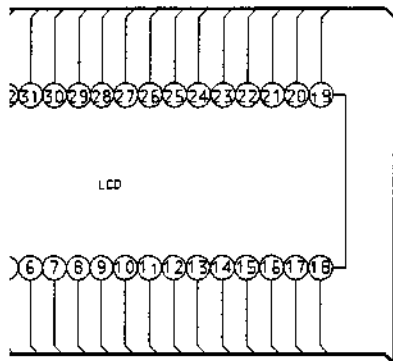
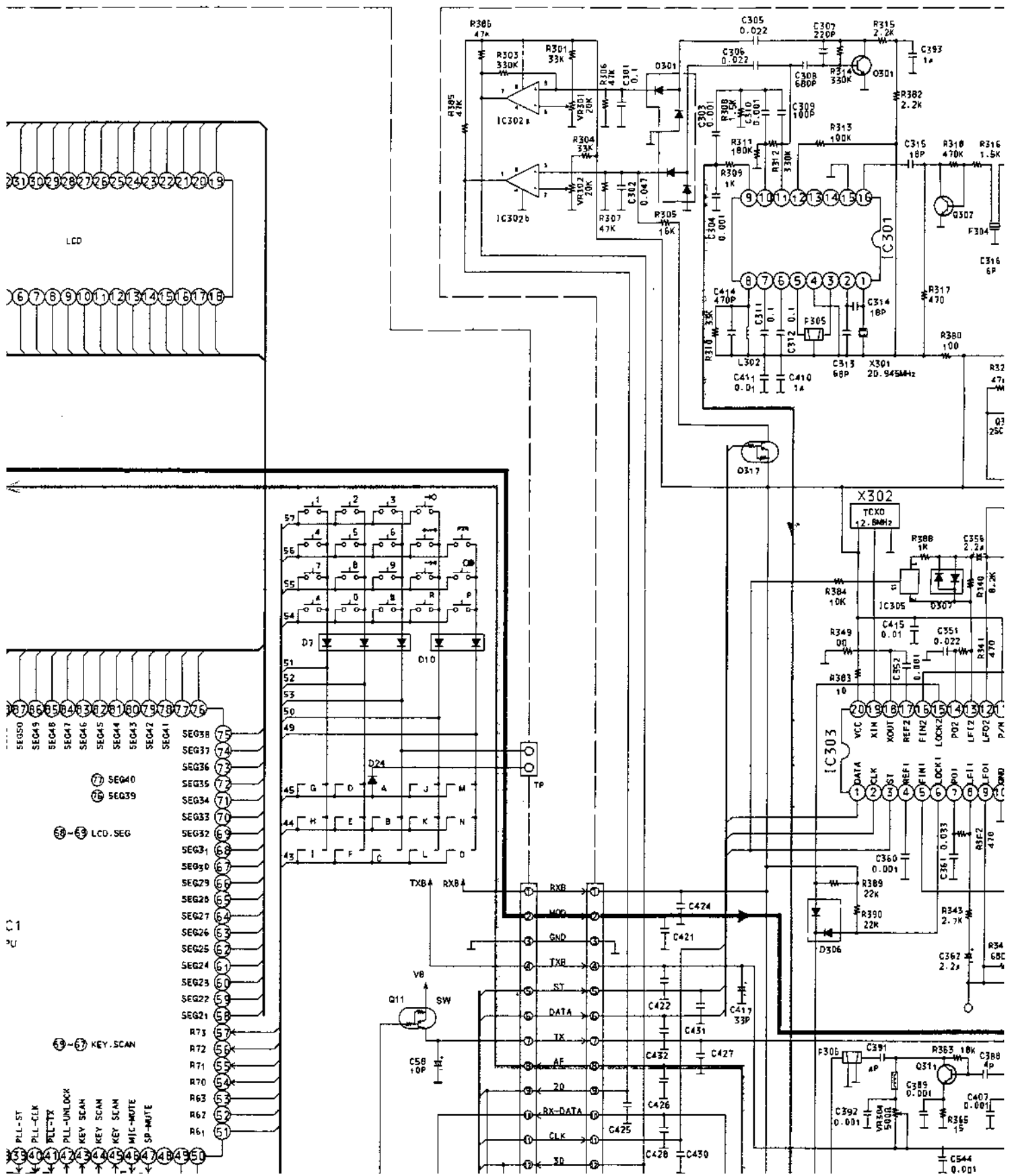
IC1
CPU

- 26 P-DOWN
- 27 OPEN/CLOSE
- 28 POWER SW
- 29 ALARM-MUTE

- 27 SEG4
- 28 SEG1
- 29 LCD.SEC

- 43-45 KEY SCAN





C1
C2