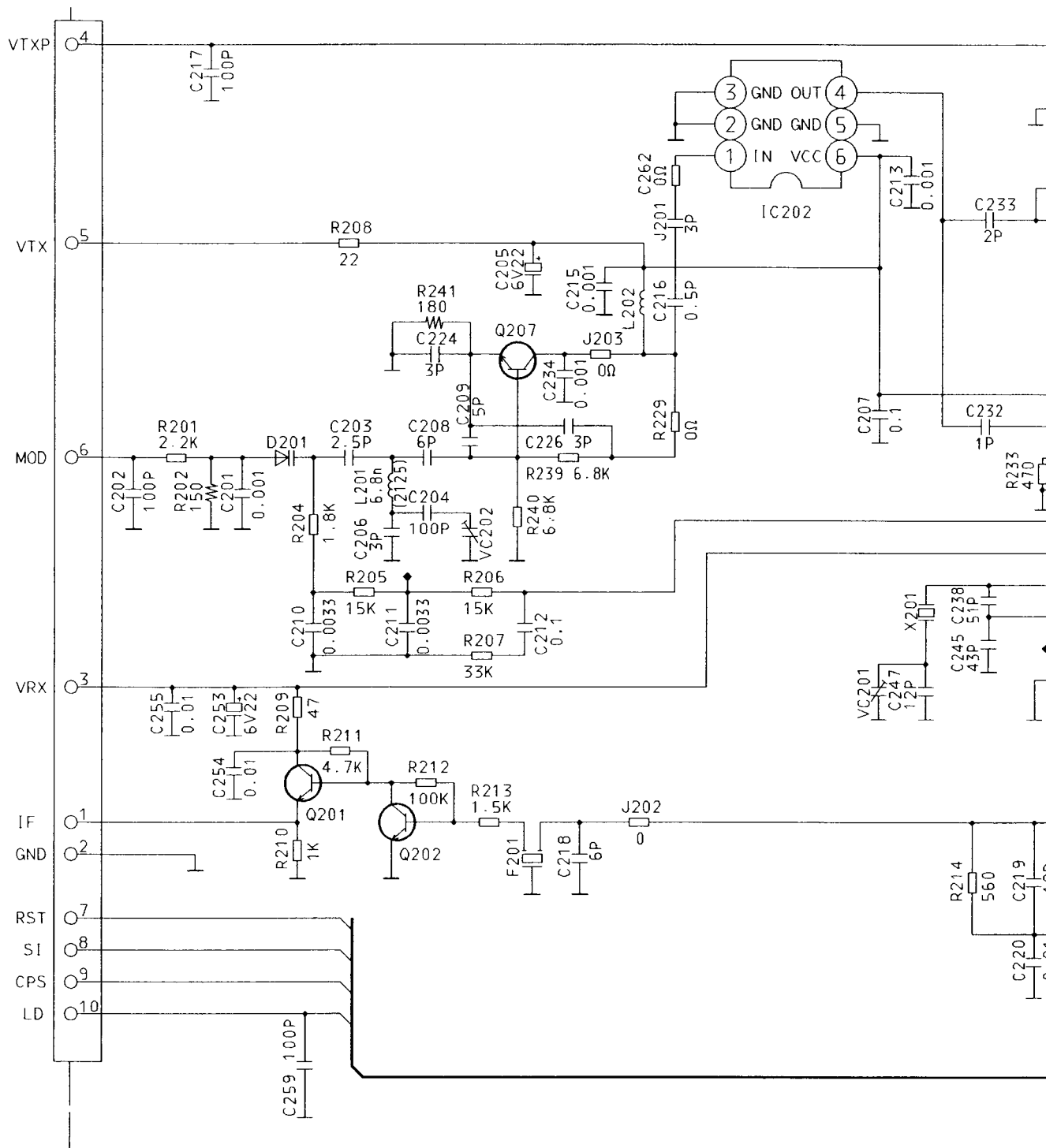
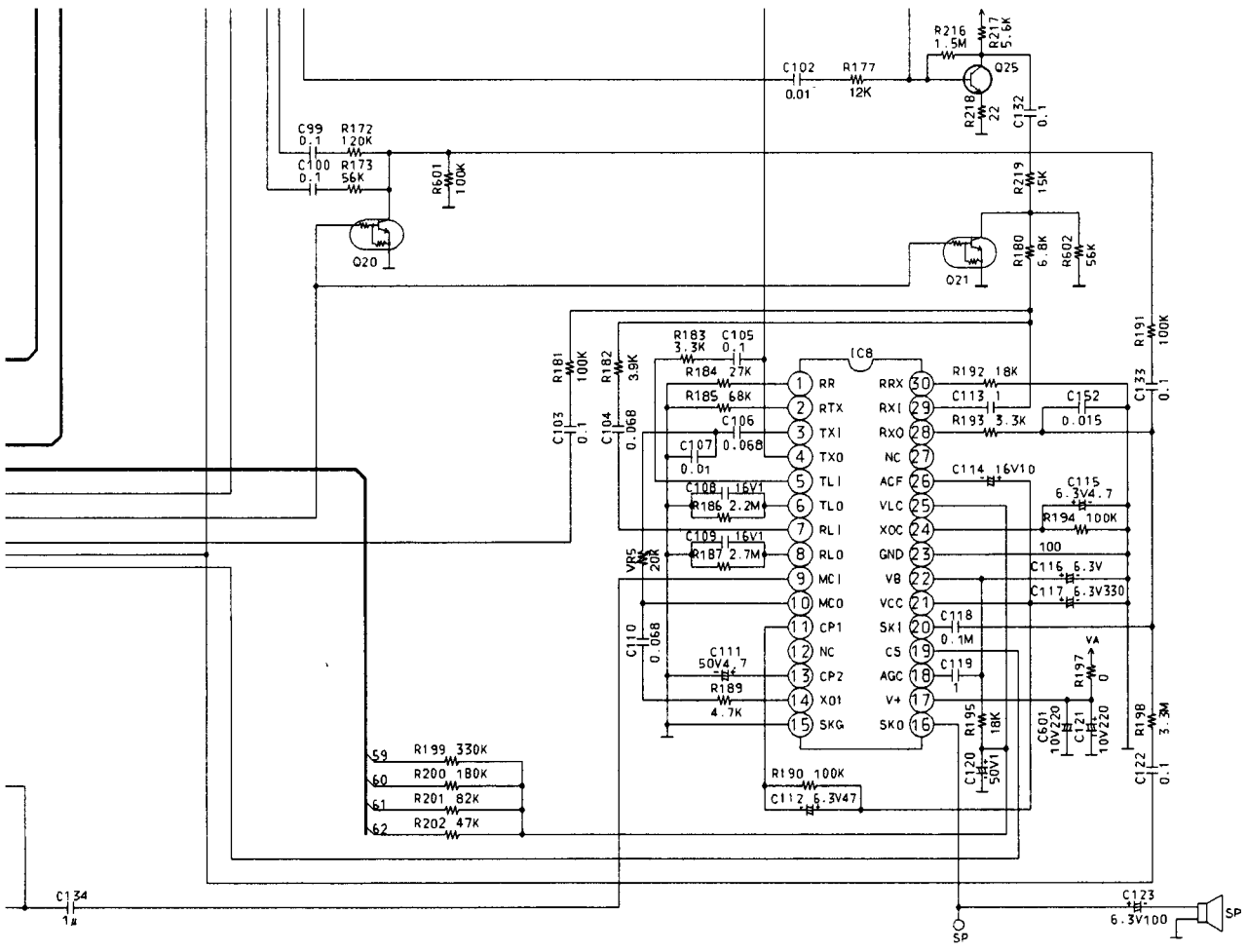
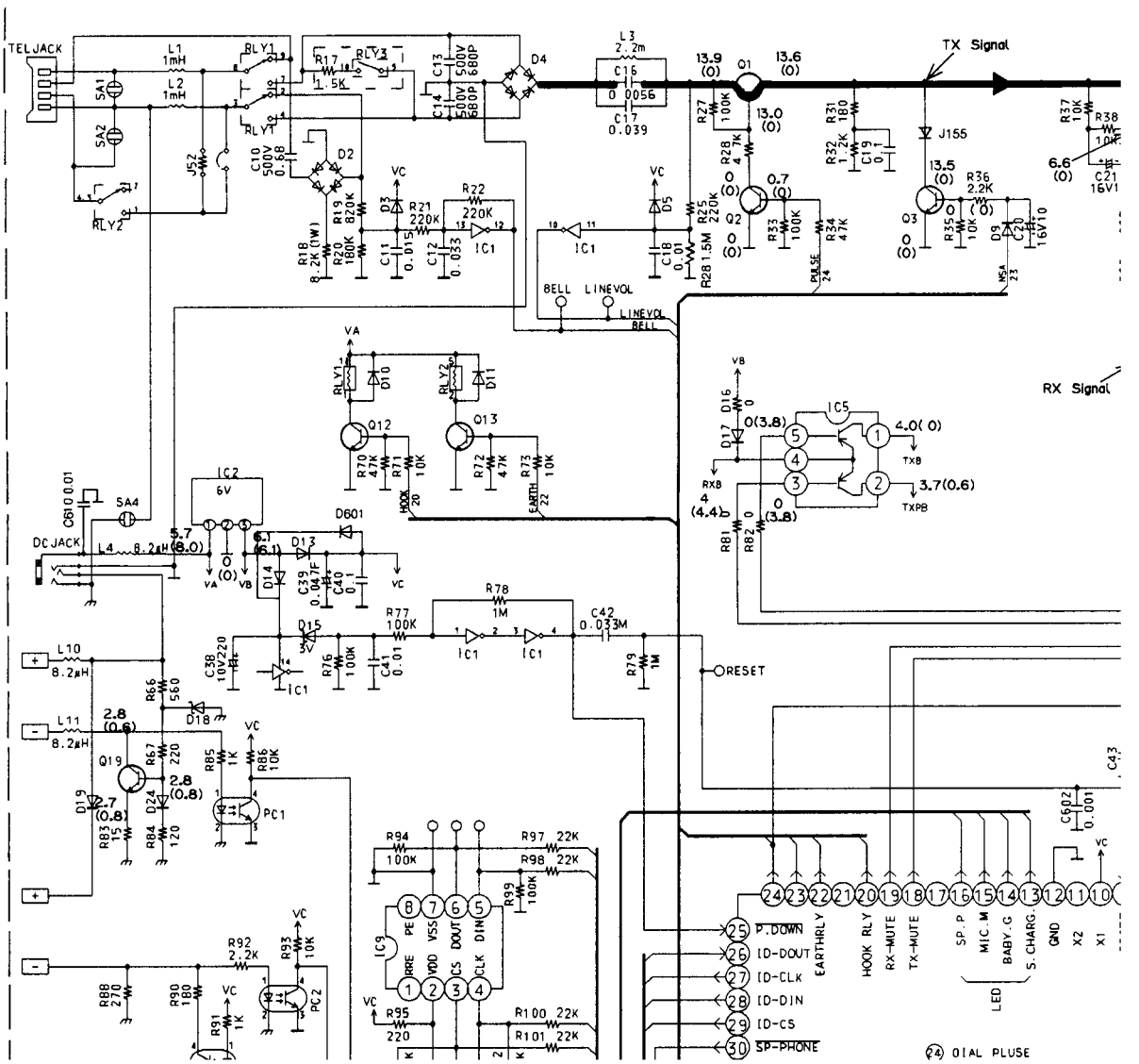


(HF-EINHEIT)

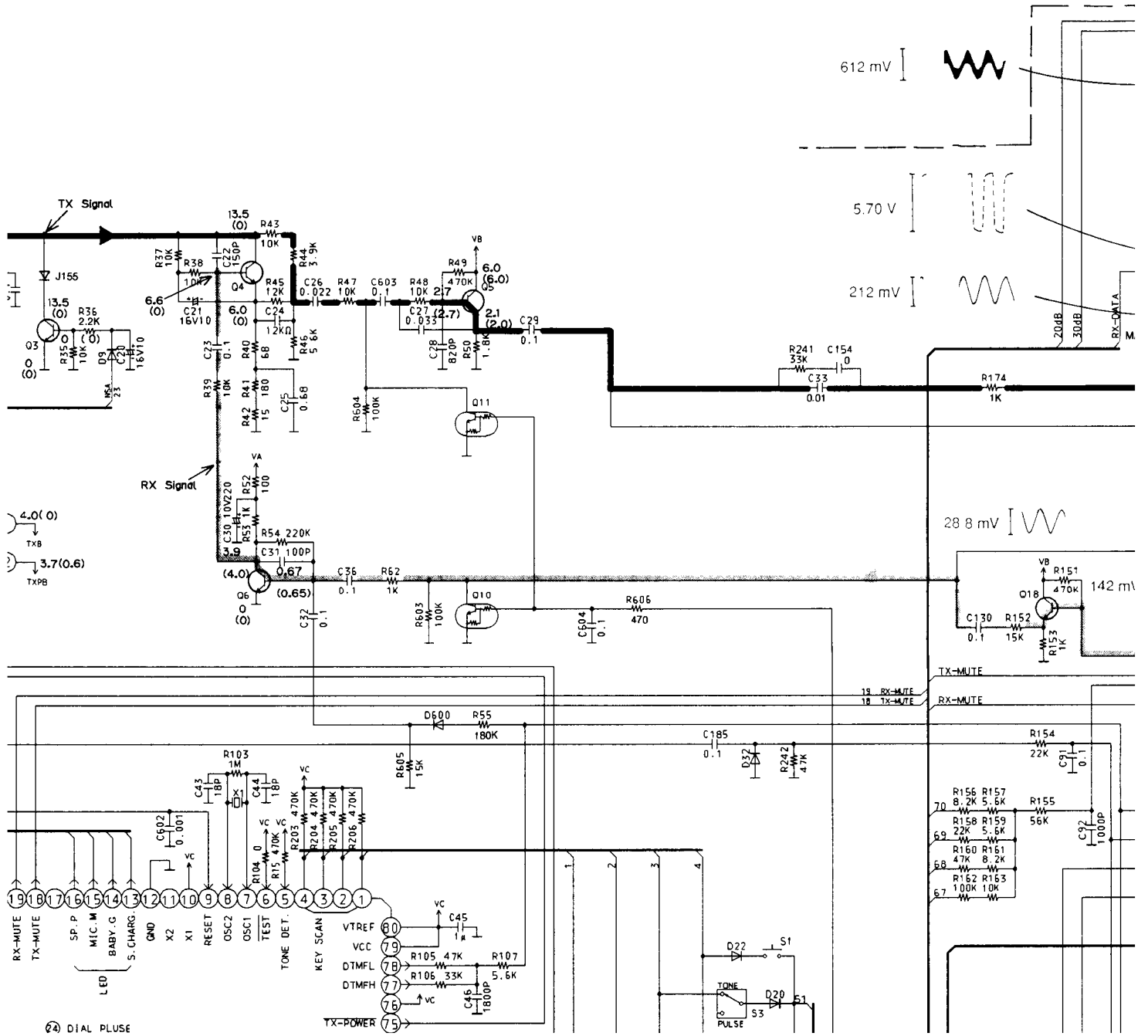




- 59 R199 330K
- 60 R200 180K
- 61 R201 82K
- 62 R202 47K

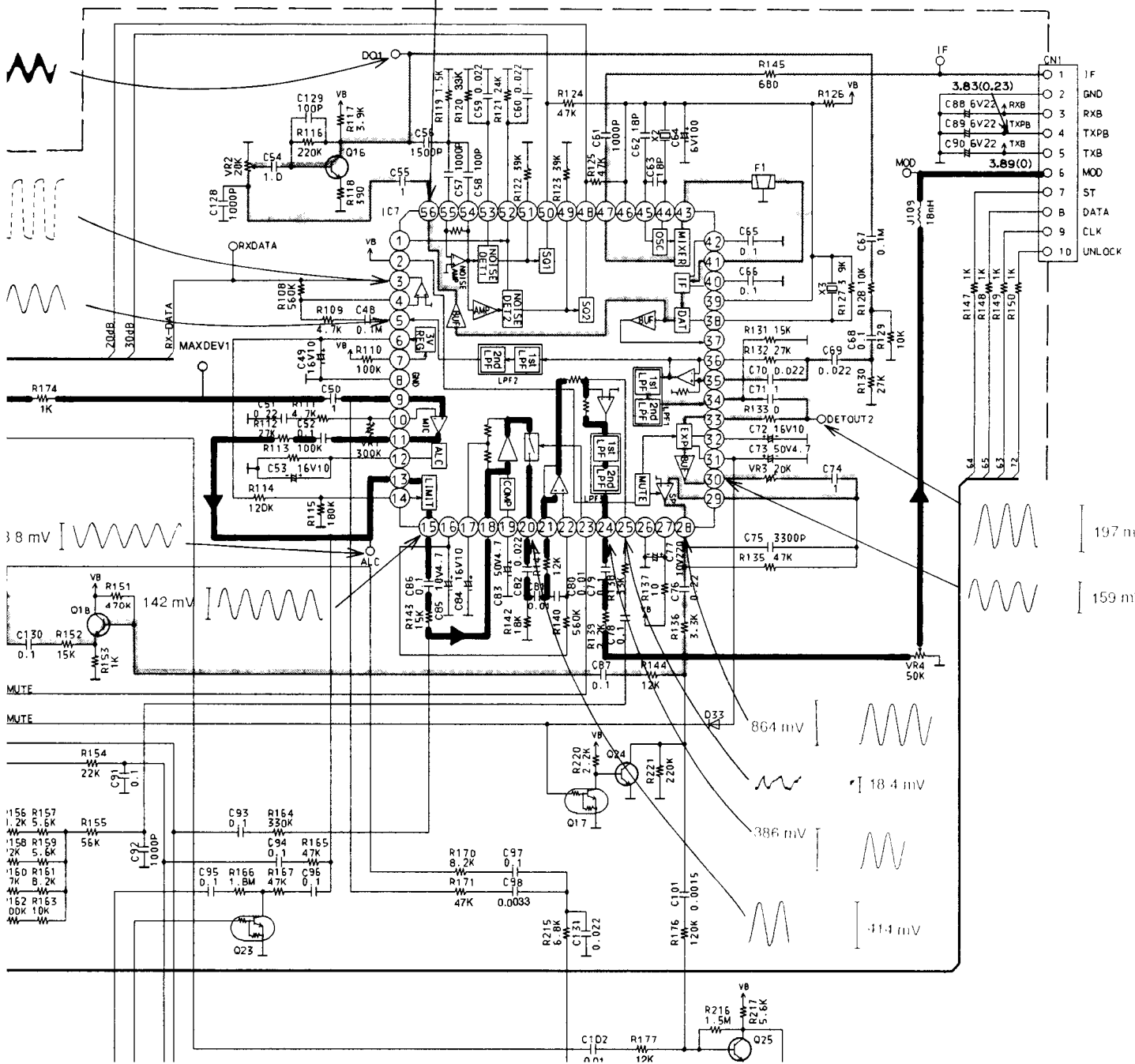


② DIAL PLUSE



24) DIAL PLUSE

290 mV



- 1 IF
- 2 GND
- 3 RXB
- 4 TXPB
- 5 TXB
- 6 MOD
- 7 ST
- 8 DATA
- 9 CLK
- 10 UNLOCK

197 mV

159 mV

864 mV

18.4 mV

386 mV

11.4 mV

3.8 mV

142 mV

MUTE

MUTE

156 R157 1.2K 5.6K

158 R159 2K 5.6K

160 R161 7K 8.2K

162 R163 00K 10K

C95 R166 R167 C96

0.1 1.0M 47K 0.1

R170 C97

8.2K 0.1

R171 C98

47K 0.0033

R216 R217

1.5M 5.6K

C102 R177

0.2 12K

R215 C101

6.8K 0.0015

C101 R176

0.022 120K

R176 C101

120K 0.0015

R216 R217

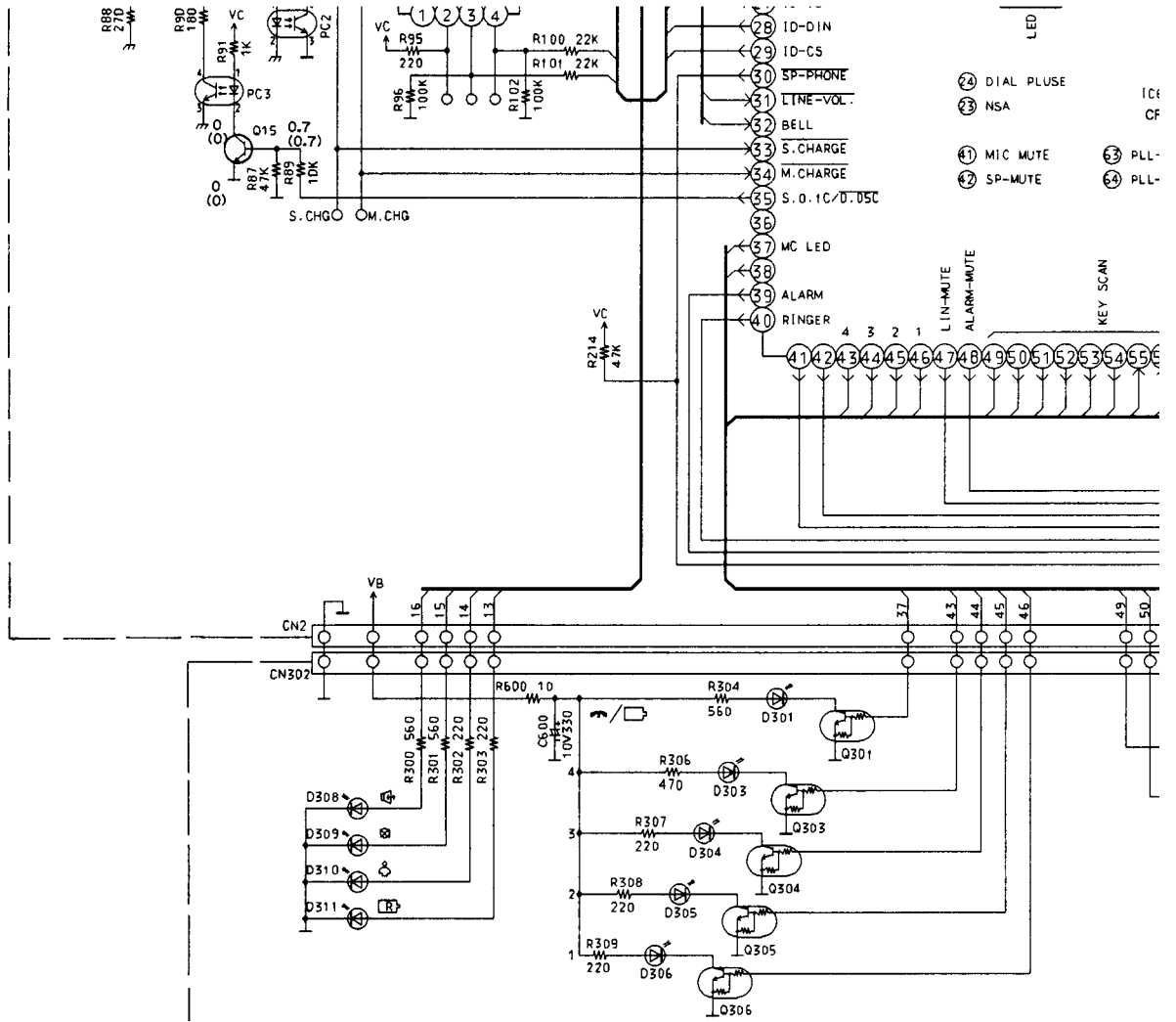
1.5M 5.6K

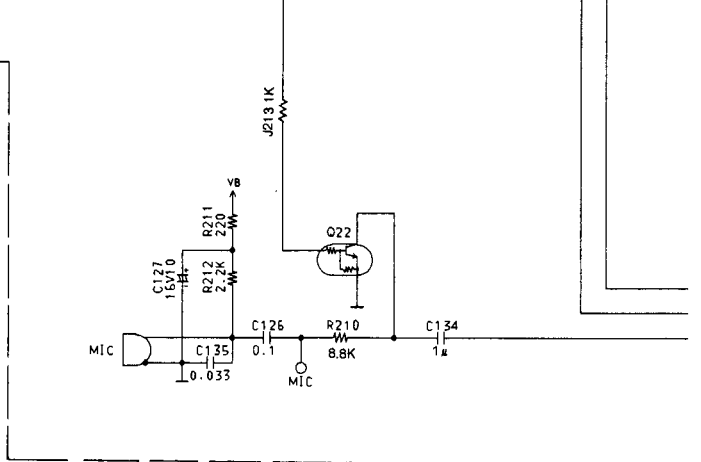
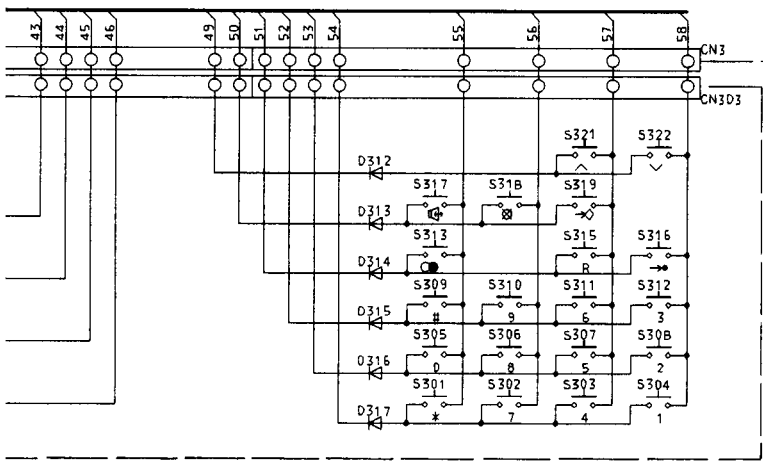
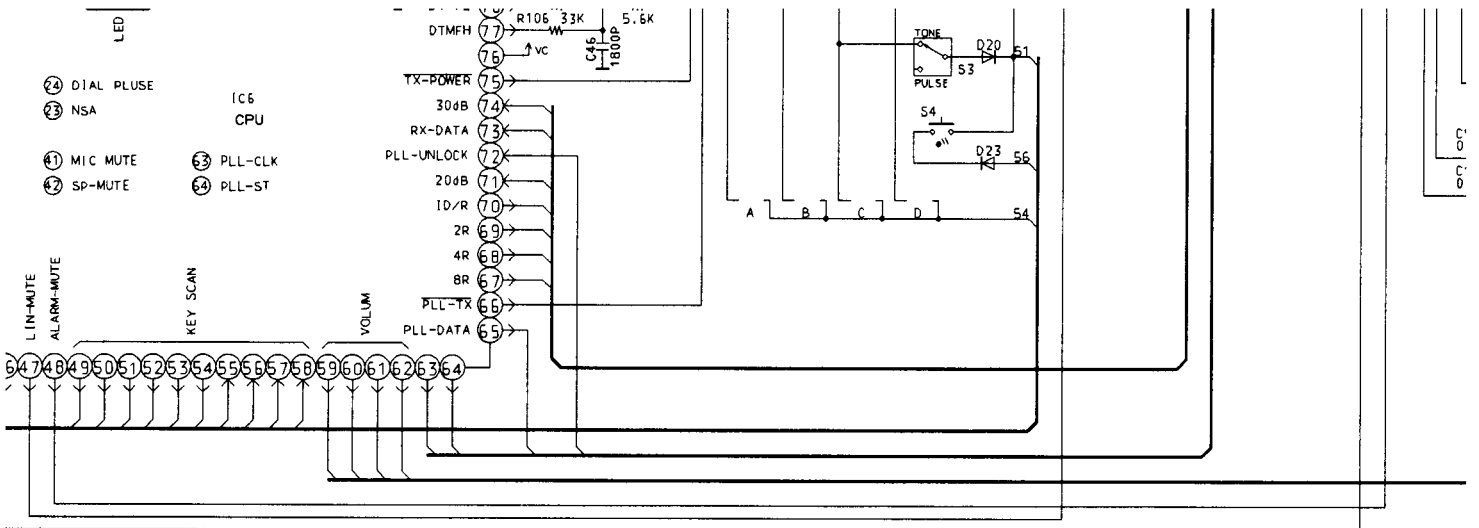
C102 R177

0.2 12K

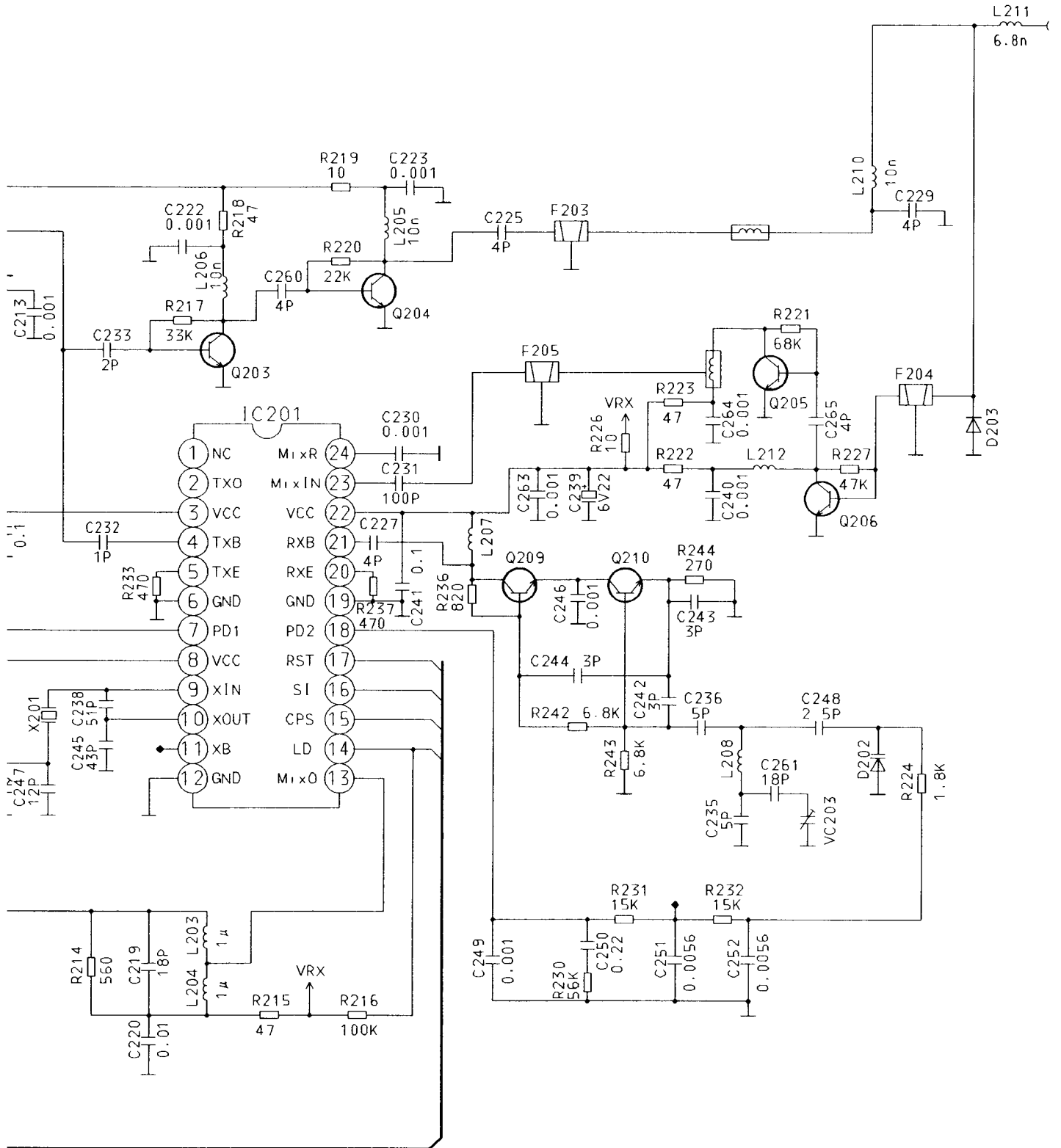
R215 C101

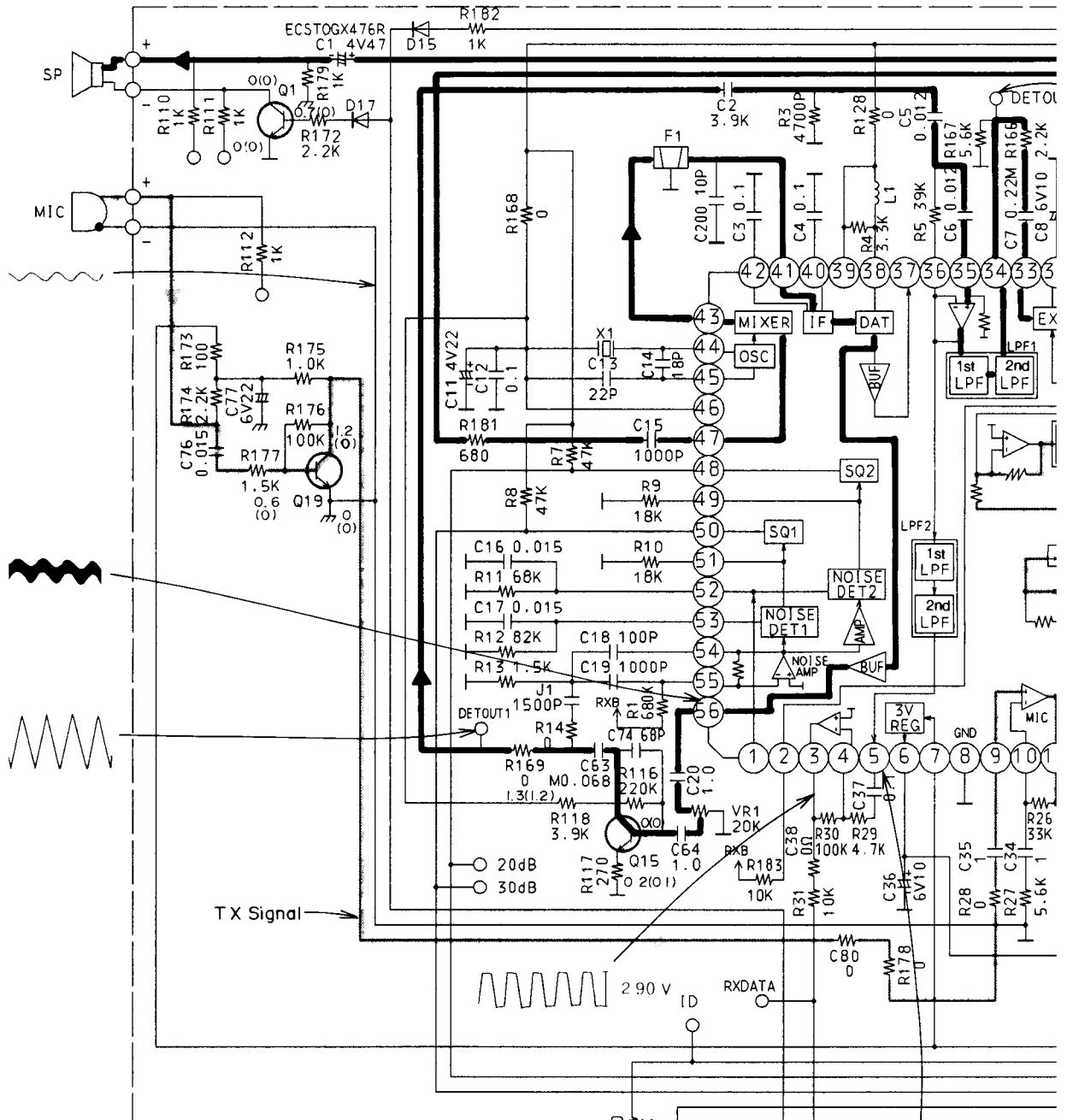
6.8K 0.0015



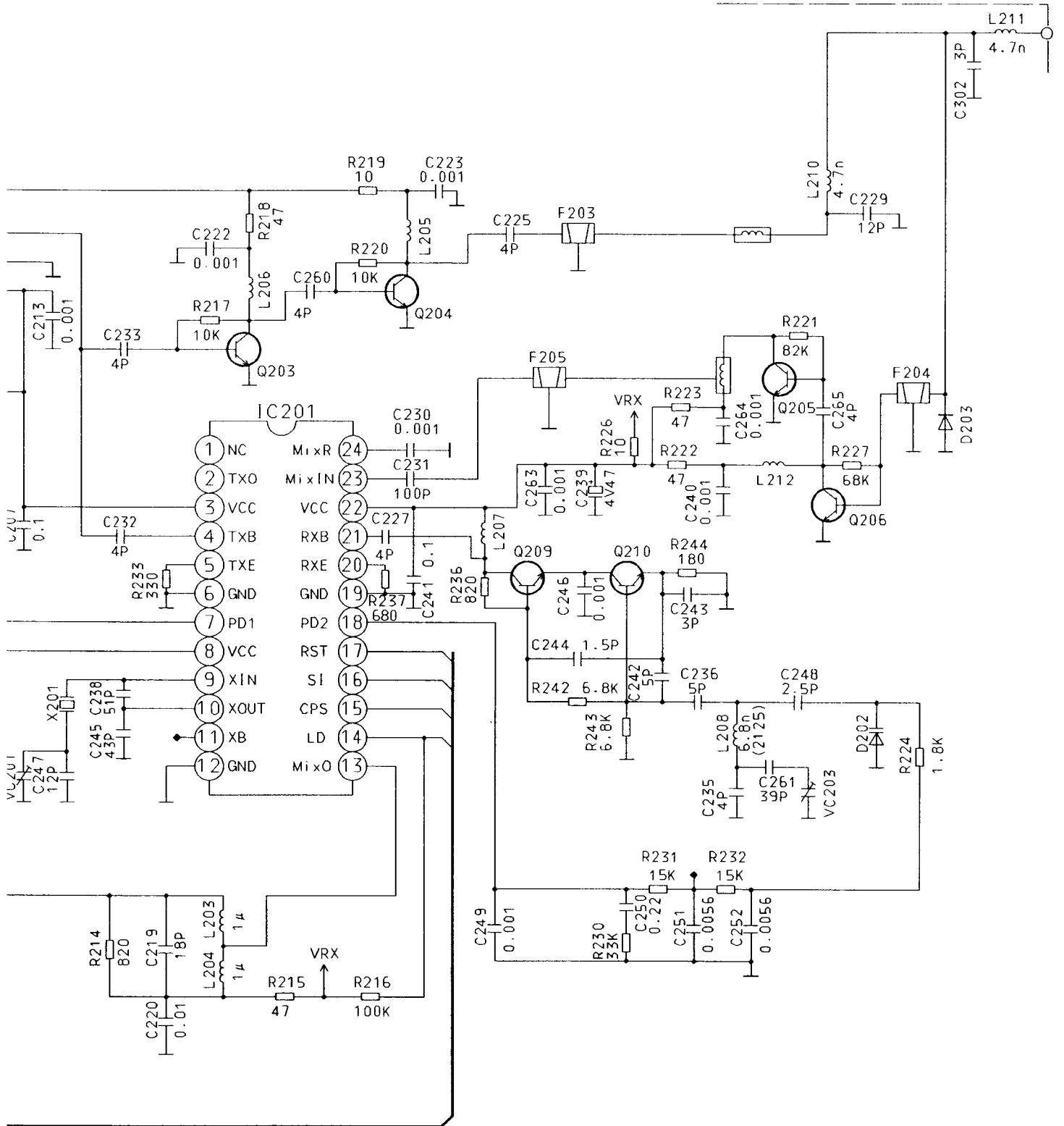


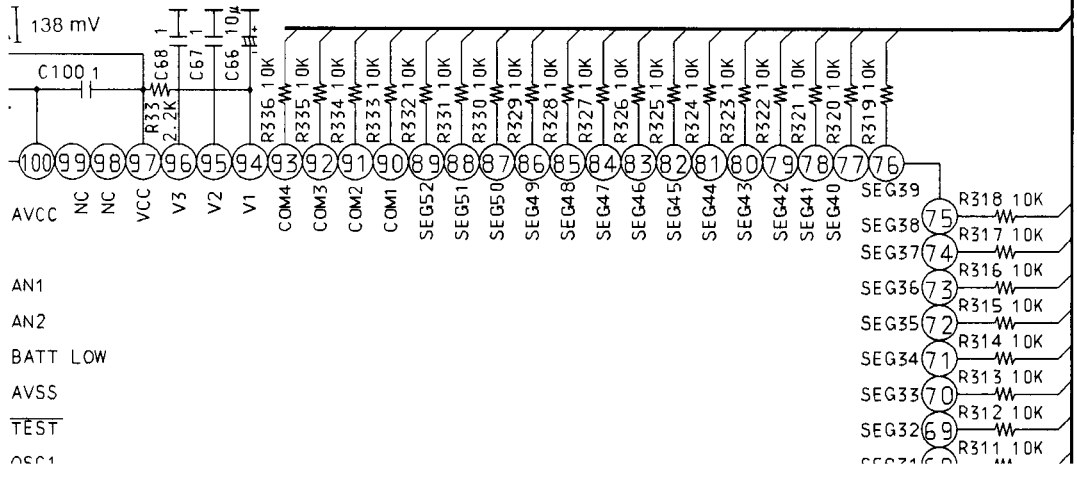
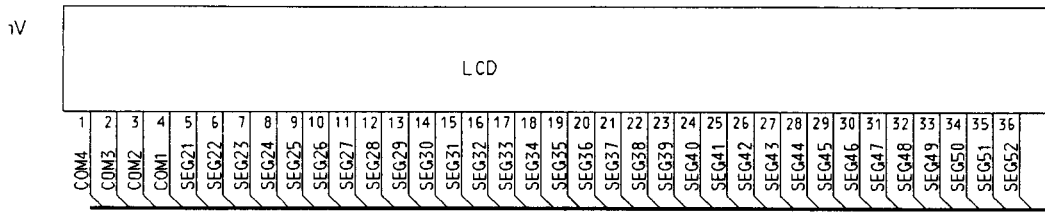
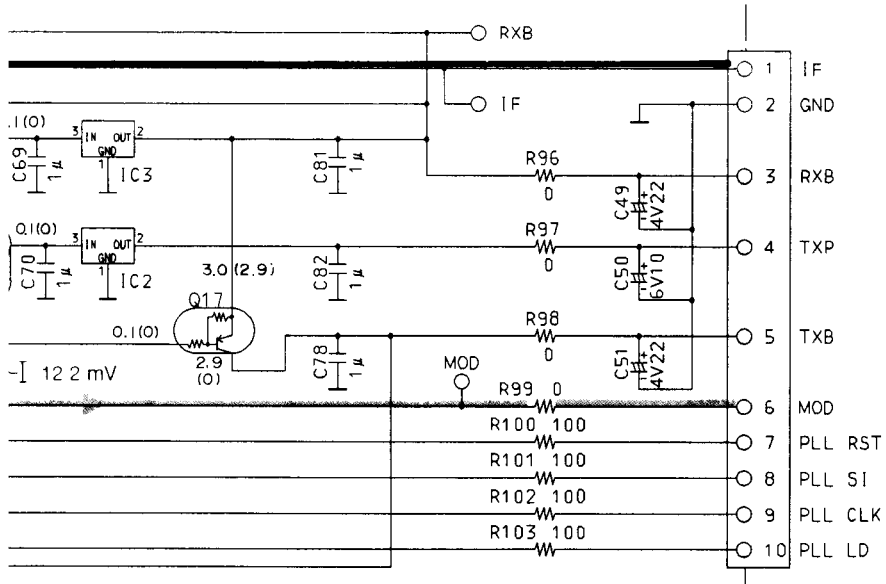
:-EINHEIT)



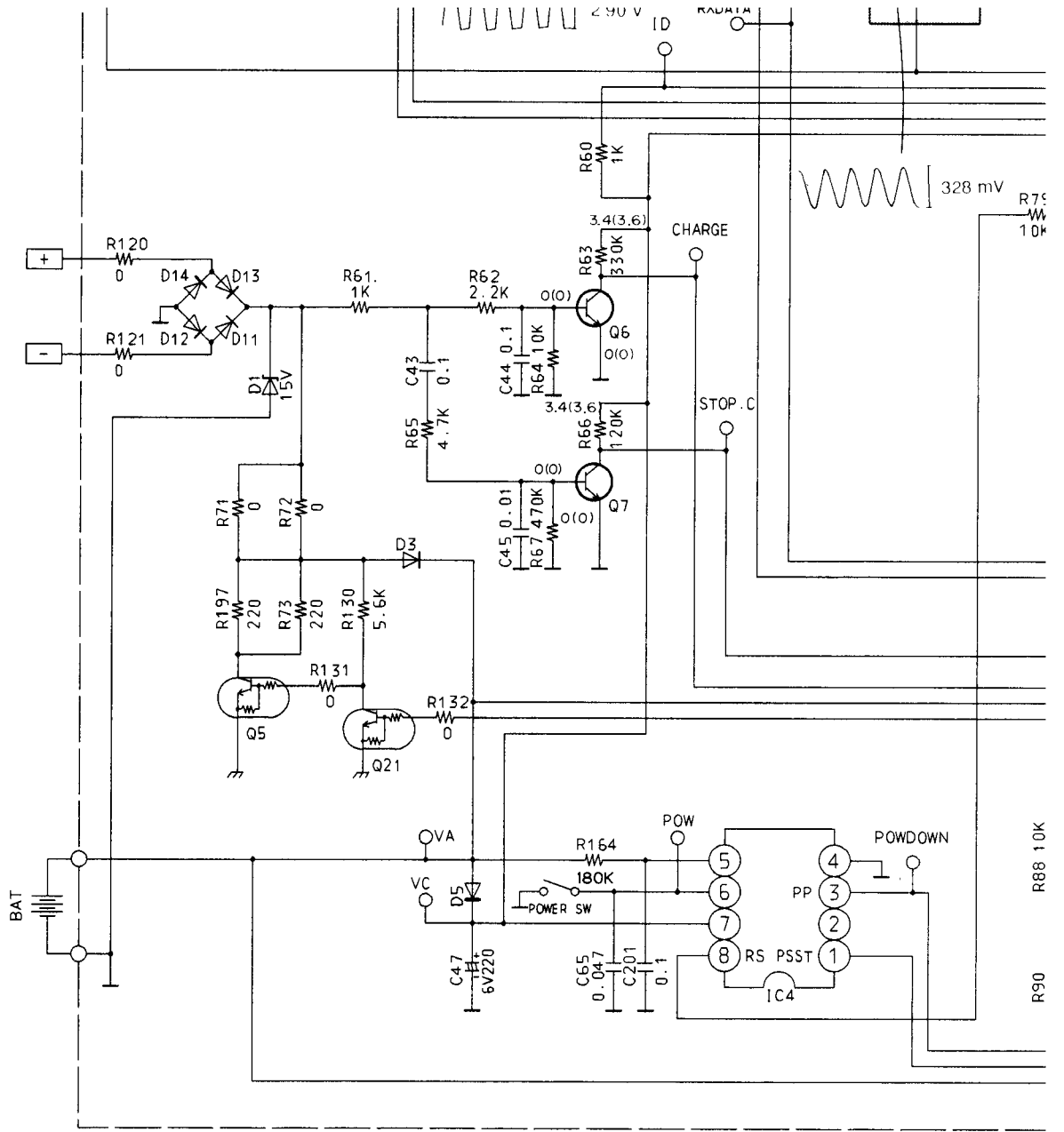


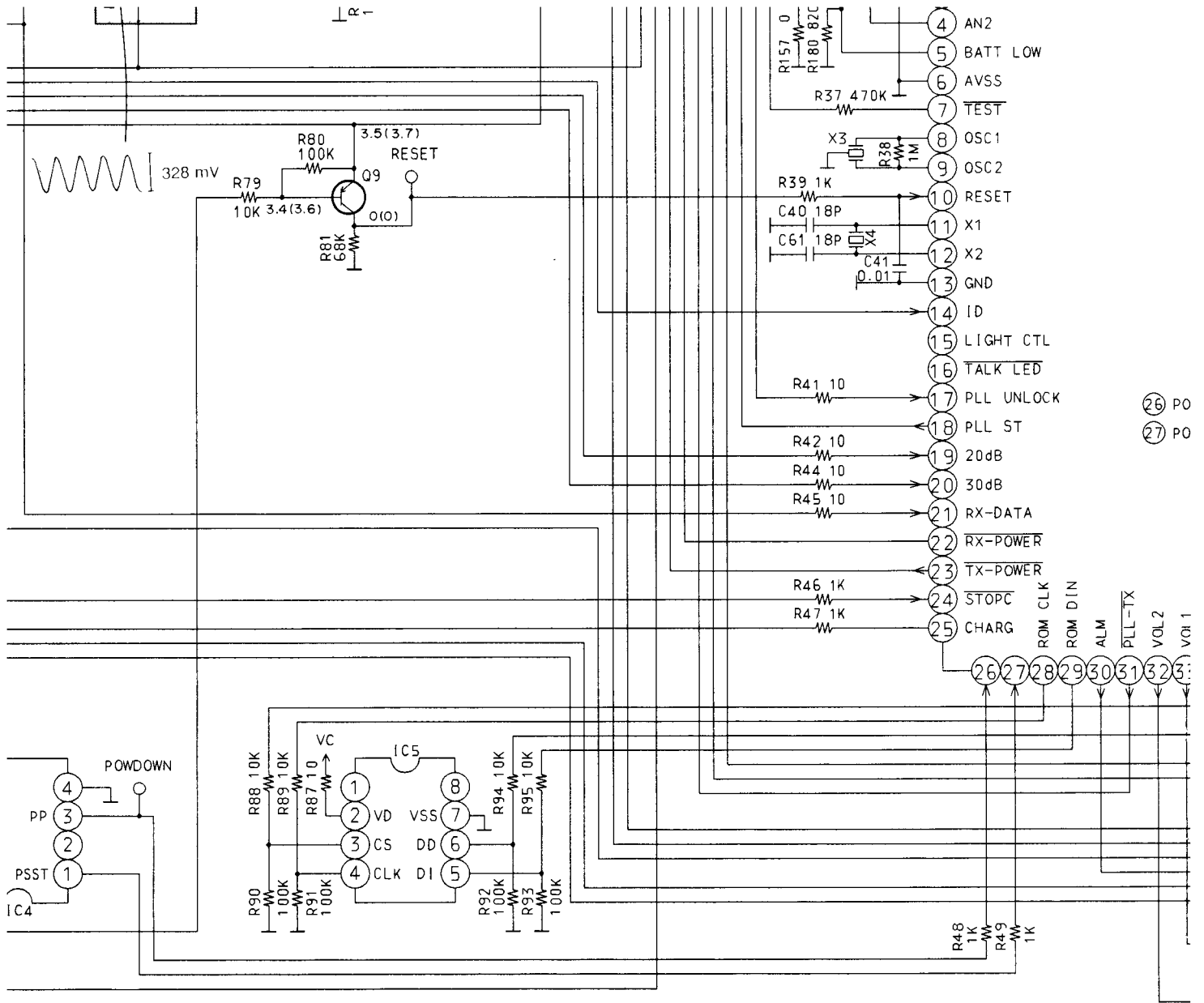
INHEIT)





AN1
 AN2
 BATT LOW
 AVSS
 TEST
 2CC1





- ④ AN2
- ⑤ BATT LOW
- ⑥ AVSS
- ⑦ TEST
- ⑧ OSC1
- ⑨ OSC2
- ⑩ RESET
- ⑪ X1
- ⑫ X2
- ⑬ GND
- ⑭ ID
- ⑮ LIGHT CTL
- ⑯ TALK LED
- ⑰ PLL UNLOCK
- ⑱ PLL ST
- ⑲ 20dB
- ⑳ 30dB
- ㉑ RX-DATA
- ㉒ RX-POWER
- ㉓ TX-POWER
- ㉔ STOPC
- ㉕ CHARG

- ㉖ POWER DOWN
- ㉗ POWER SW

④⑨~⑤⑦ KEY SCAN

- SEG35 ⑦② R315 10K
- SEG34 ⑦① R314 10K
- SEG33 ⑦⑦ R313 10K
- SEG32 ⑥⑨ R312 10K
- SEG31 ⑥⑧ R311 10K
- SEG30 ⑥⑦ R310 10K
- SEG29 ⑥⑥ R309 10K
- SEG28 ⑥⑤ R308 10K
- SEG27 ⑥④ R307 10K
- SEG26 ⑥③ R306 10K
- SEG25 ⑥② R305 10K
- SEG24 ⑥① R304 10K
- SEG23 ⑥⑦ R303 10K
- SEG22 ⑤⑨ R302 10K
- SEG21 ⑤⑧ R301 10K

