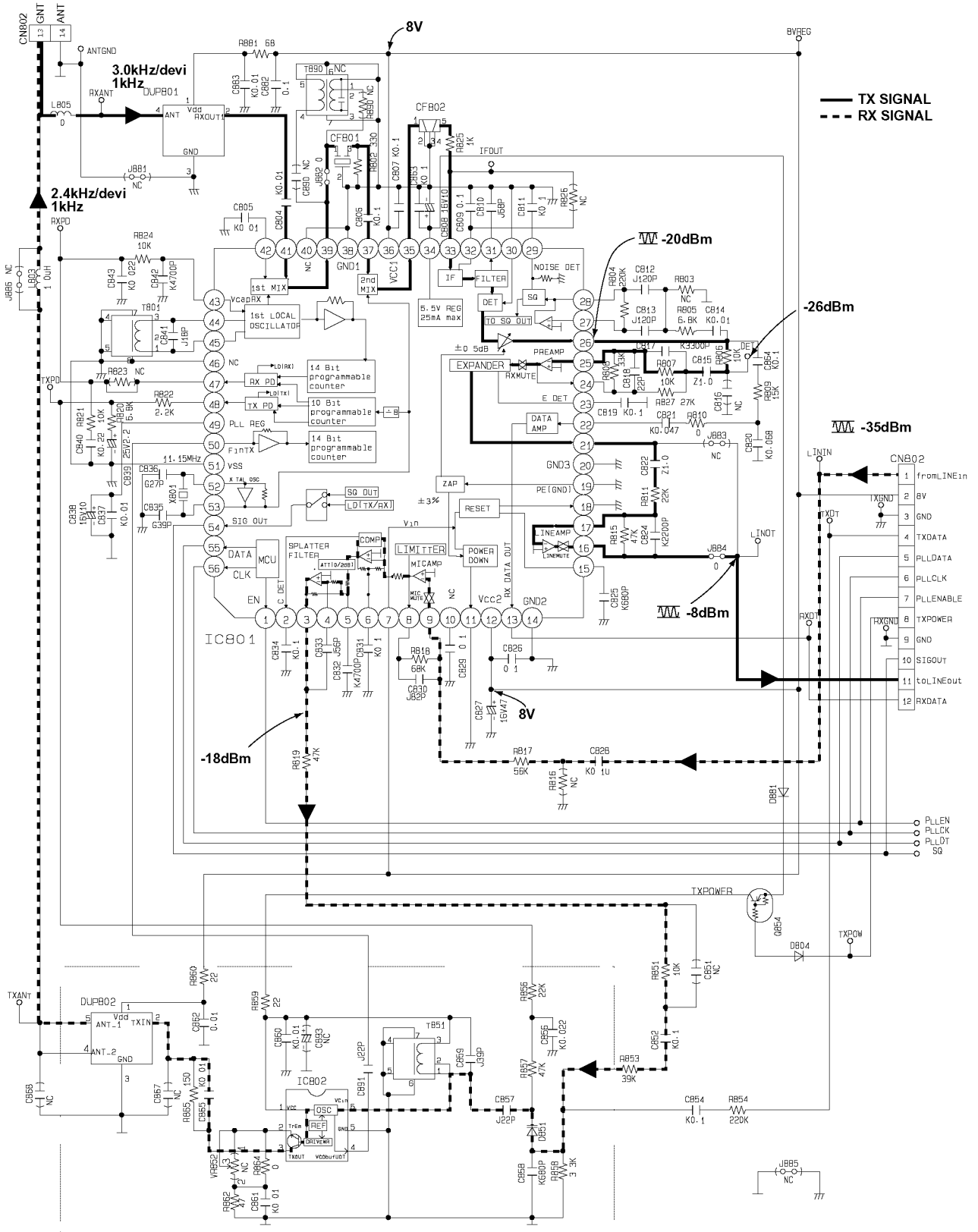
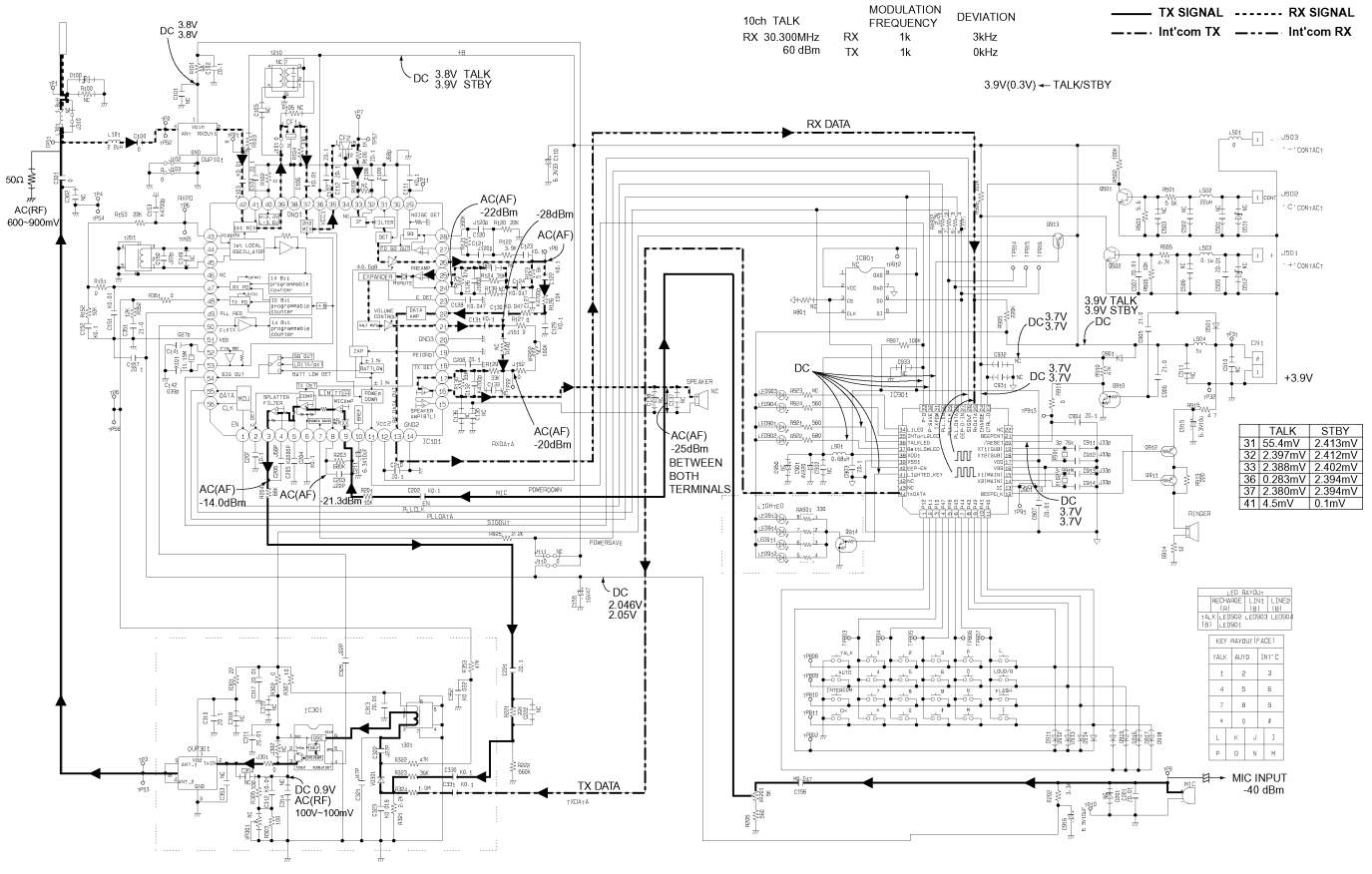


# 16 SCHEMATIC DIAGRAM RF (Base Unit)



### 18.2. Handset



# 18 SCHEMATIC DIAGRAM

## 18.1. Base Unit

