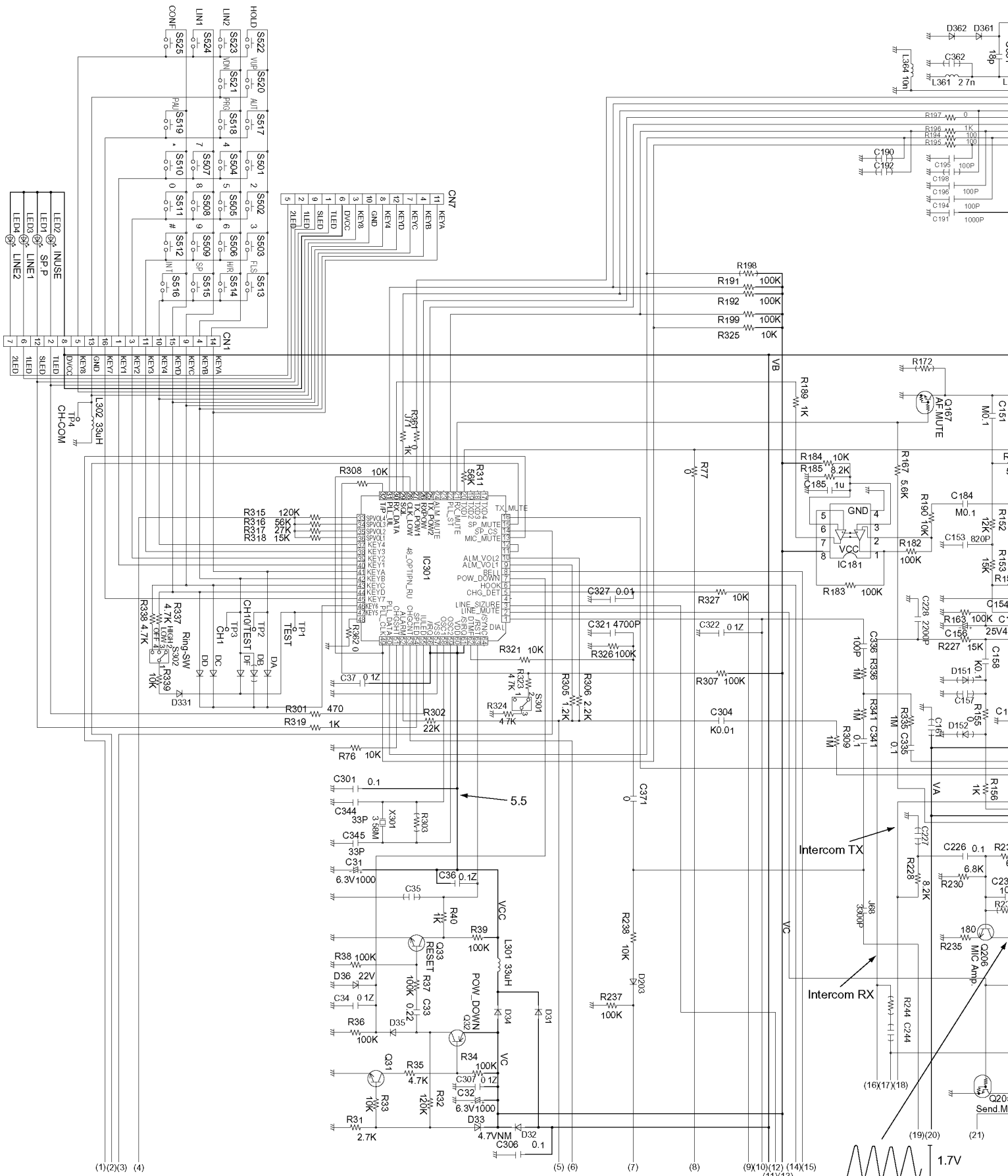
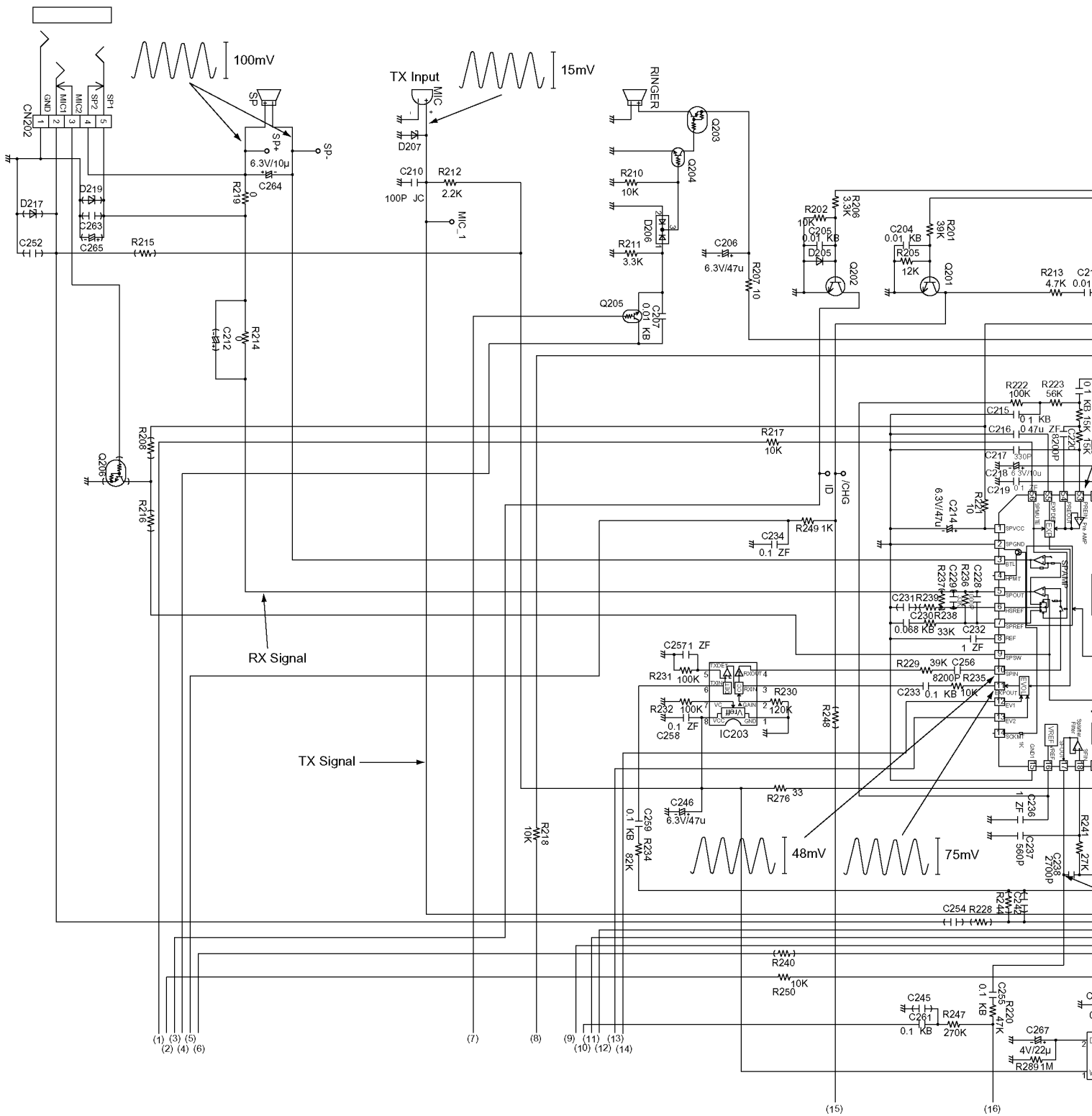


Схема радиотелефона PANASONIC KX-TC976-BXB





Notes:

1. DC voltage measurements are taken with voltmeter from the negative voltage line.

This schematic diagram may be modified at any time with the development of new technology.

