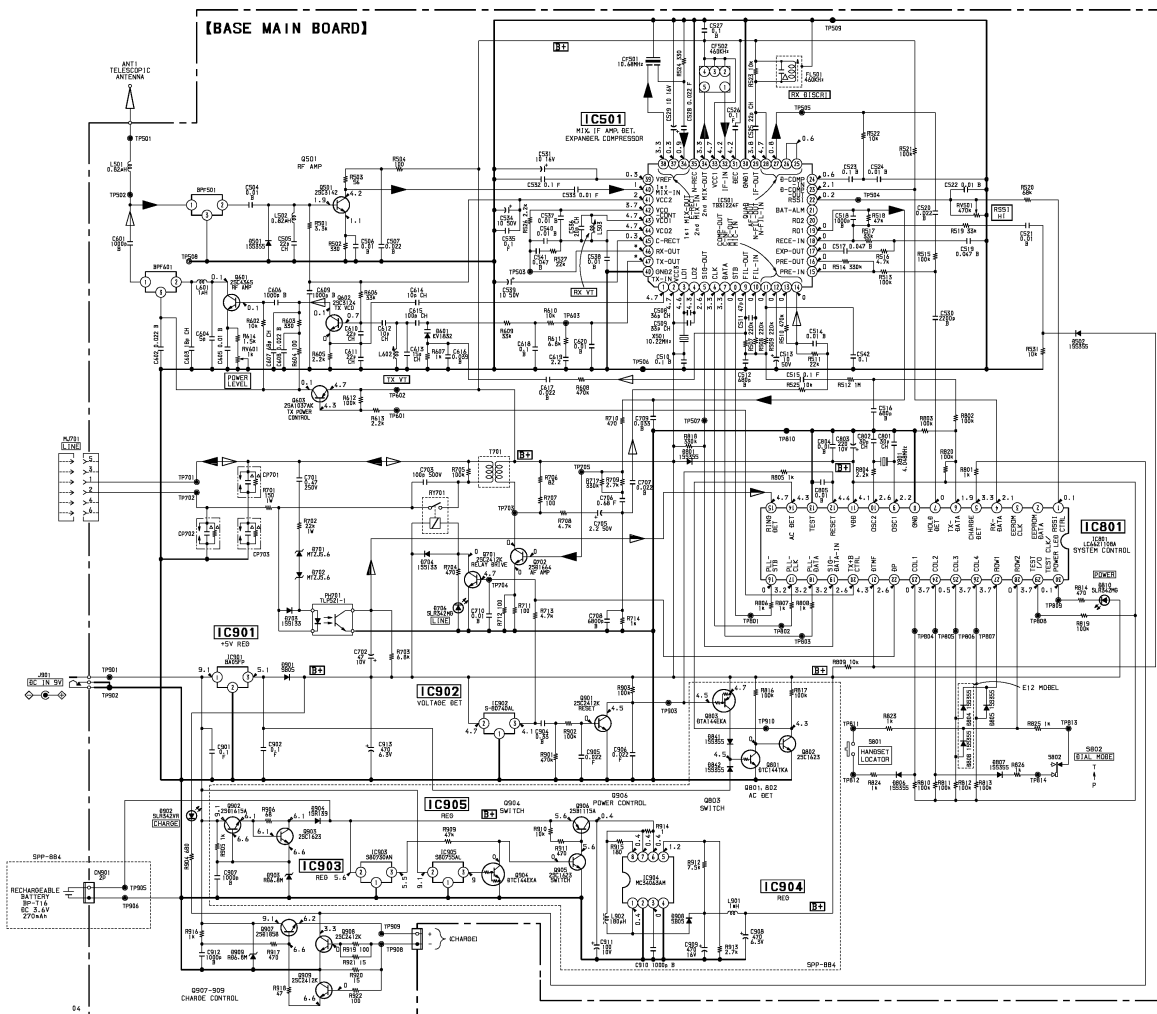
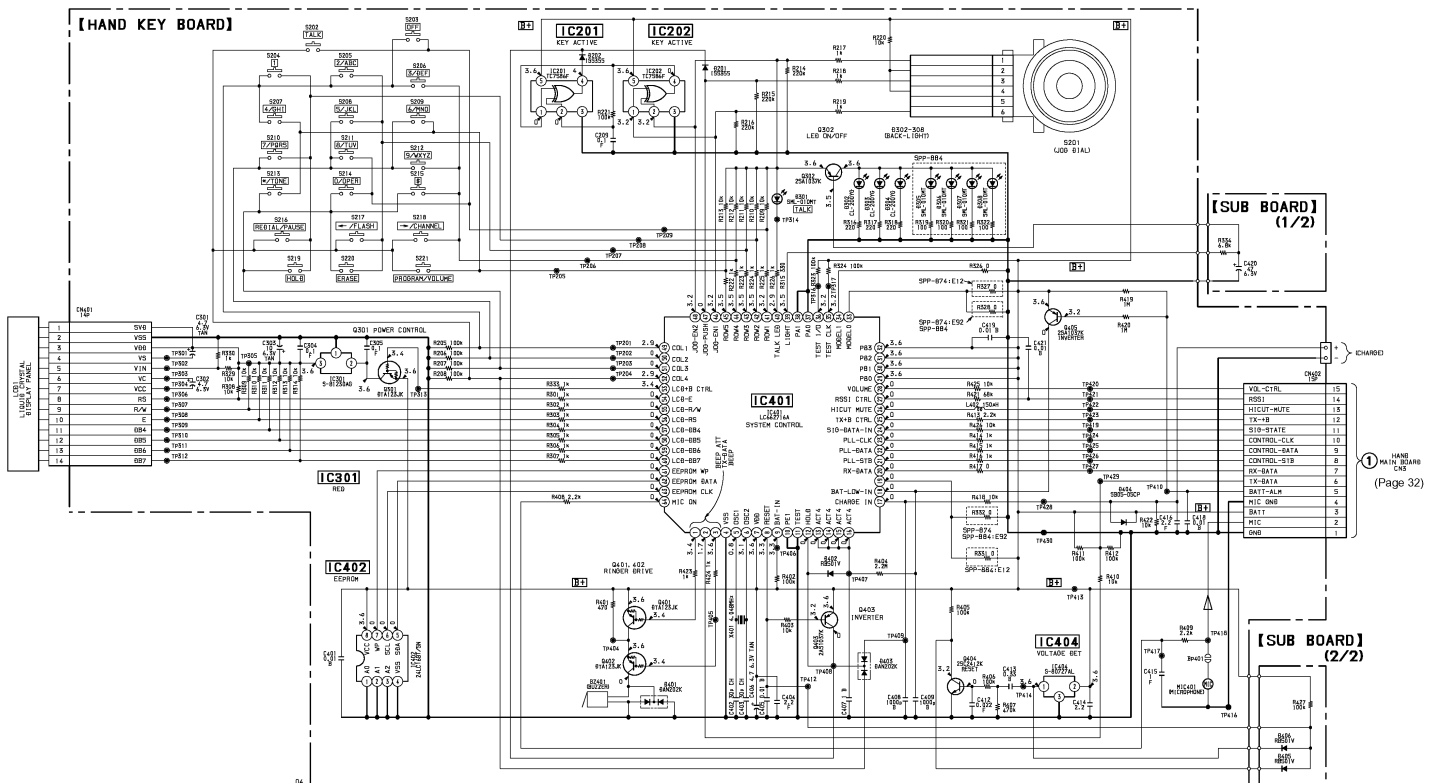


Схема радиотелефона SONY SPP-874, SPP-884

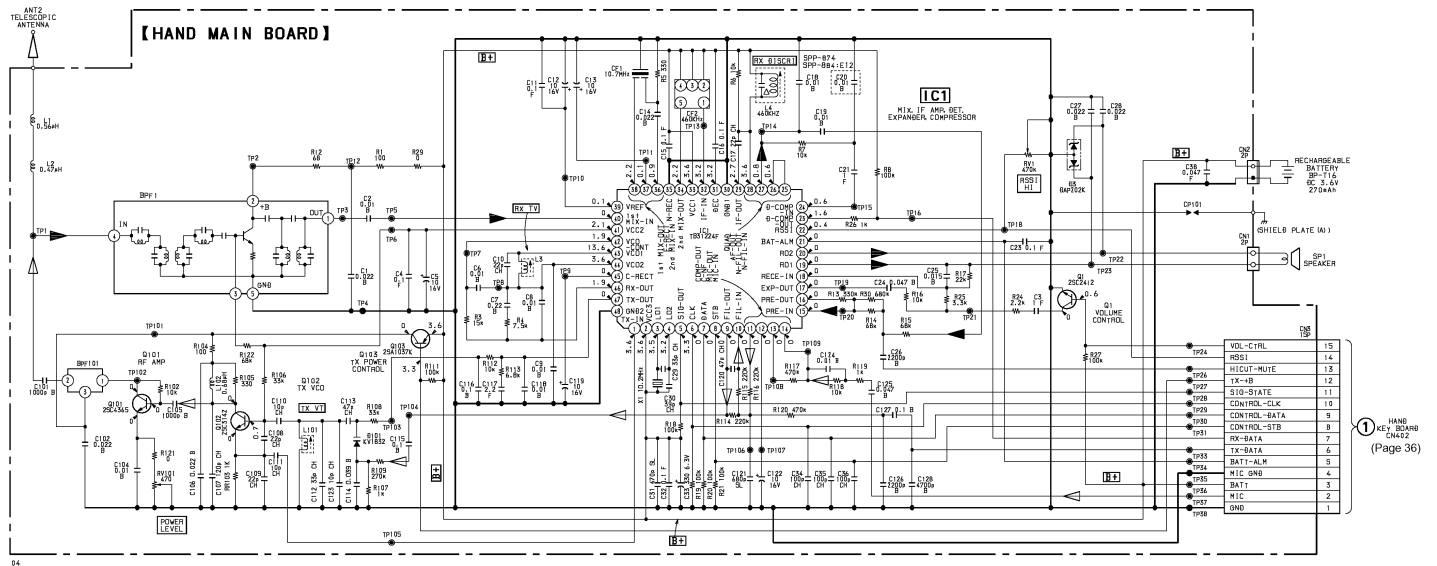
SCHEMATIC DIAGRAM — BASE SECTION —



. SCHEMATIC DIAGRAM — HAND KEY SECTION



SCHEMATIC DIAGRAM — HAND MAIN SECTION —



1 HAND KEY BOARD (Page 36)