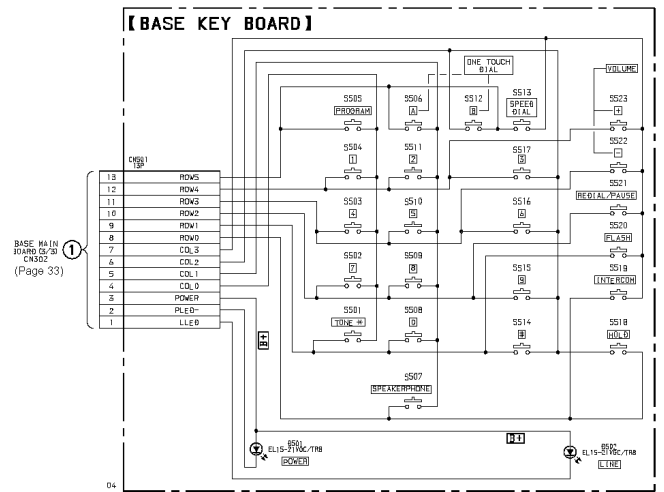
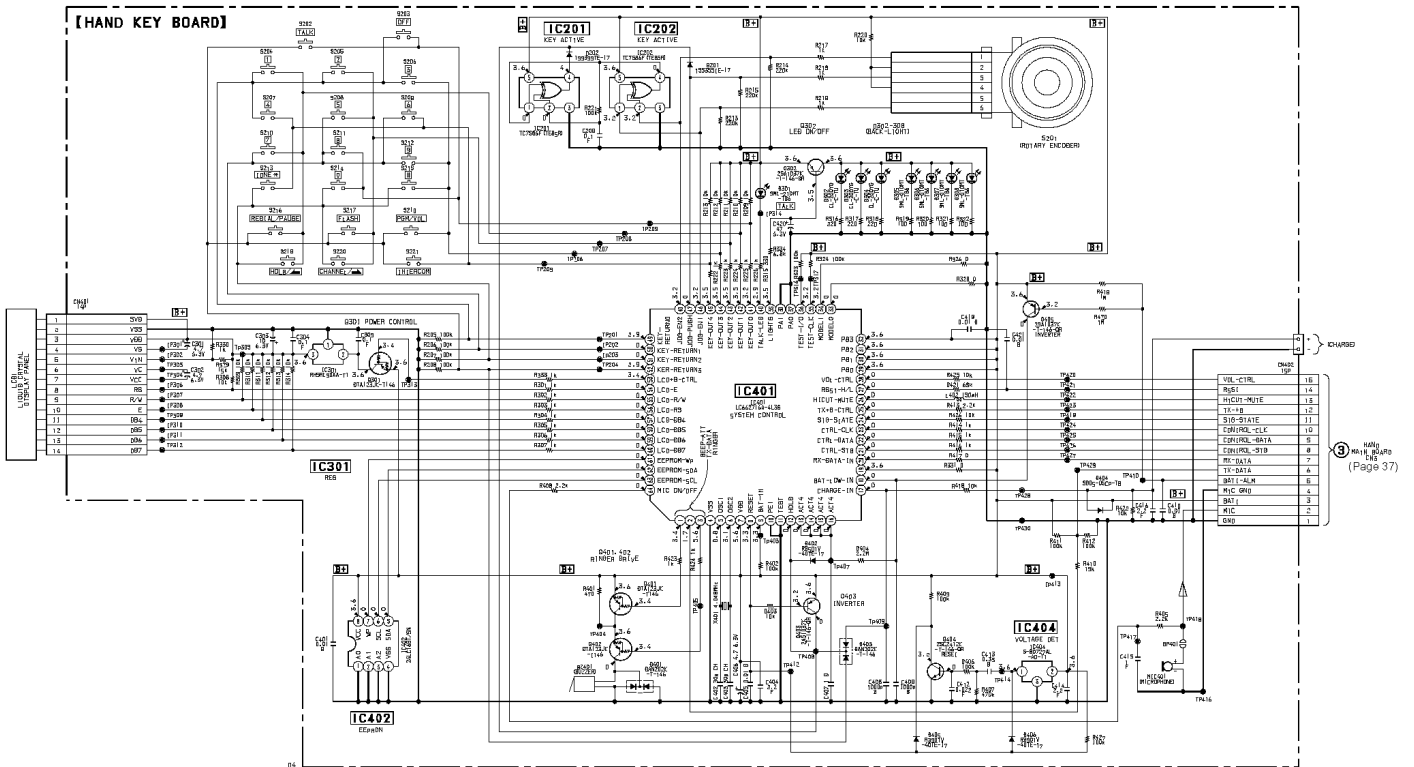


Схема радиотелефона SONY SPP-888

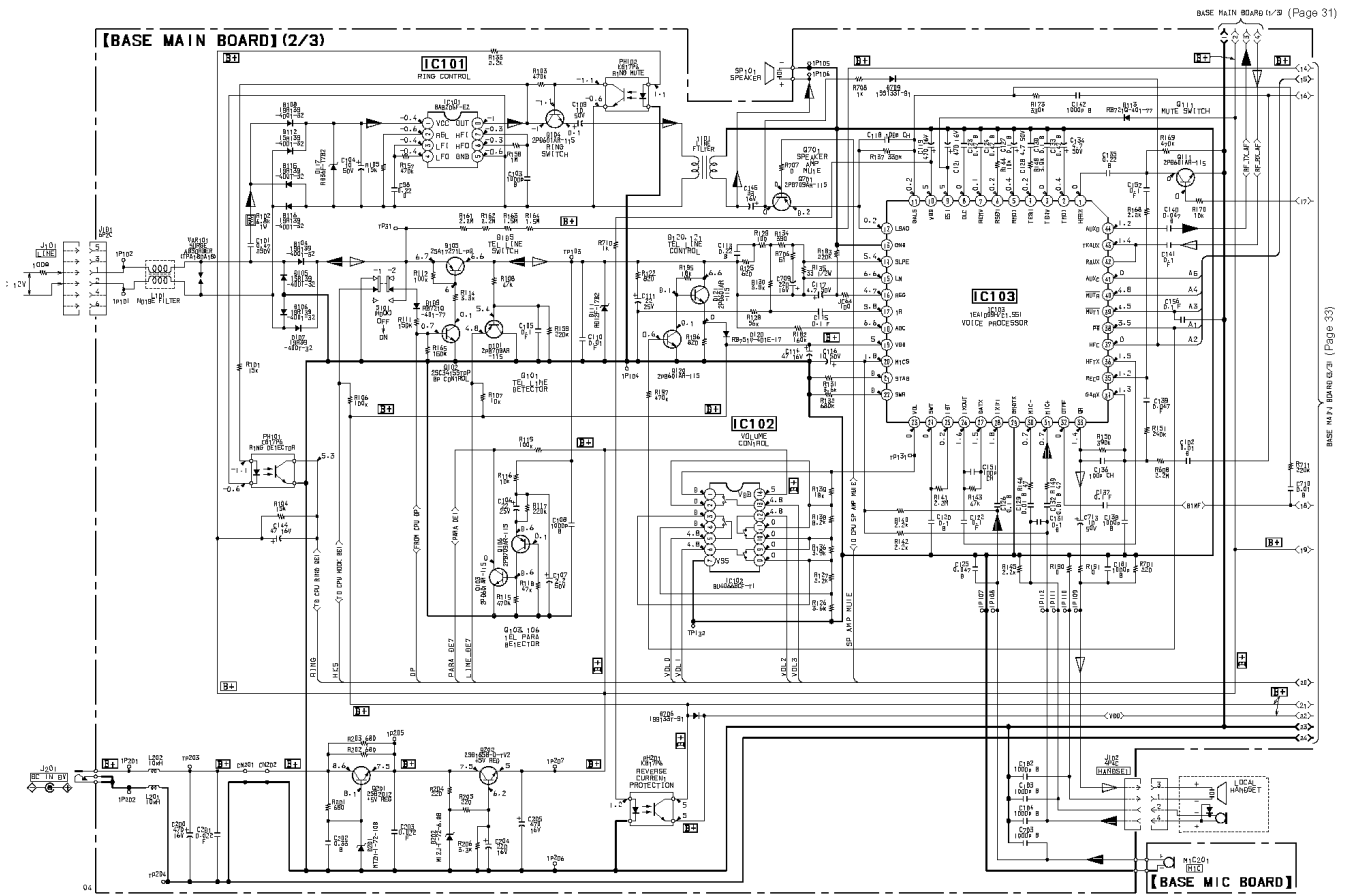
SCHEMATIC DIAGRAM — BASE KEY SECTION —



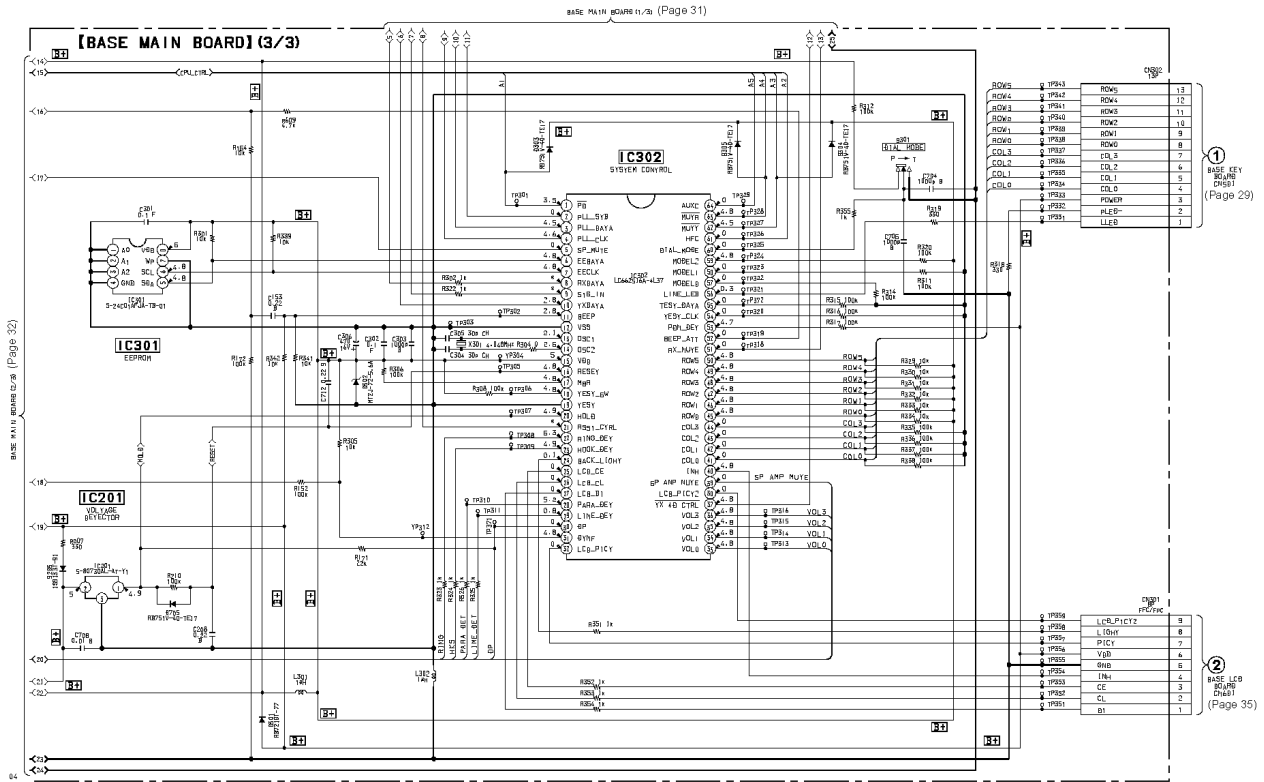
5-15. SCHEMATIC DIAGRAM — HAND KEY SECTION



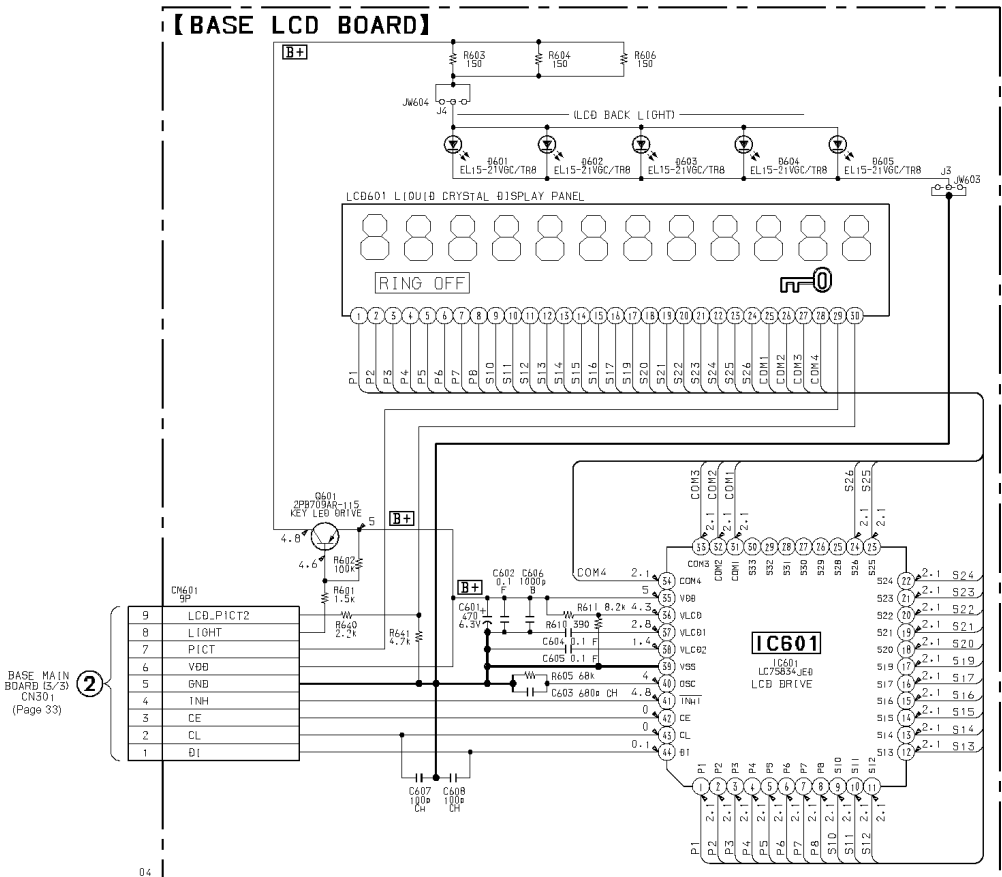
5-8. SCHEMATIC DIAGRAM — BASE MAIN (2/3) SECTION -



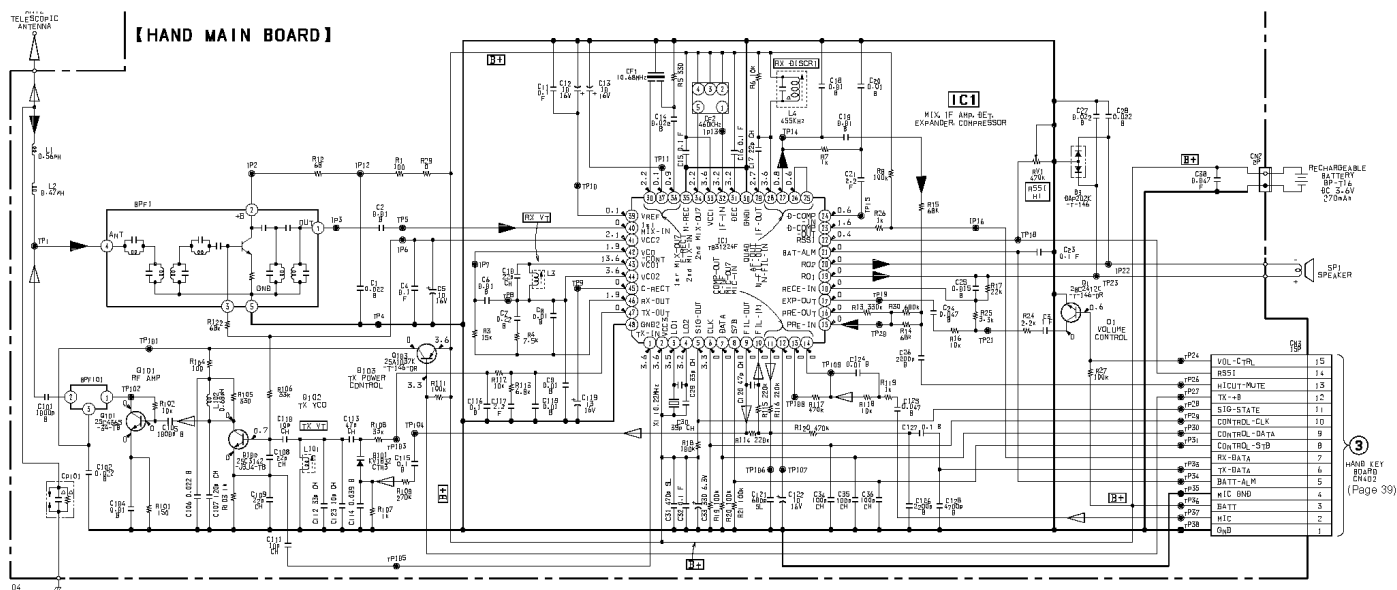
5-9. SCHEMATIC DIAGRAM — BASE MAIN (3/3) SECTION — • Refer to page 41 for IC Block Diagrams.



5-11. SCHEMATIC DIAGRAM — BASE LCD SECTION — • Refer to page 41 for IC Block Diagrams.



5-13. SCHEMATIC DIAGRAM — HAND MAIN SECTION —



SCHEMATIC DIAGRAM — BASE MAIN (1/3) SECTION —

