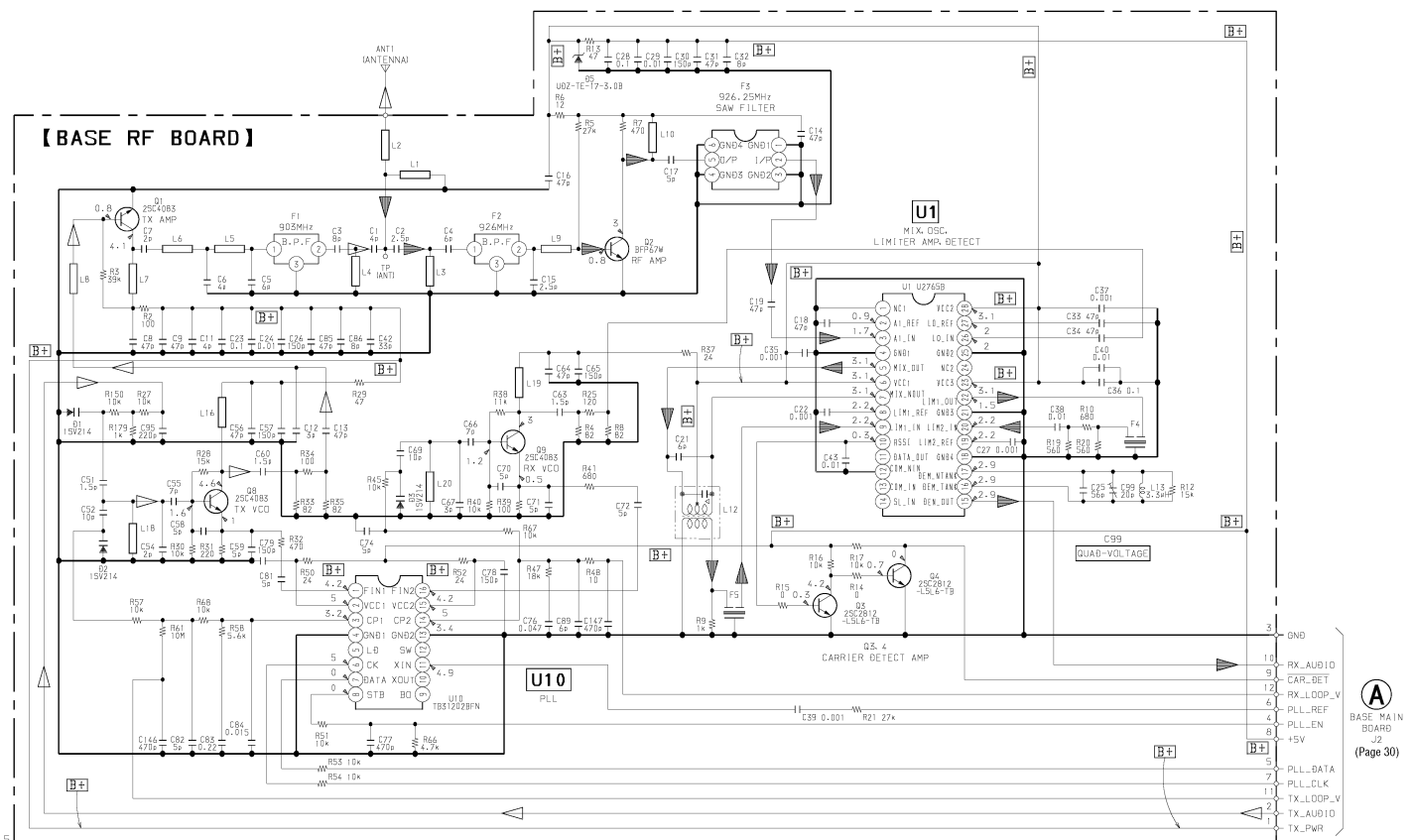
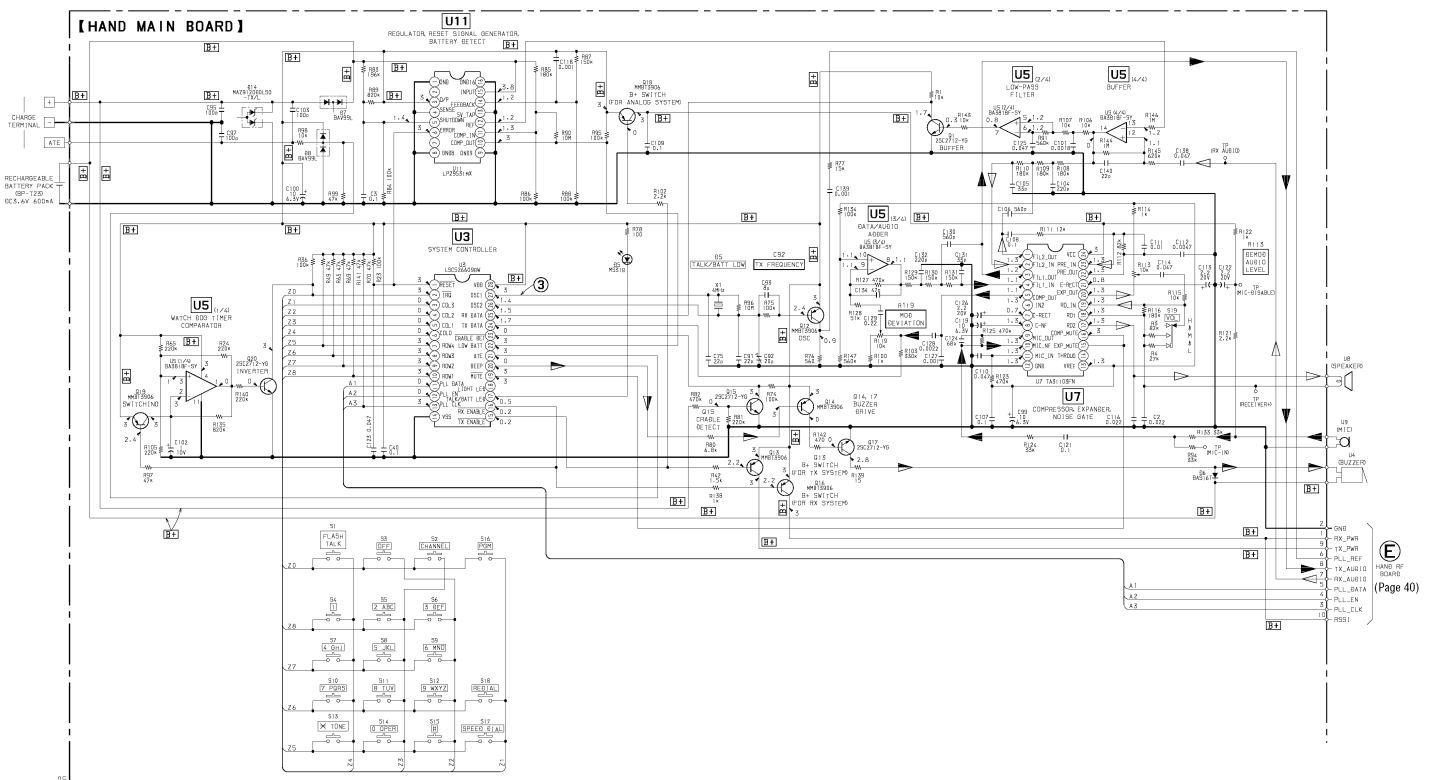


Схема радиотелефона SONY SPP-A941

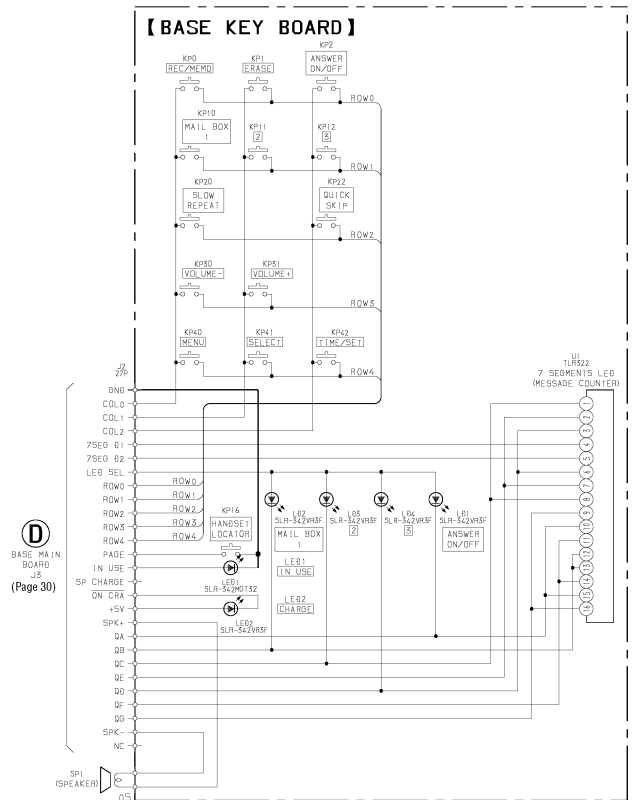
5-6. SCHEMATIC DIAGRAM – BASE RF Board



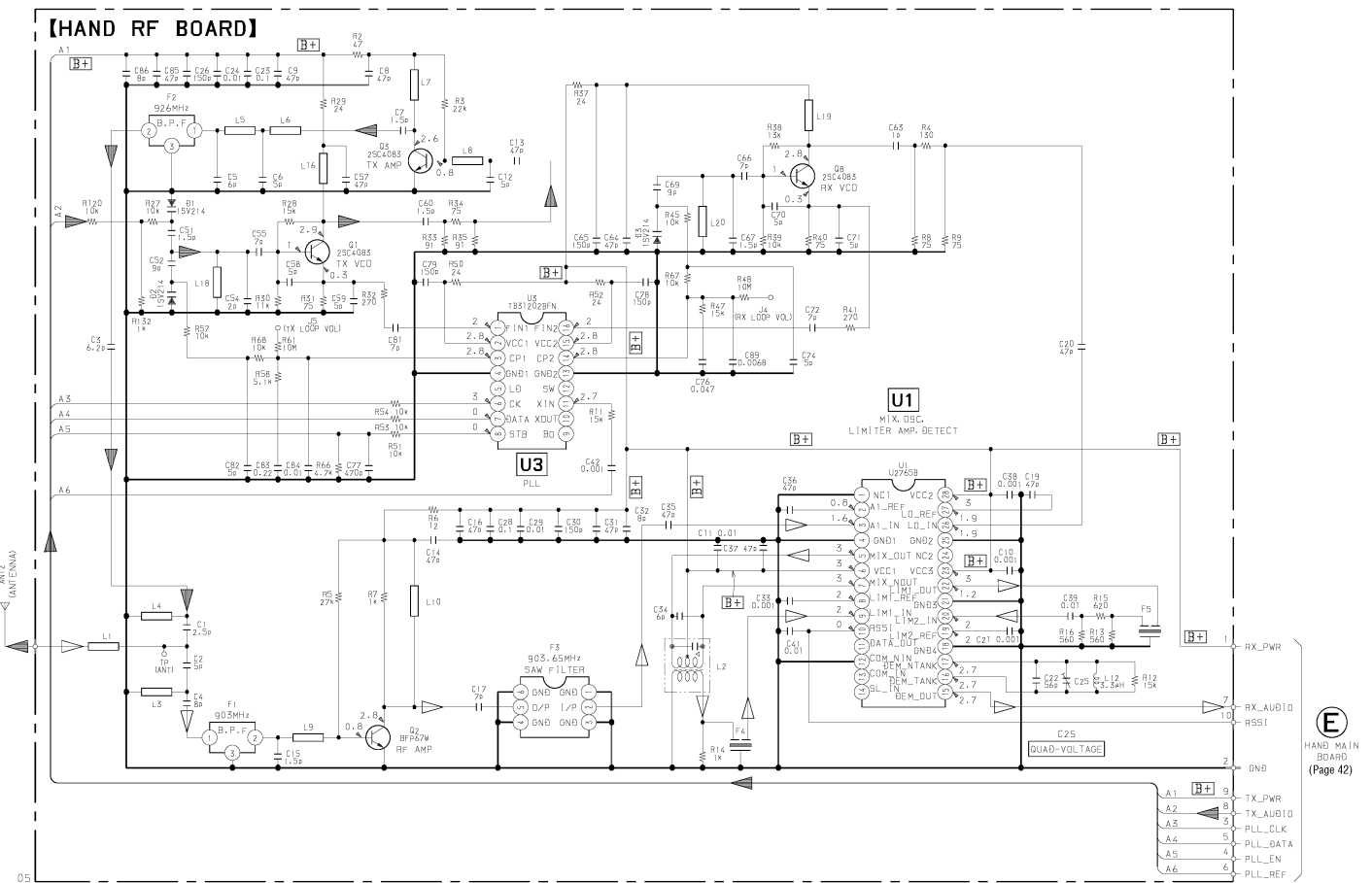
5-15. SCHEMATIC DIAGRAM – HAND MAIN Board



. SCHEMATIC DIAGRAM – BASE KEY Board –



5-14. SCHEMATIC DIAGRAM – HAND RF Board



SCHEMATIC DIAGRAM – BASE MAIN Board -

