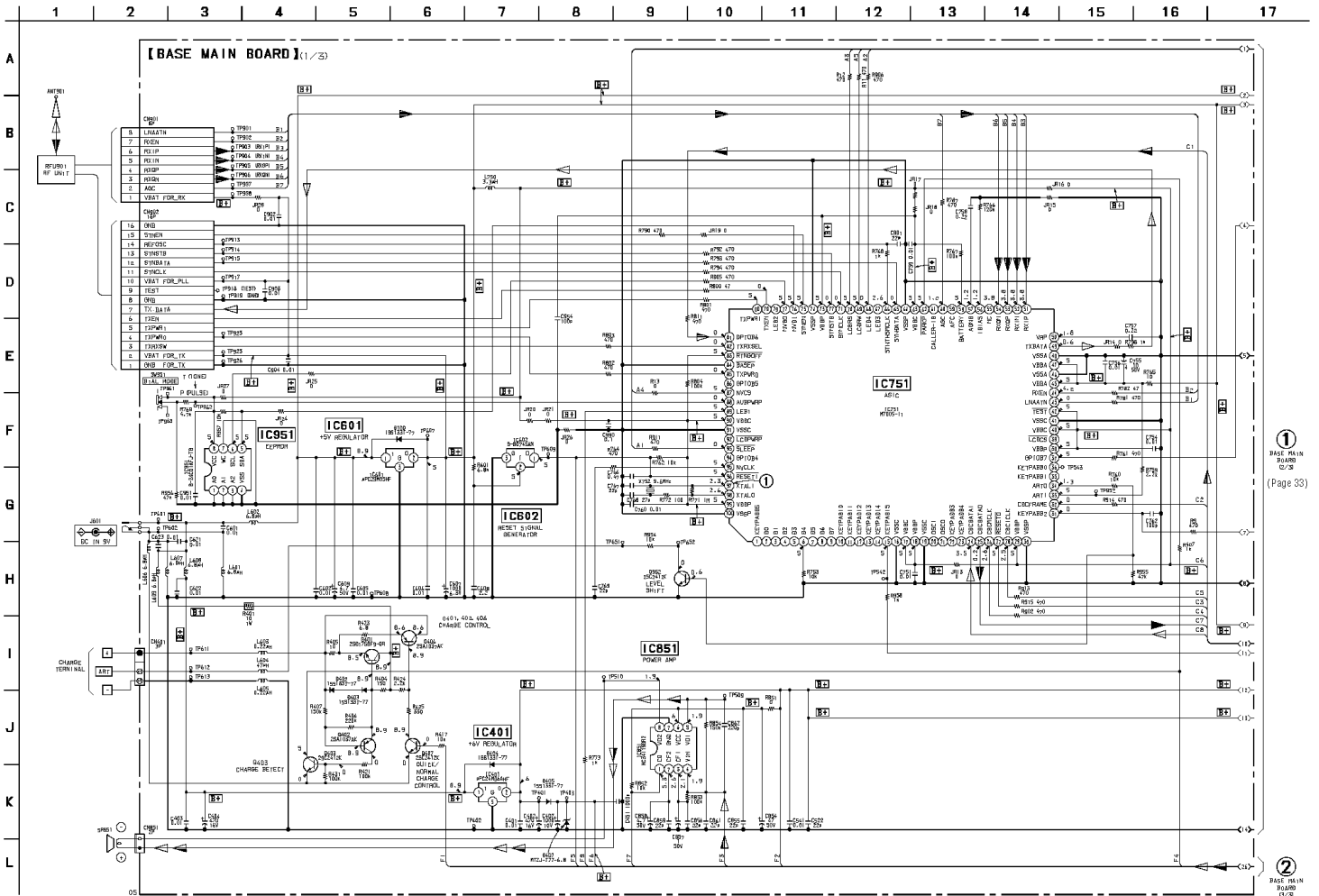


# Схема радиотелефона SONY SPP-A968

SPP-A968

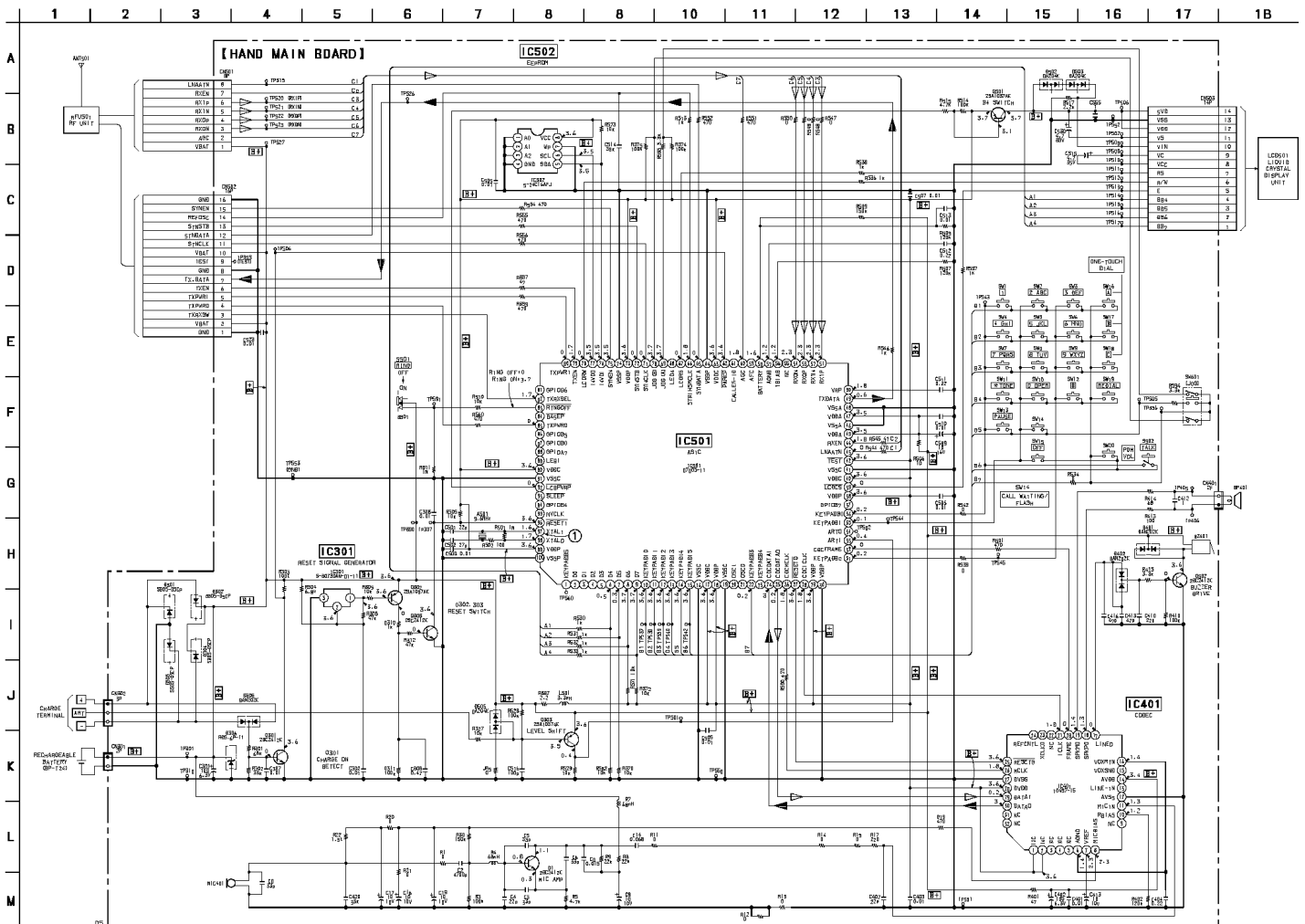
6-5. SCHEMATIC DIAGRAM – BASE MAIN Board (1/3) – • See page 31 for Waveform. • See page 42 for IC Block Diagrams.



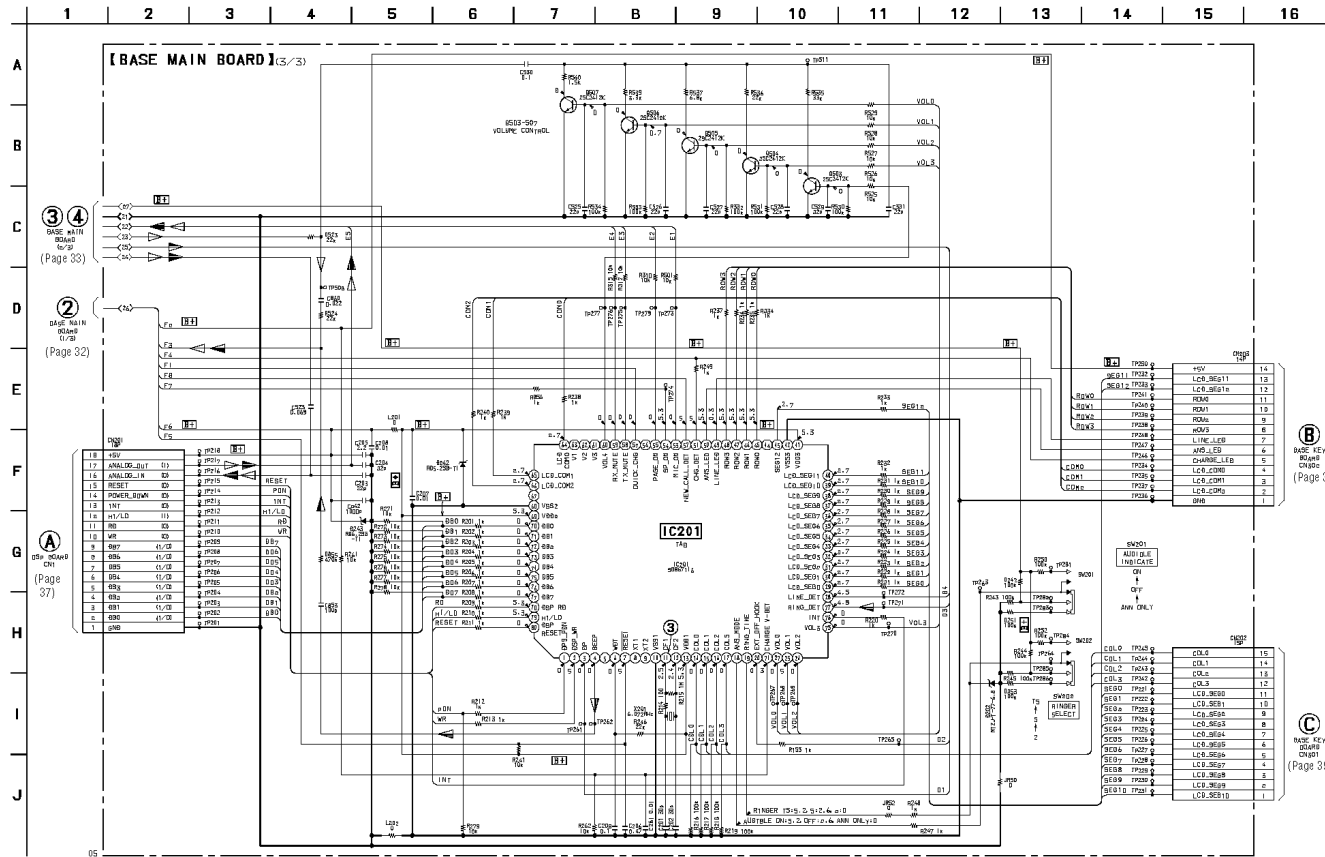
1 BASE MAIN BOARD (1/3) (Page 33)

2 BASE MAIN BOARD (2/3) (Page 34)

6-14. SCHEMATIC DIAGRAM – HAND MAIN Board – • See page 31 for Waveform. • See page 42 for IC Block Diagrams.



6-7. SCHEMATIC DIAGRAM – BASE MAIN Board (3/3) – See page 31 for Waveform.



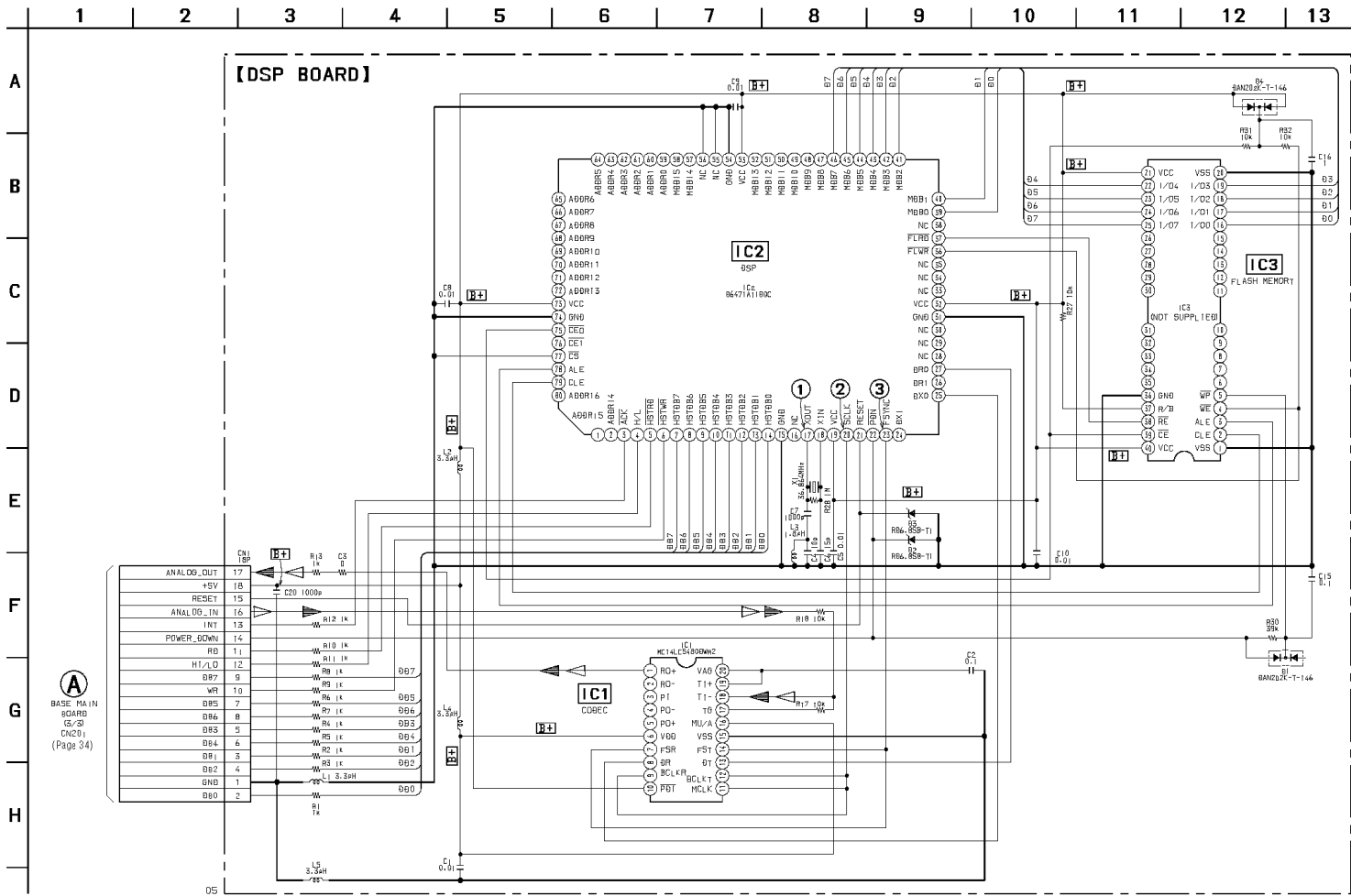
• Semiconductor Location (Side A)

Ref No	Location
D241	H-3
D243	M-5
D406	J-6
IC101	H-8
IC150	E-5
IC201	J-3
IC301	L-4
IC501	M-4
IC602	G-3
IC701	F-2
IC751	D-2
IC951	B-3
Q103	F-5
Q150	H-8
Q401	J-7
Q406	I-7
Q407	H-7
Q503	K-4
Q507	K-3
Q952	H-4

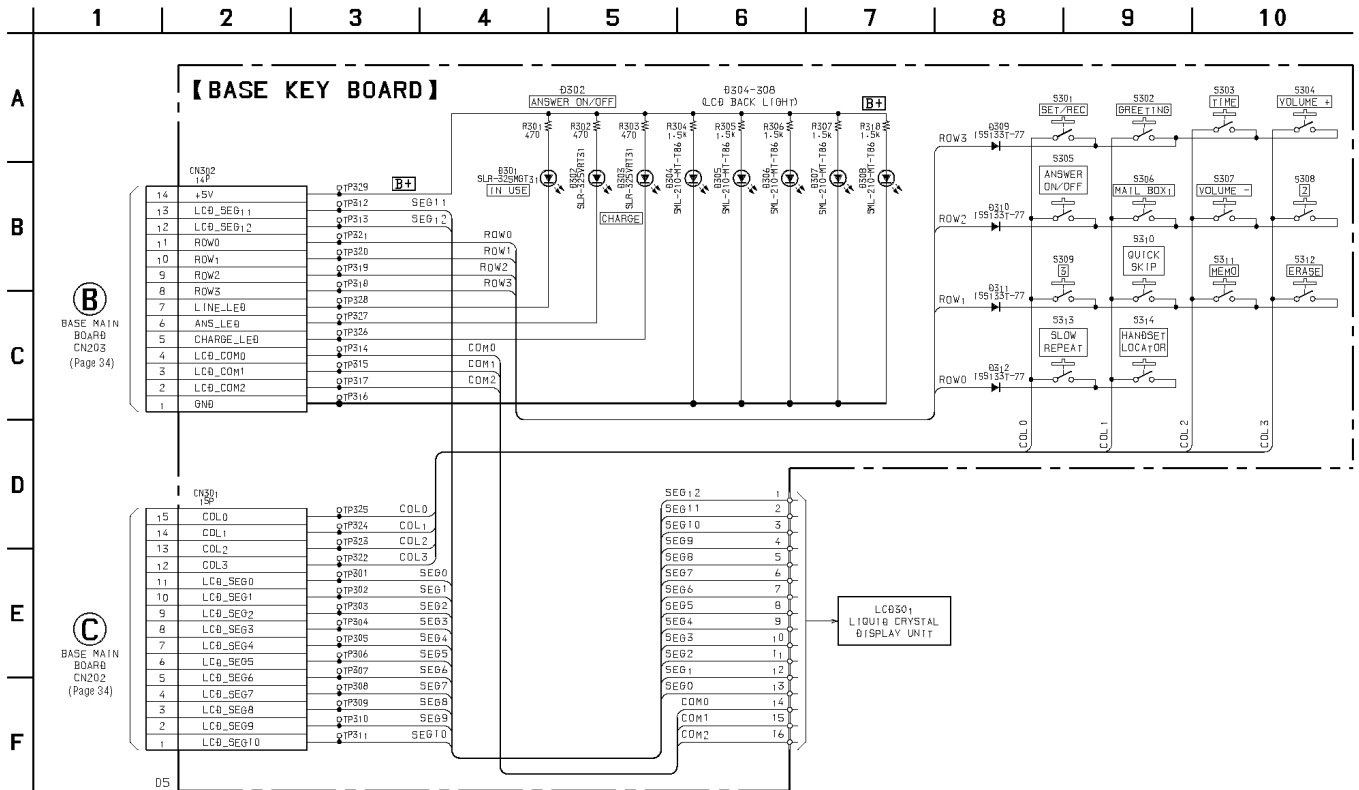
• Semiconductor Location (Side B)

Ref No	Location
D100	B-5
D102	C-10
D103	C-10
D104	E-10
D105	G-10
D108	E-2
D109	G-2
D110	F-3
D111	B-9
D112	B-9
D113	C-9
D114	C-10
D115	D-9
D150	F-5
D160	D-6
D161	D-6
D162	E-6
D163	C-6
D164	C-6
D165	E-5
D201	J-9
D202	J-10
D242	H-4
D402	I-7
D403	I-7
D404	G-6
D405	H-5
D407	H-5
D501	N-2
D502	N-2
IC401	H-6
IC601	C-5
IC851	J-6
PH101	F-10
PH102	C-7
PH103	B-7
Q101	E-7
Q102	F-9
Q104	G-8
Q105	D-10
Q106	D-9
Q107	C-8
Q108	E-6
Q109	F-5
Q171	H-9
Q402	I-7
Q403	J-7
Q502	N-3
Q504	L-4
Q505	M-4
Q506	L-3

6-10. SCHEMATIC DIAGRAM – DSP Board – • See page 31 for Waveforms. • See page 42 for IC Block Diagrams.



6-12. SCHEMATIC DIAGRAM – BASE KEY Board –



6-6. SCHEMATIC DIAGRAM – BASE MAIN Board (2/3), BASE MICROPHONE Board – • See page 31 for Waveform. • See page 42 for IC Block Diagrams.

