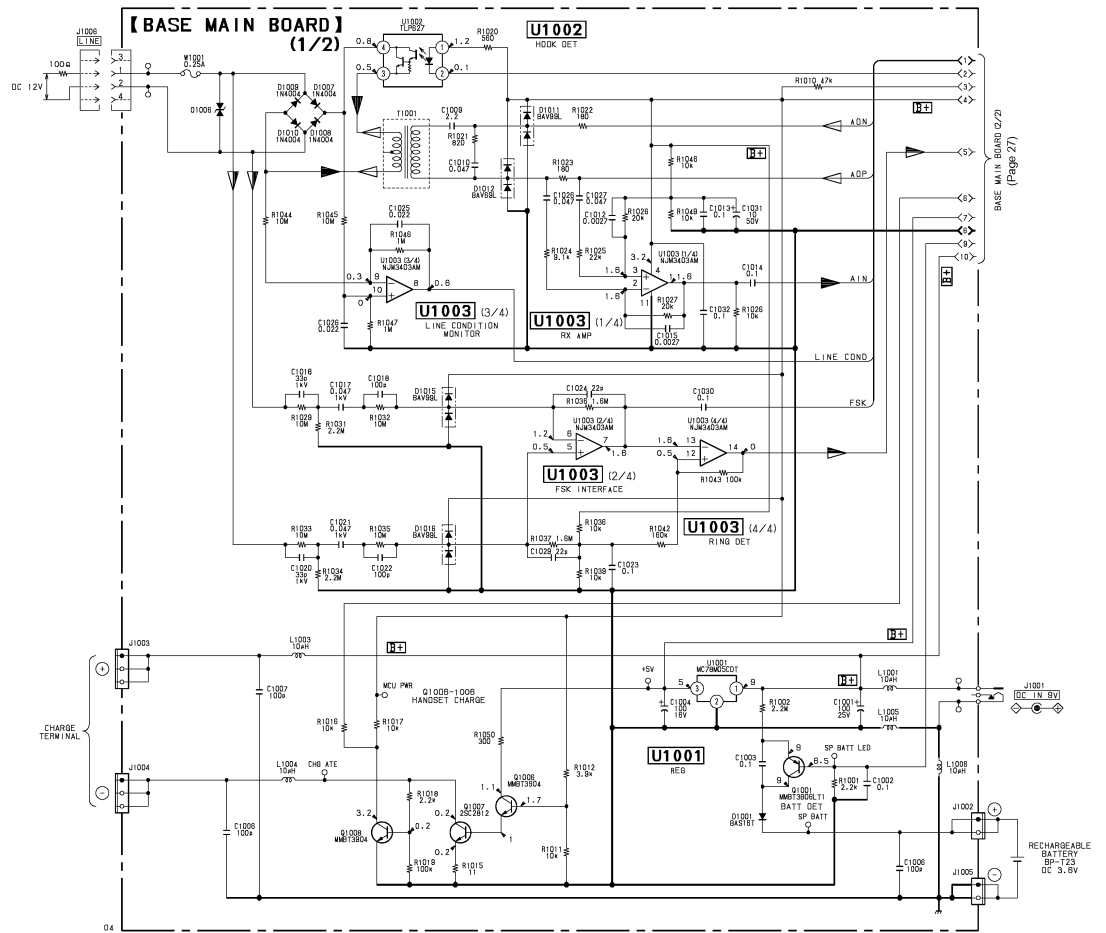
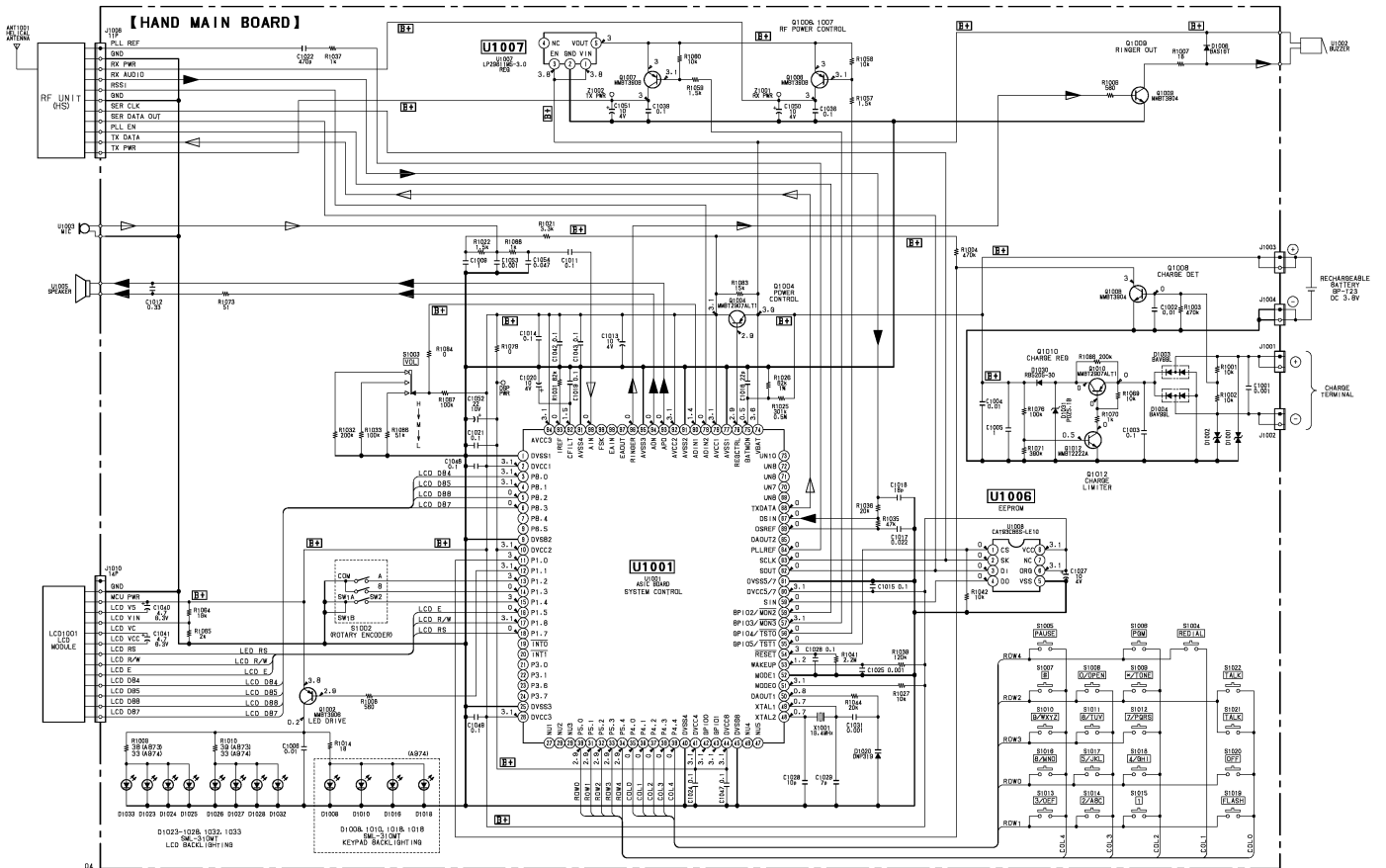


# Схема радиотелефона SONY SPP-A973, SPP-A974

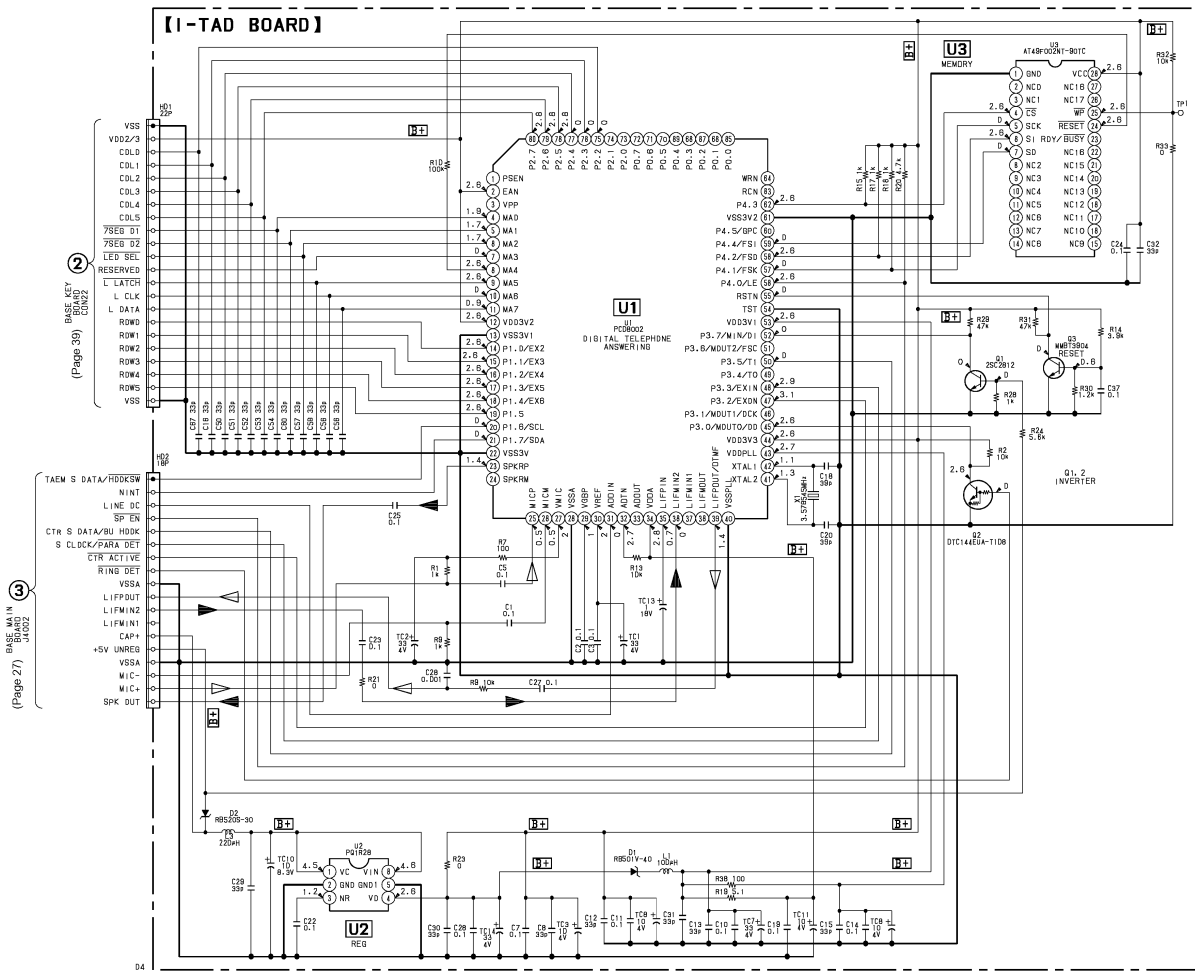
SCHEMATIC DIAGRAM — BASE MAIN SECTION



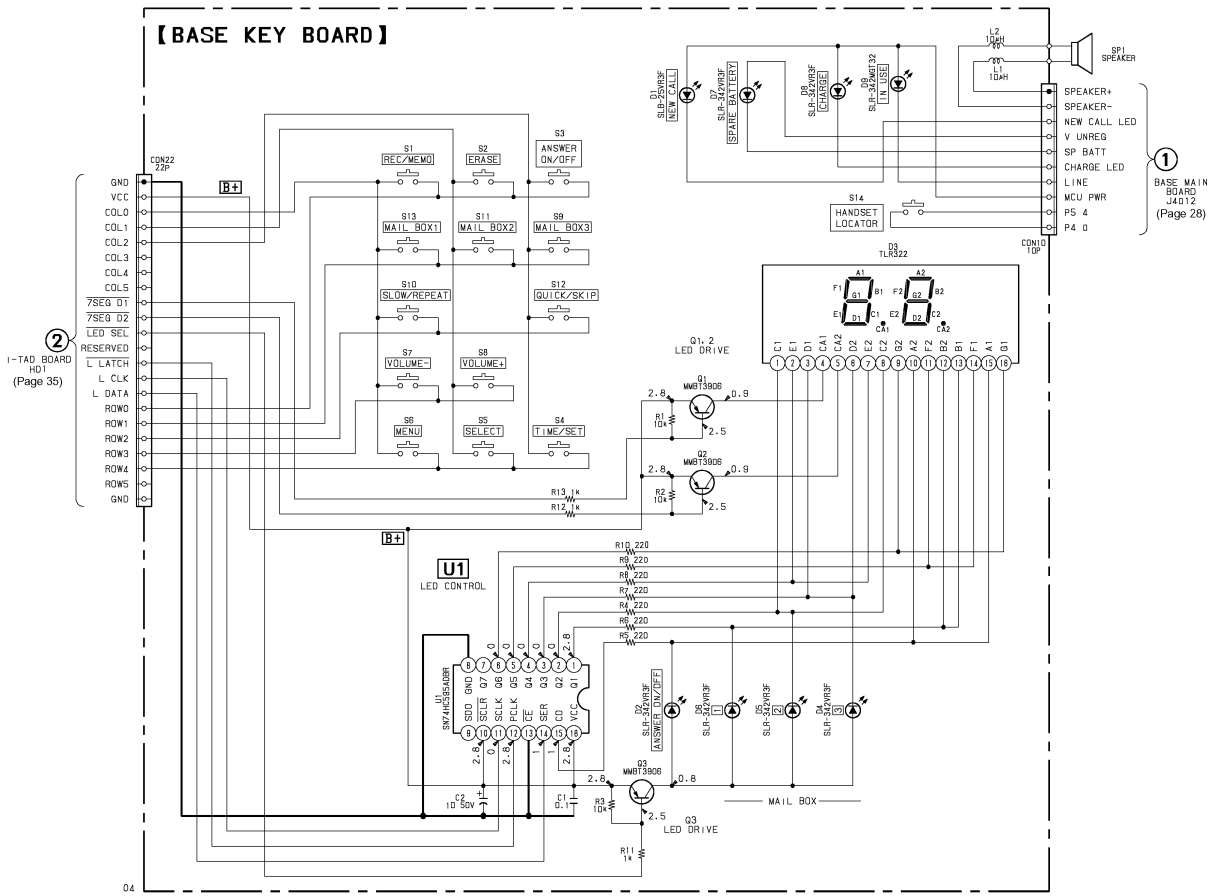
4-11. SCHEMATIC DIAGRAM — HAND MAIN SECTION -



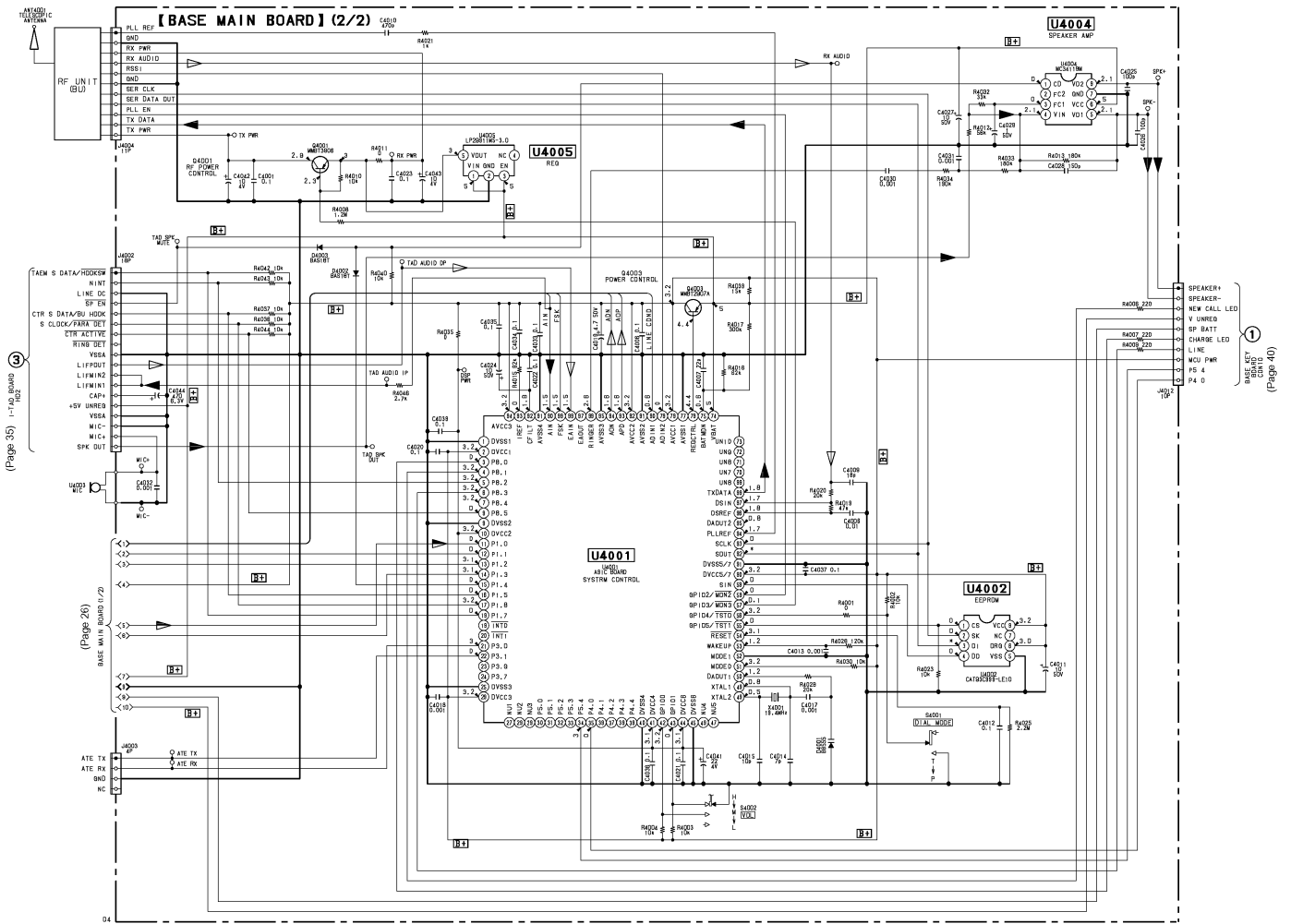
4-7. SCHEMATIC DIAGRAM — I-TAD SECTION —



4-9. SCHEMATIC DIAGRAM — BASE KEY SECTION



4-4. SCHEMATIC DIAGRAM — BASE MAIN SECTION (2/2) —



(Page 35) 1-7-10-1000000

(Page 26) BASE MAIN BOARD (1/2)

(Page 40) BASE KEY CONTROL BOARD