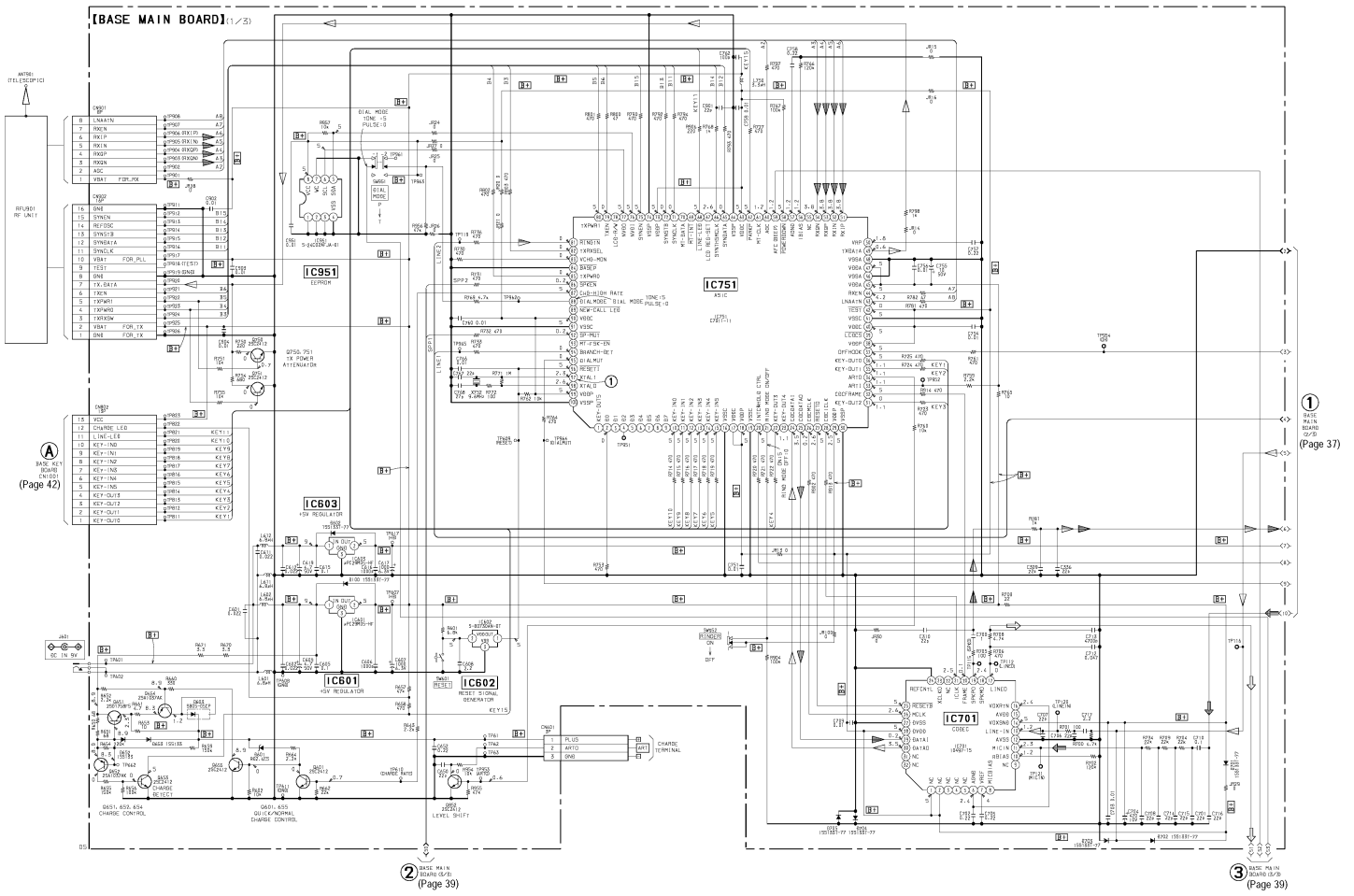
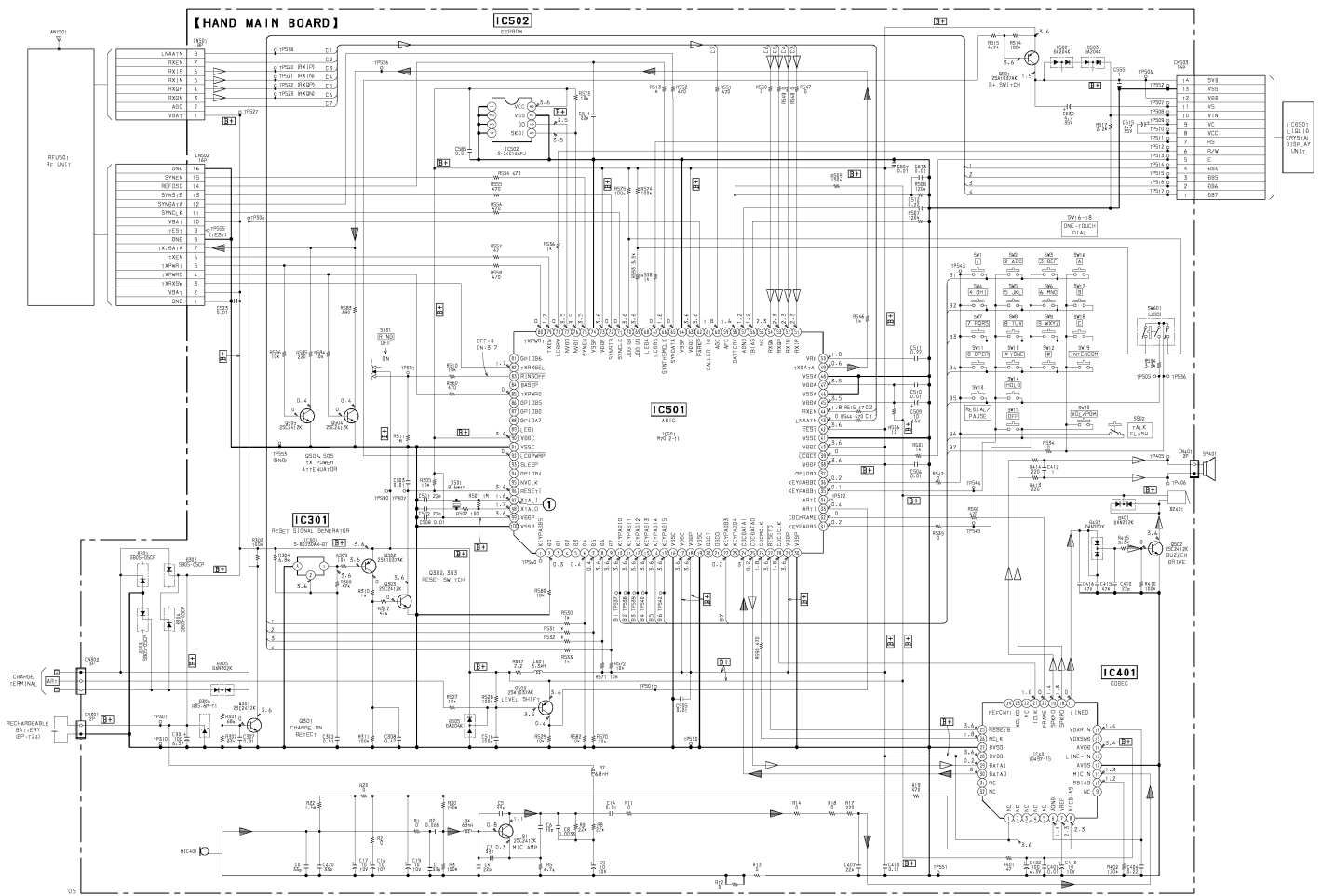


Схема радиотелефона SONY SPP-SS964

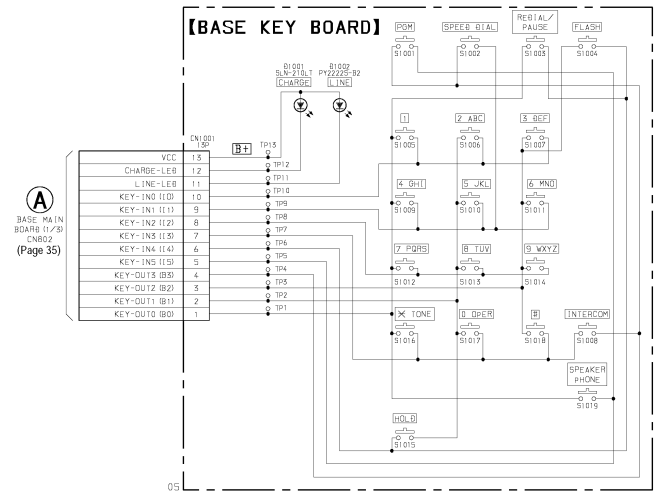
SCHEMATIC DIAGRAM – BASE MAIN Section (1/3) – • See page 30 for Waveform. • See page 47 for IC Block Diagrams.



12. SCHEMATIC DIAGRAM – HAND MAIN Section -



SCHMATIC DIAGRAM – BASE KEY Section –



SCHEMATIC DIAGRAM – BASE MAIN Section (2/3)

