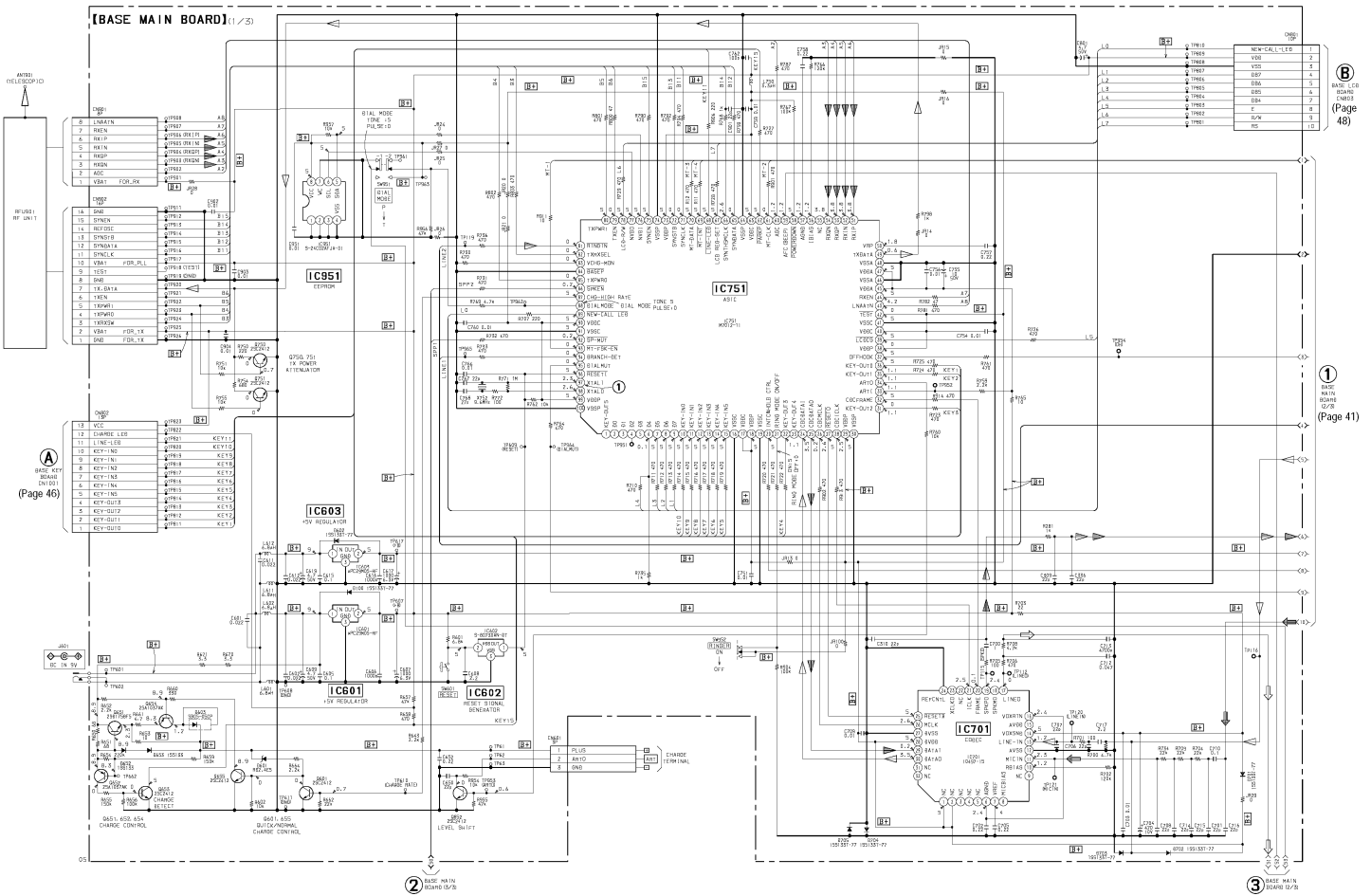
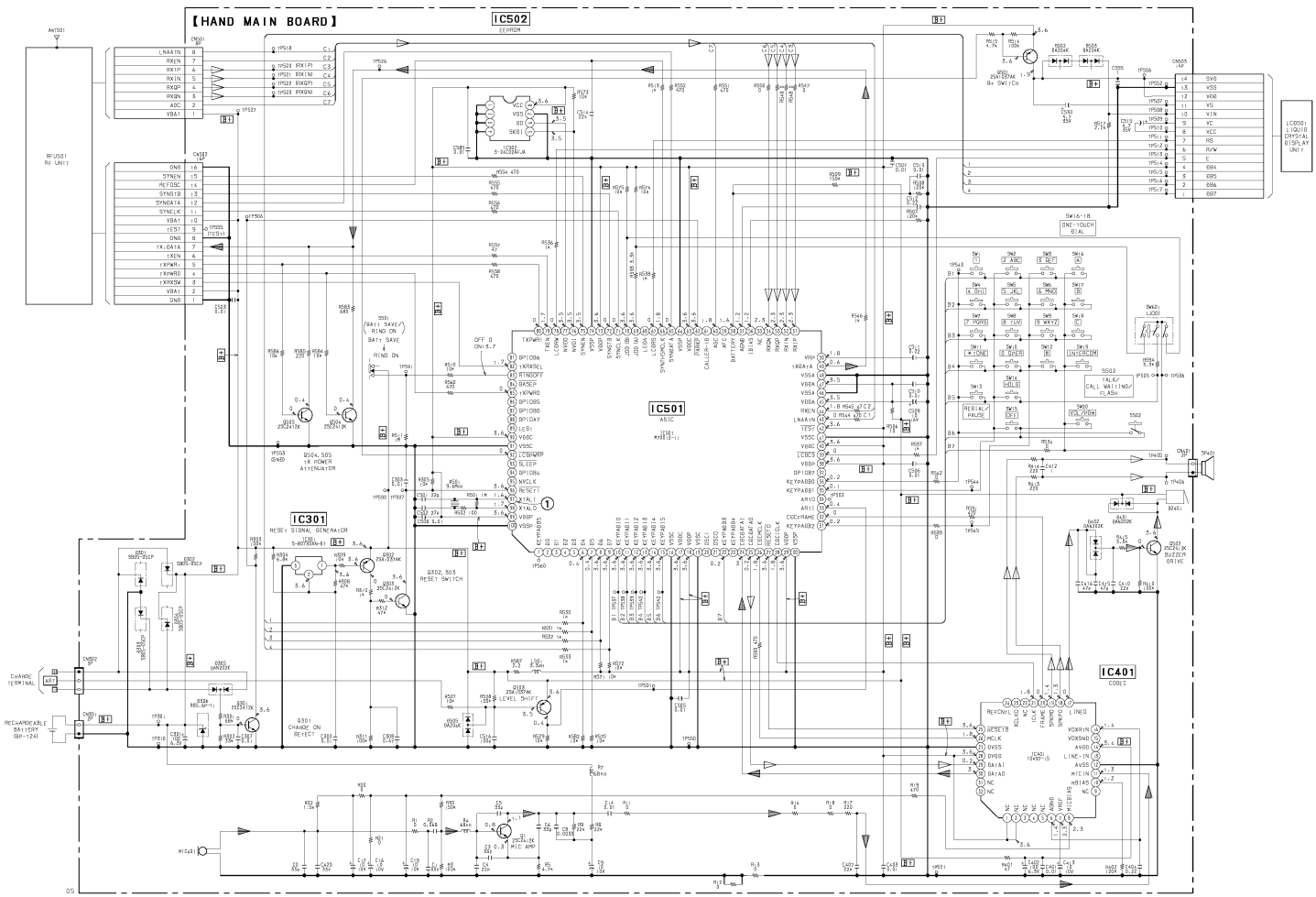


# Схема радиотелефона SONY SPP-SS965

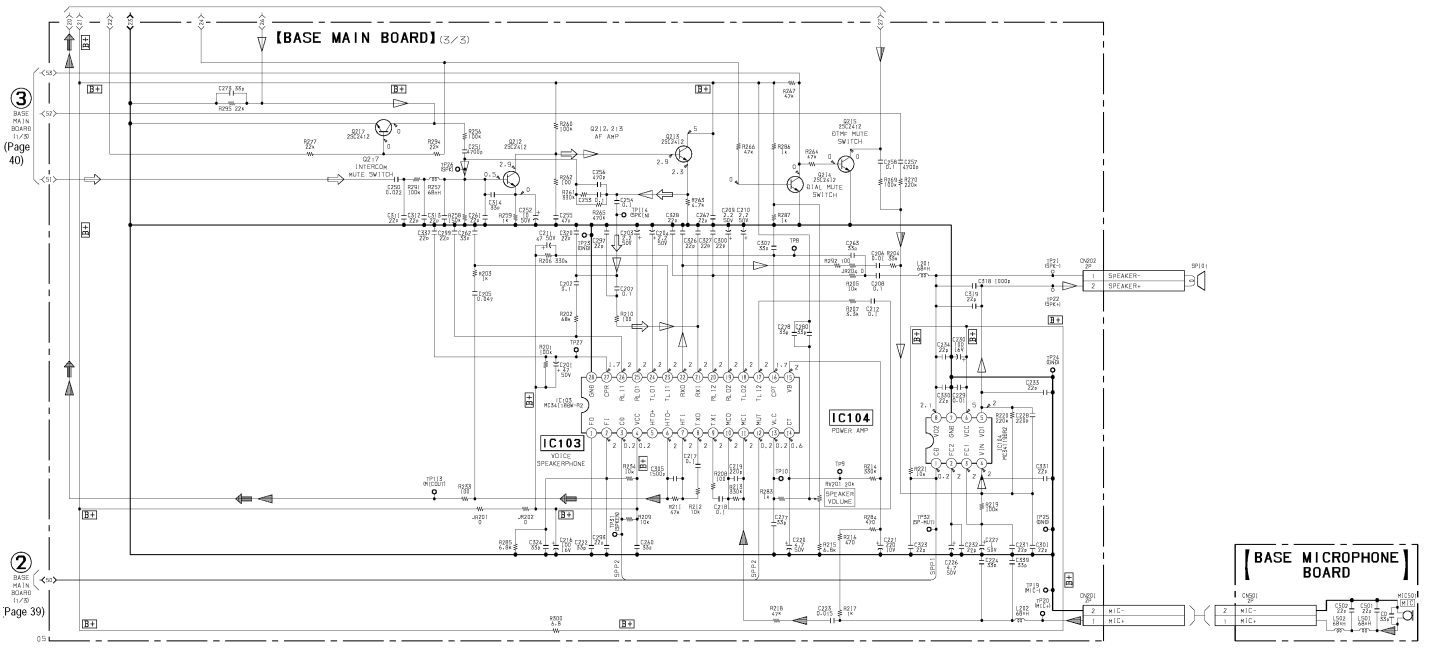
SCHEMATIC DIAGRAM – BASE MAIN Section (1/3) – • See page 34 for Waveform. • See page 54 for IC Block Diagrams.



5. SCHEMATIC DIAGRAM – HAND MAIN Section –

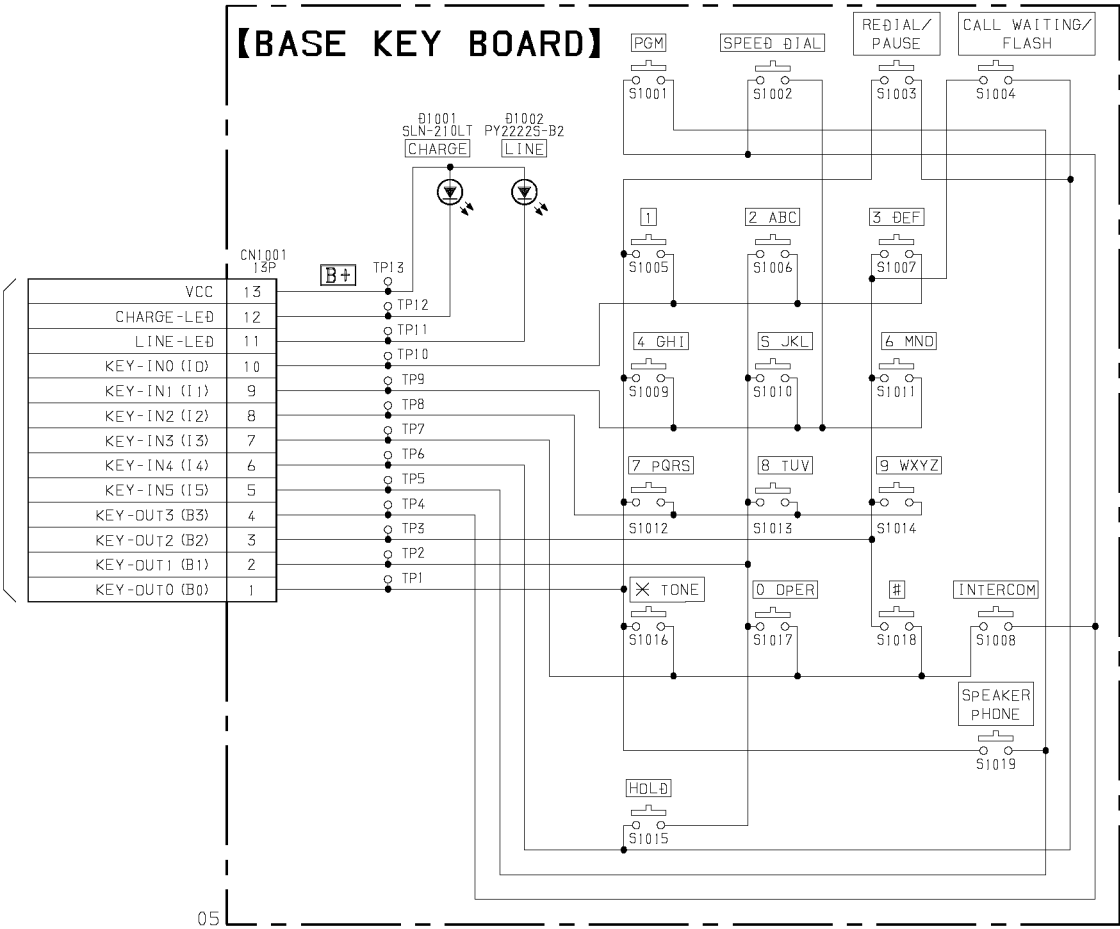


**SCHEMATIC DIAGRAM – BASE MAIN Section (3/3) – • See page 53 for IC Block Diagrams.**

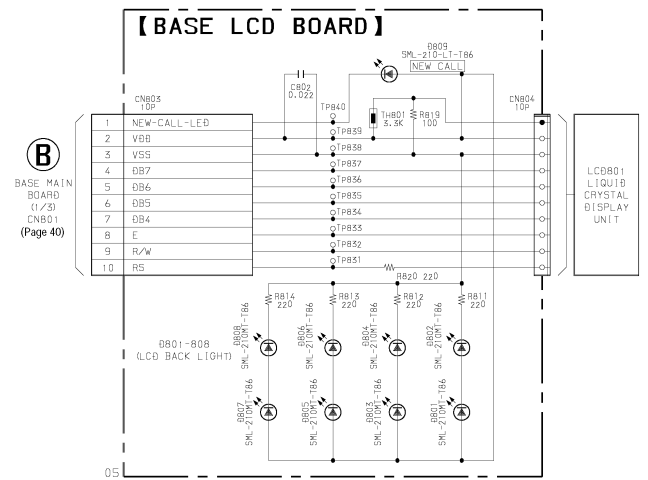


**SCHEMATIC DIAGRAM – BASE KEY Section –**

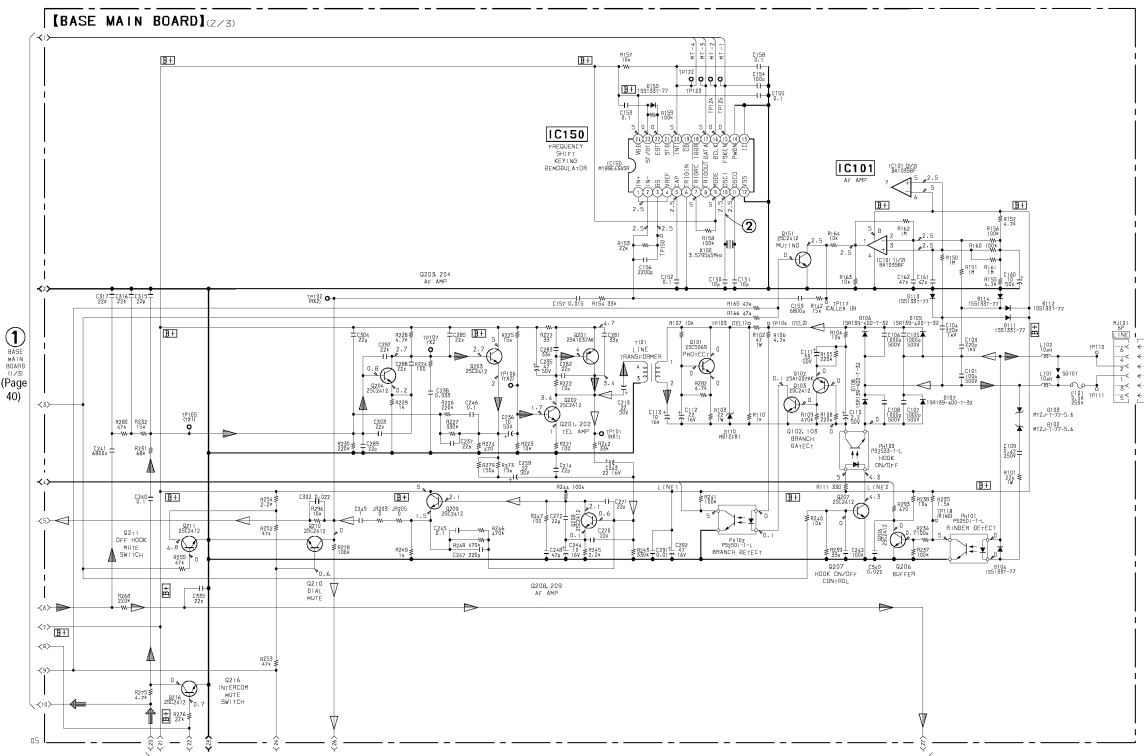
**A**  
 BASE MAIN  
 BOARD (1/3)  
 CN802  
 (Page 39)



SCHEMATIC DIAGRAM – BASE LCD Section –



**SCHEMATIC DIAGRAM – BASE MAIN Section (2/3) -**



① BASE MAIN BOARD (Page 40)