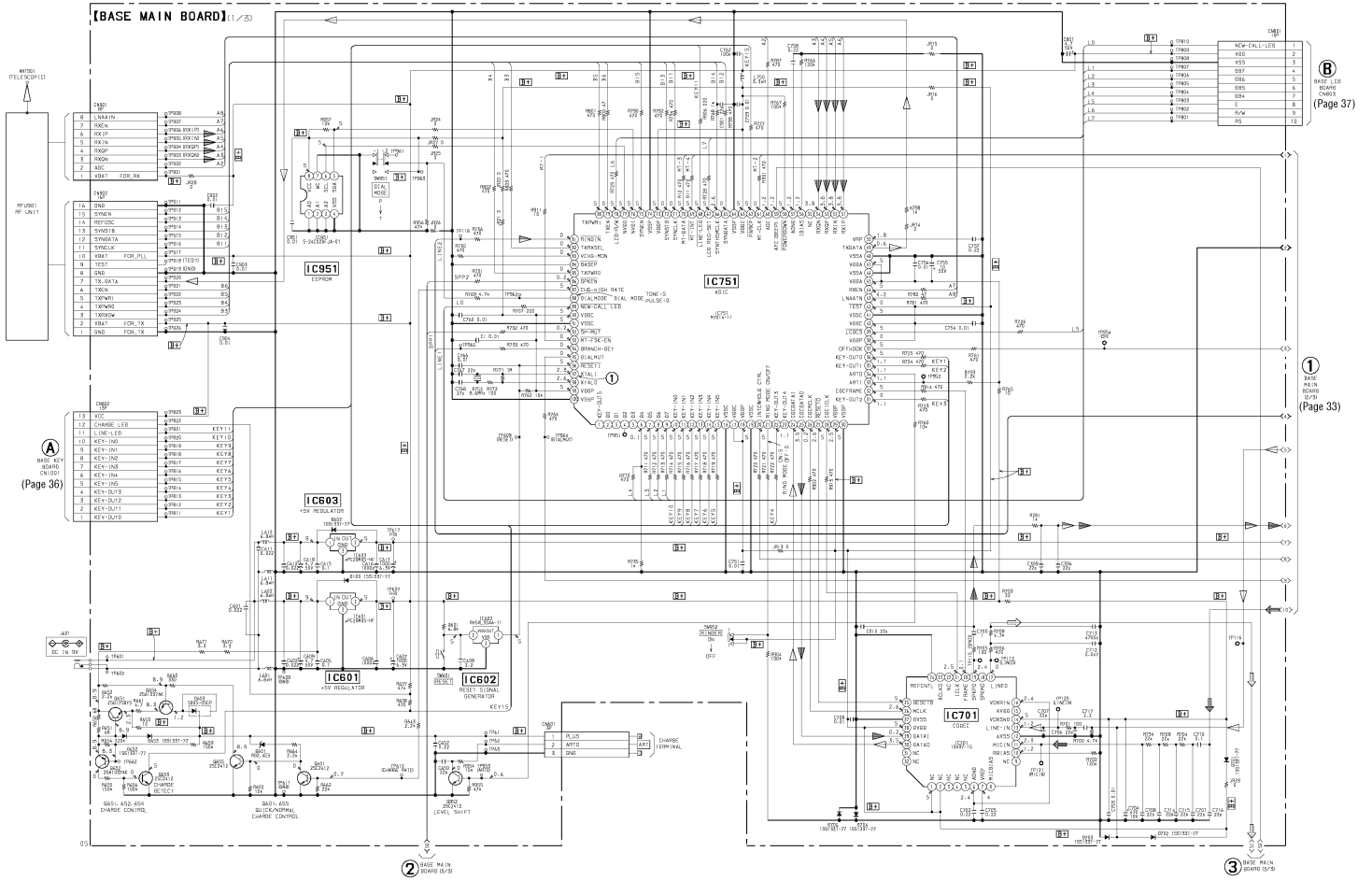
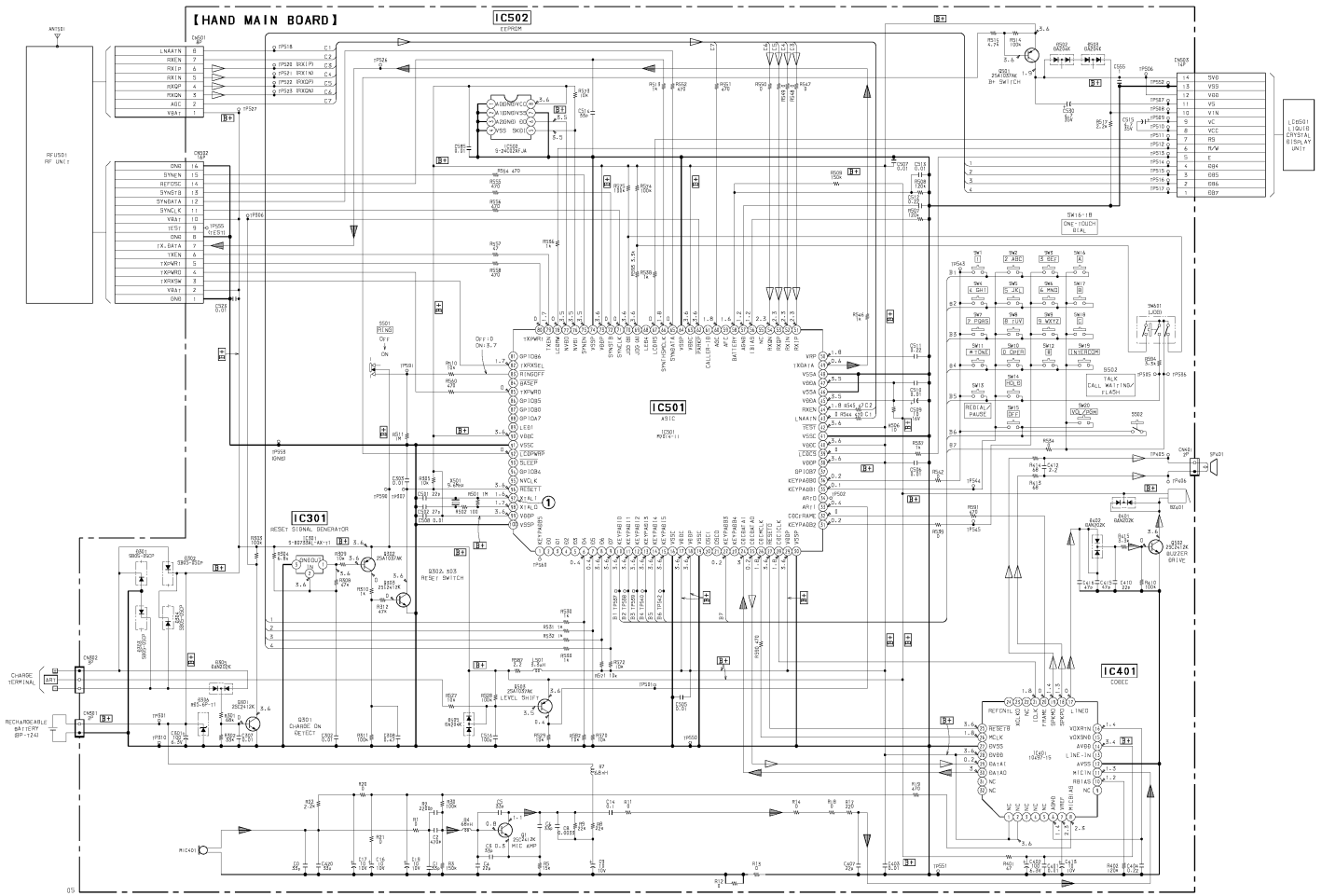


# Схема радиотелефона SONY SPP-SS966

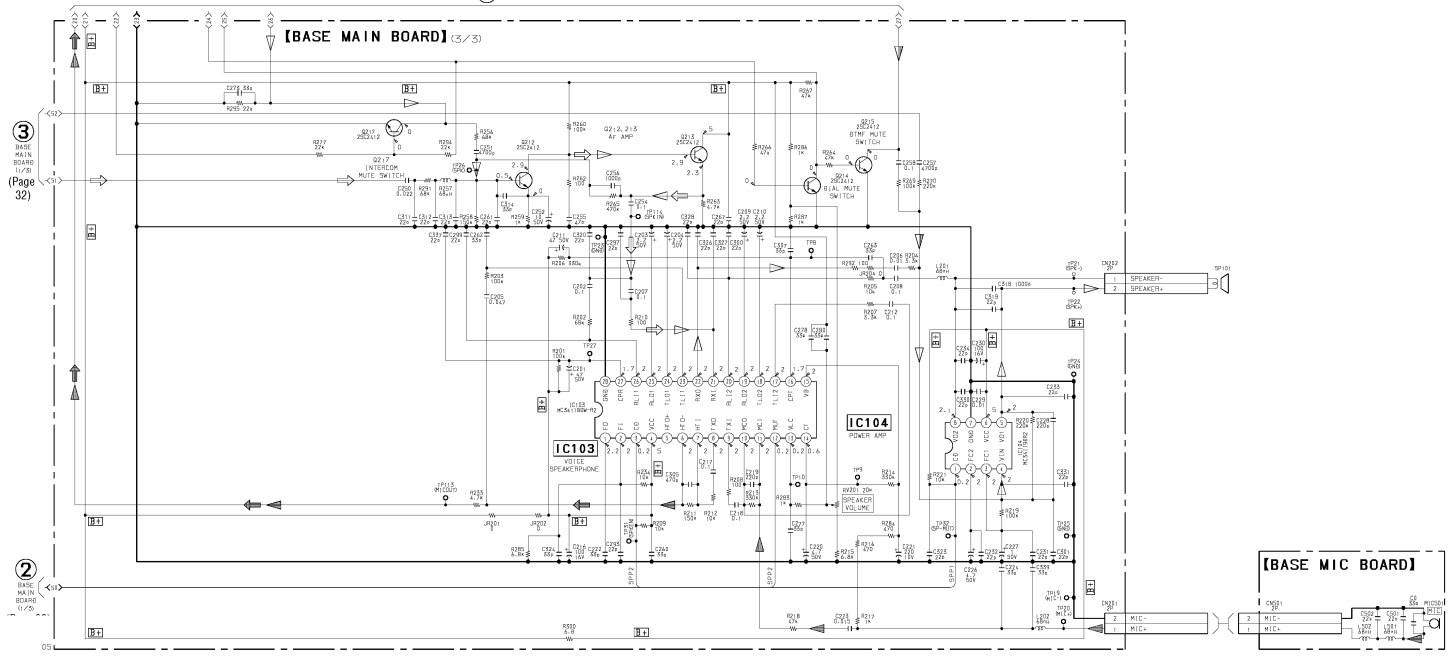
## SCHEMATIC DIAGRAM – BASE MAIN Section (1/3) –



5. SCHEMATIC DIAGRAM – HAND MAIN Section

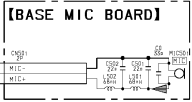


I. SCHEMATIC DIAGRAM - BASE MAIN Section (3/3) -



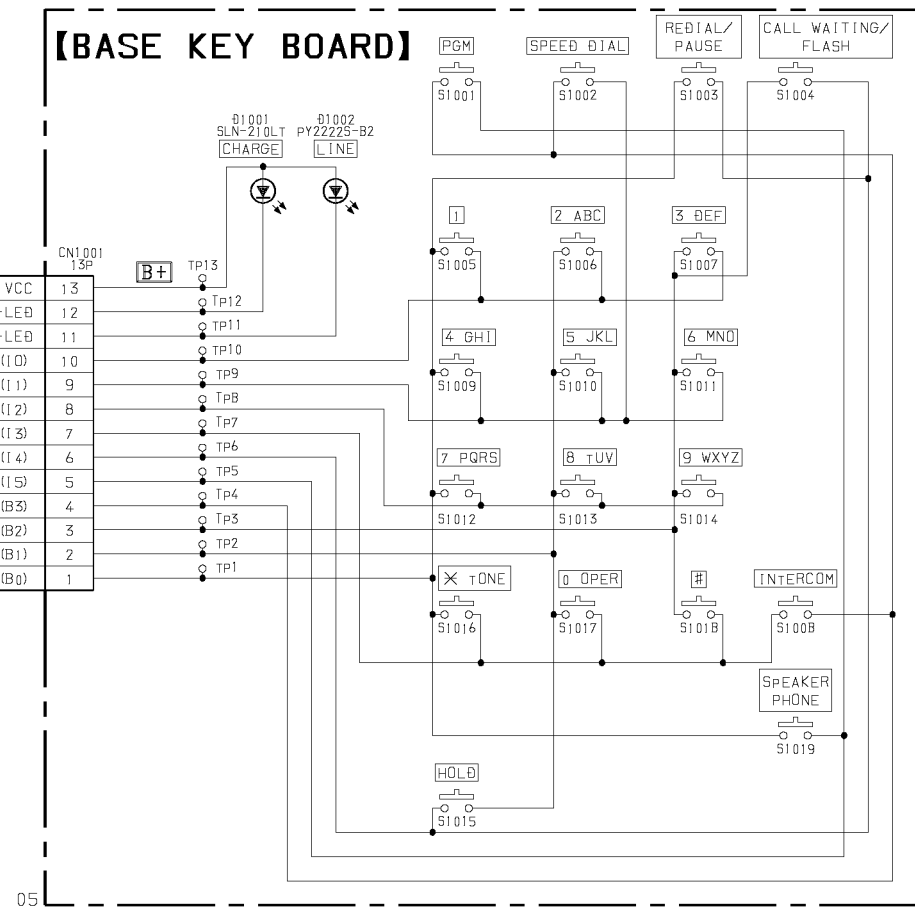
③  
 BASE MAIN BOARD 1/2/3/ (Page 3/2)

②  
 BASE MAIN BOARD 1/4/3/

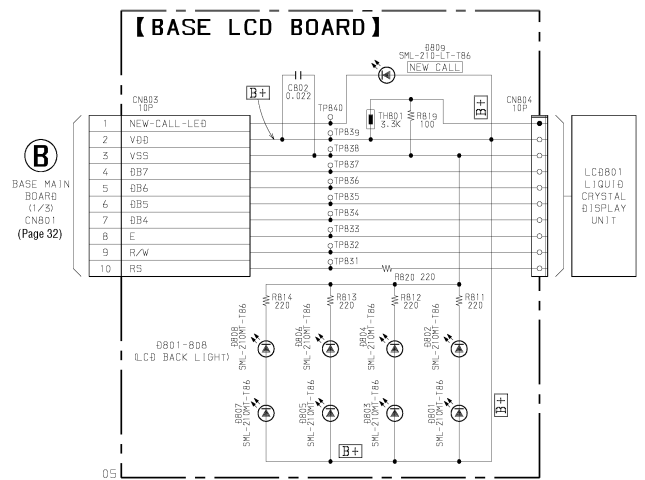


**SCHEMATIC DIAGRAM – BASE KEY Section –**

**A**  
 BASE MAIN BOARD (1/3)  
 CN802  
 (Page 32)



SCHEMATIC DIAGRAM - BASE LCD Section -



SCHEMATIC DIAGRAM - BASE MAIN Section (2/3) -

