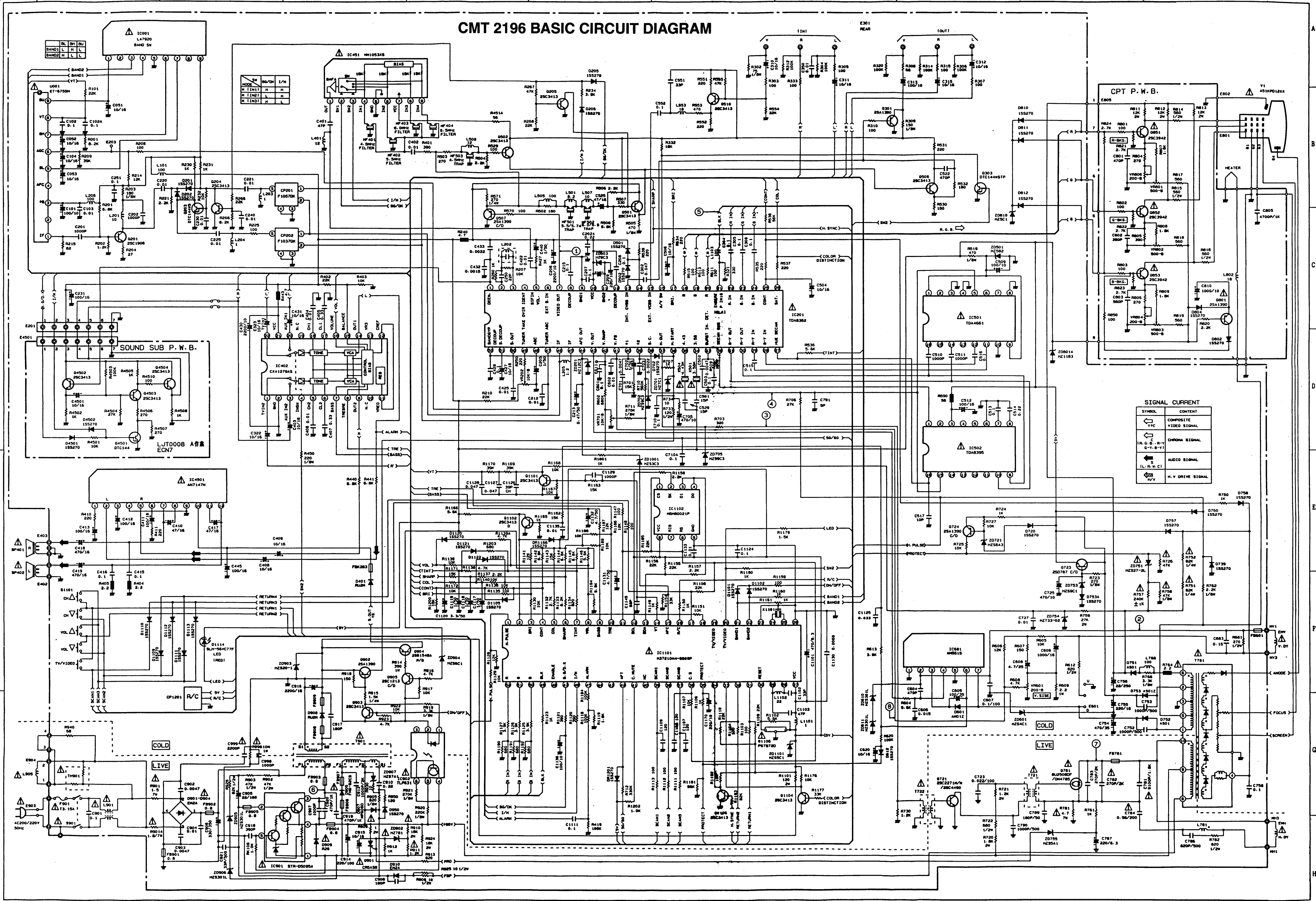


CMT 2196 BASIC CIRCUIT DIAGRAM



SIGNAL CURRENT

SYMBOL	CONTENT
\leftarrow Y/C	COMPOSITE VIDEO SIGNAL
\leftarrow R-G-B-Y	CHROMA SIGNAL
\leftarrow L-R-M-C	AUDIO SIGNAL
\leftarrow V/V	H.V. DRIVE SIGNAL

ABCDEFGHIJKLMNPQRSTUVWXYZ

abcdefghijklmnpqrstuvwxy

100

17

аБГДЕЖЗЙКЛМНОП

• Since this is a basic circuit diagram, the value of the parts is subject to be altered for improvement.