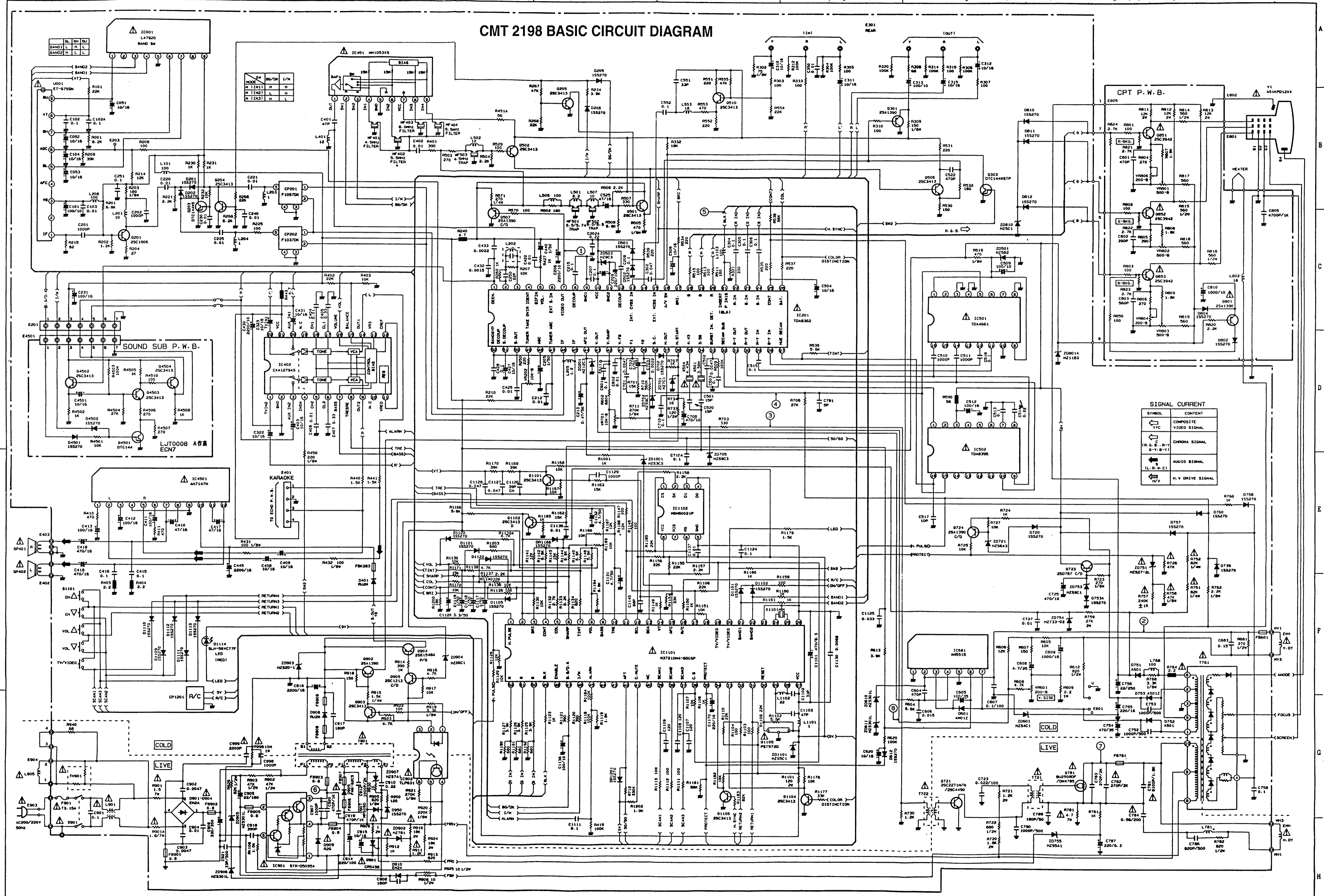


### CMT 2198 BASIC CIRCUIT DIAGRAM



**SIGNAL CURRENT**

SYMBOL	CONTENT
$\leftarrow$ Y/C	COMPOSITE VIDEO SIGNAL
$\leftarrow$ R.G.B-Y, C-Y, B-Y	CHROMA SIGNAL
$\leftarrow$ L.R.W.C	AUDIO SIGNAL
$\leftarrow$ H.V	H.V DRIVE SIGNAL

ABCDEFGHIJKLMNPQRSTUVWXYZ

abcdefghijklmnpqrstuvwxy

100

18

αβγδεζηθικλμνξοπ

Since this is a basic circuit diagram, the value of the parts is subject to be altered for improvement.