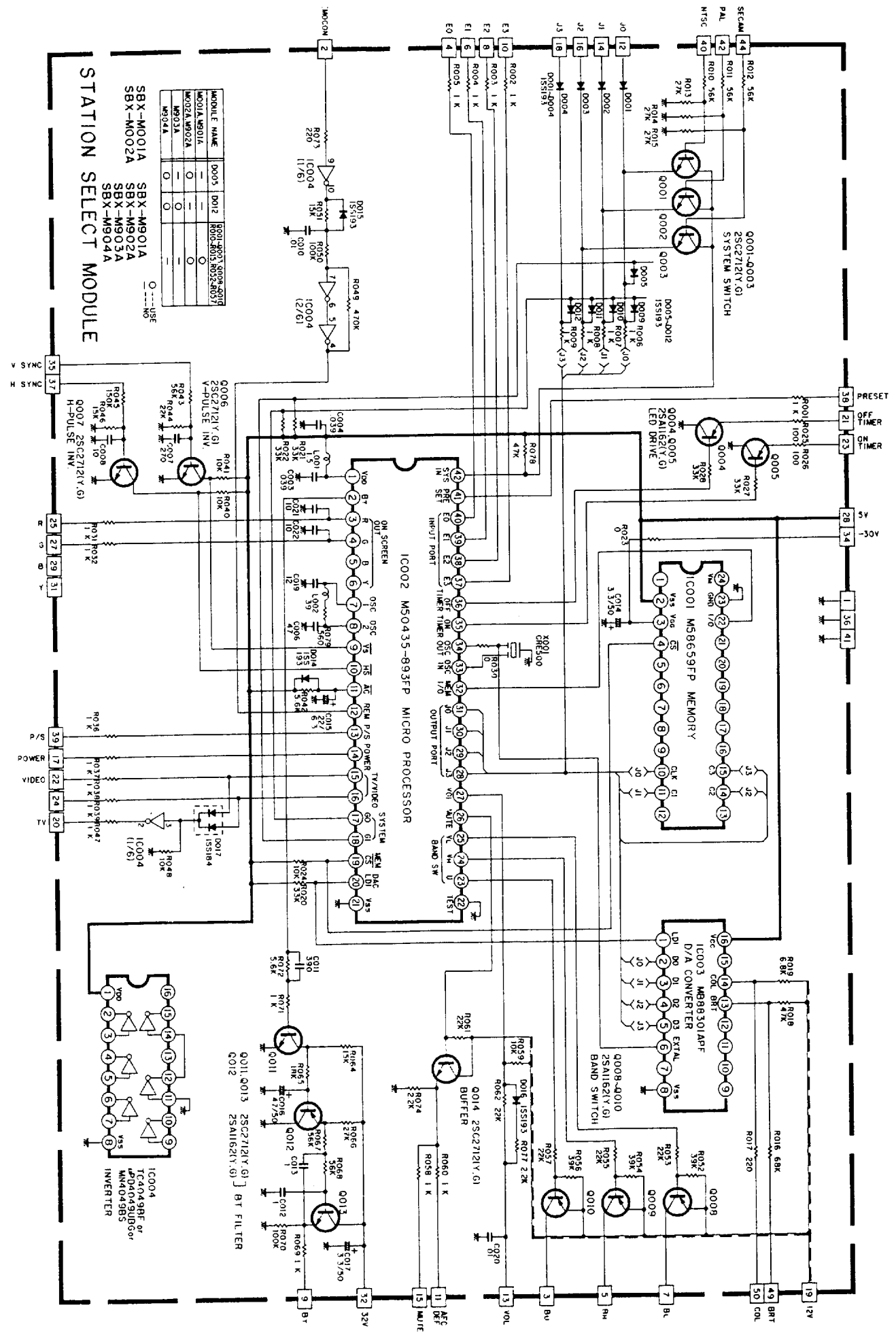
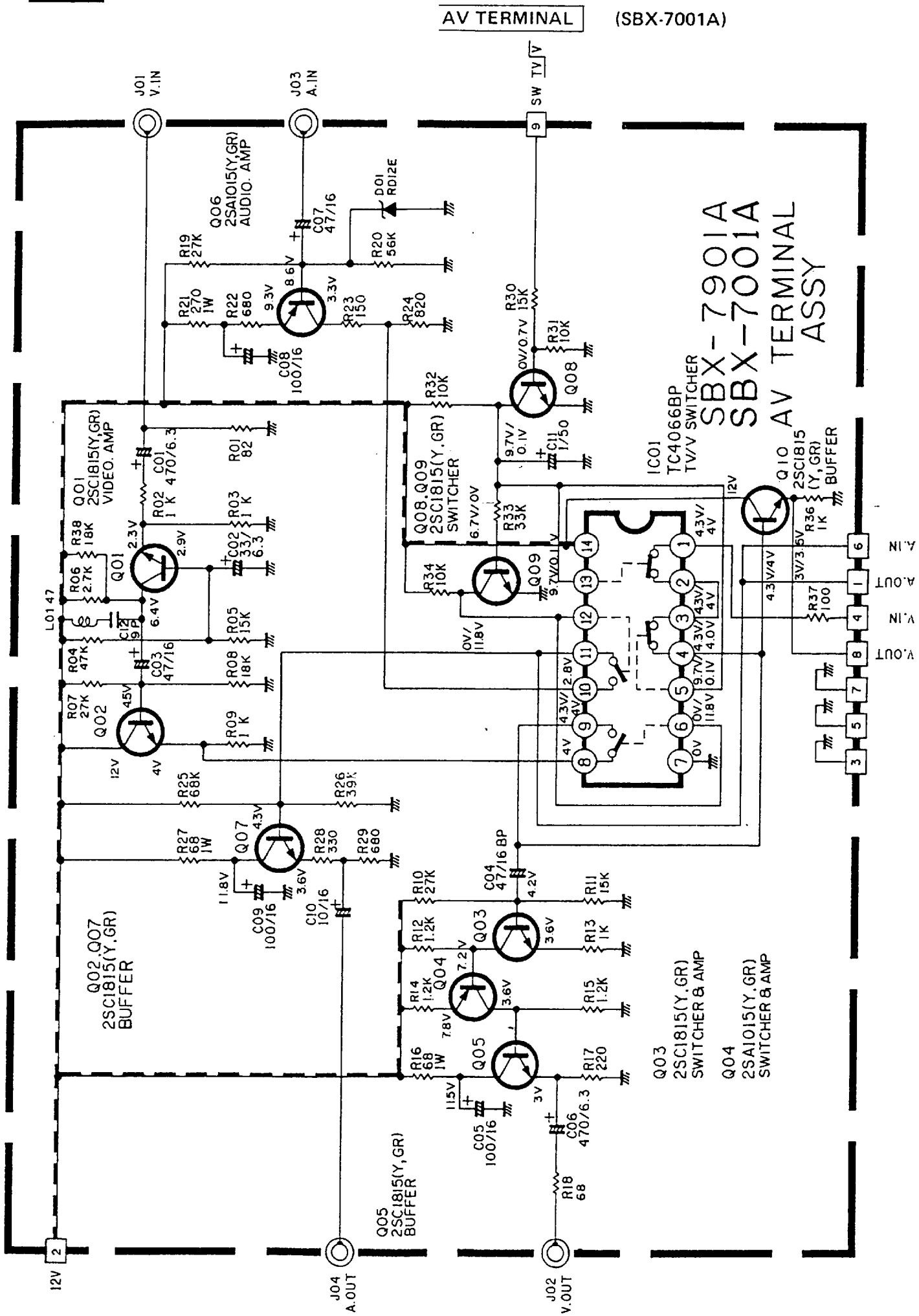
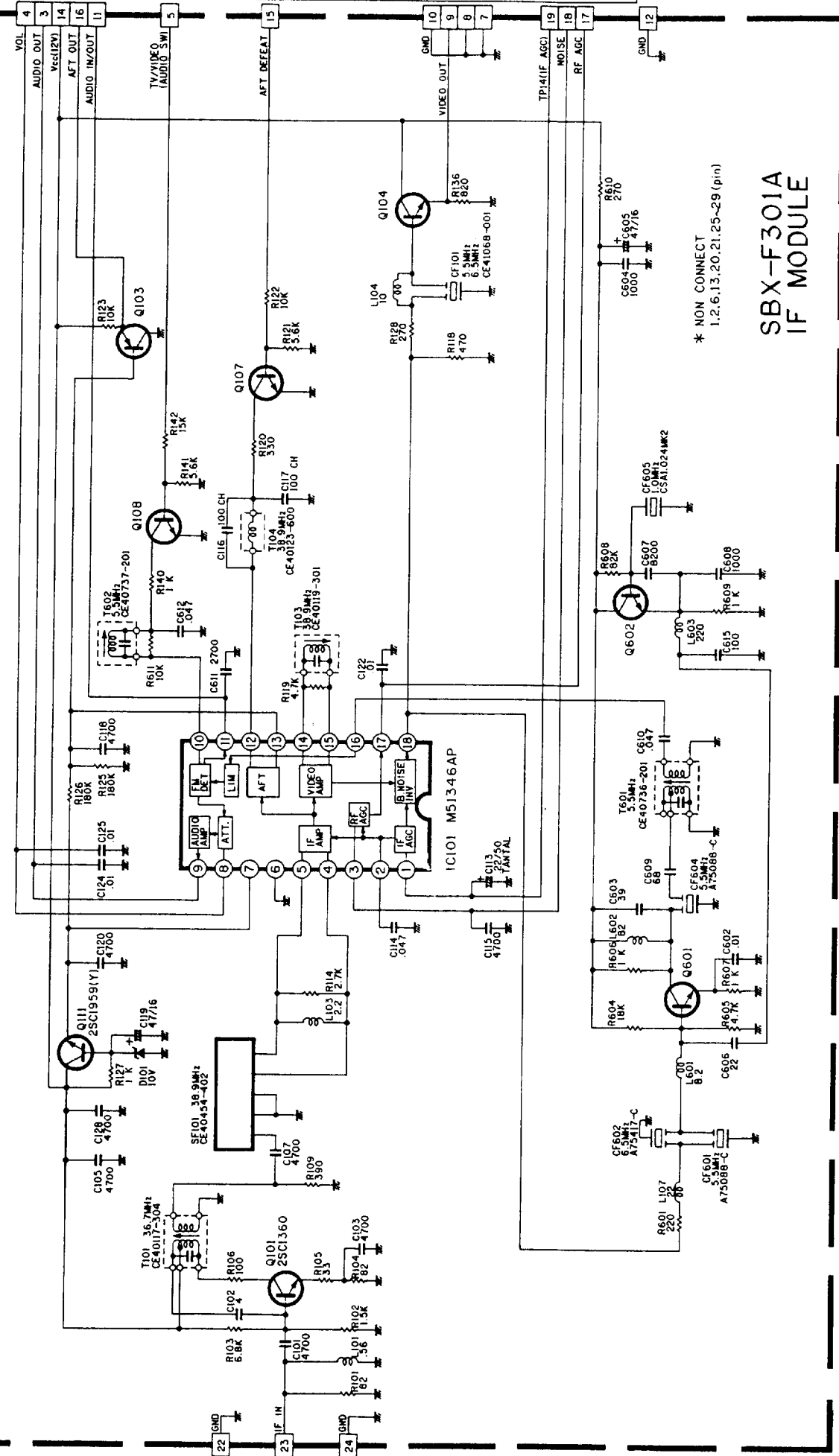


C-210EE

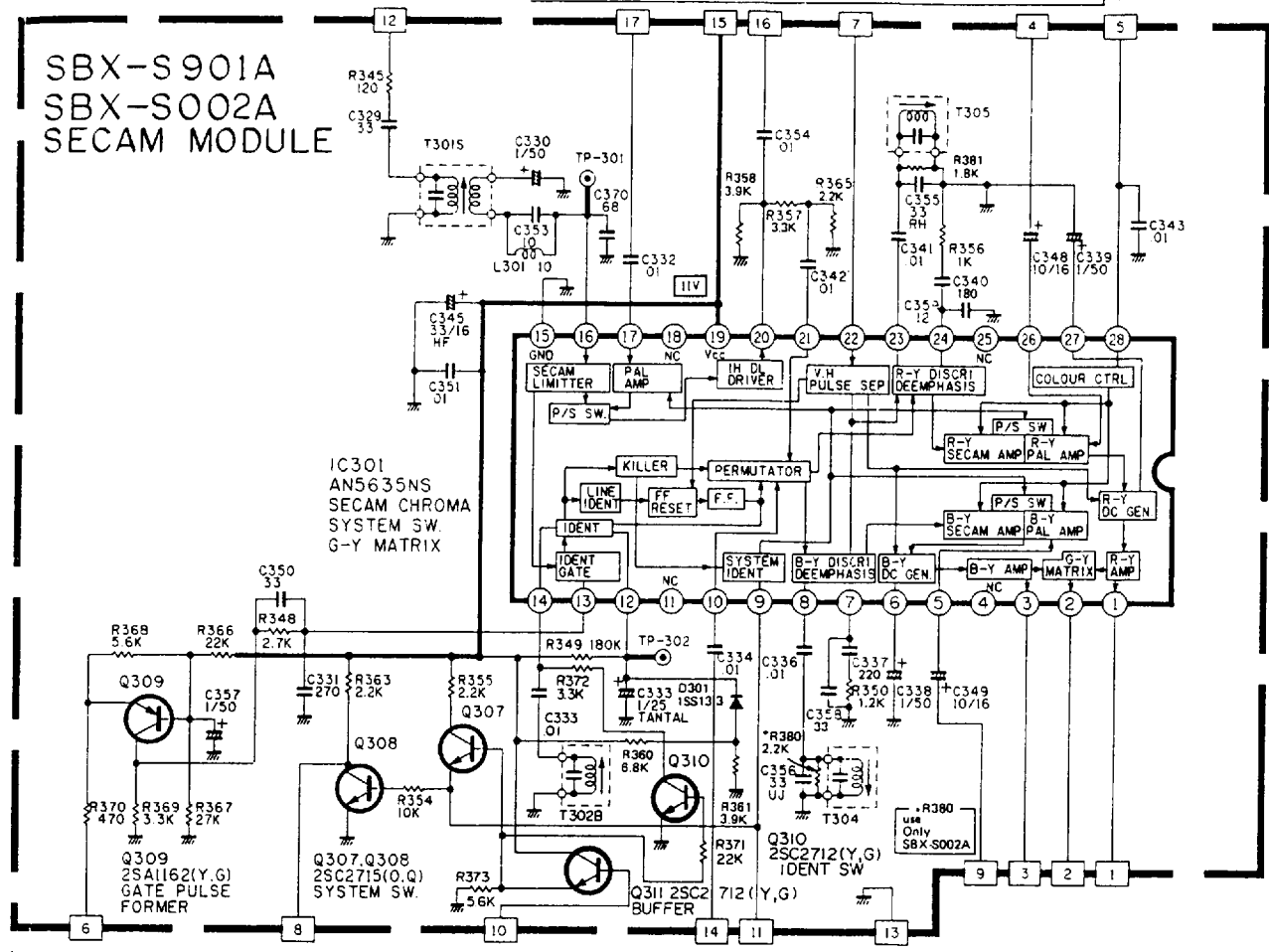
SELECT MODULE SCHEMATIC DIAGRAM (SBX-M002A)



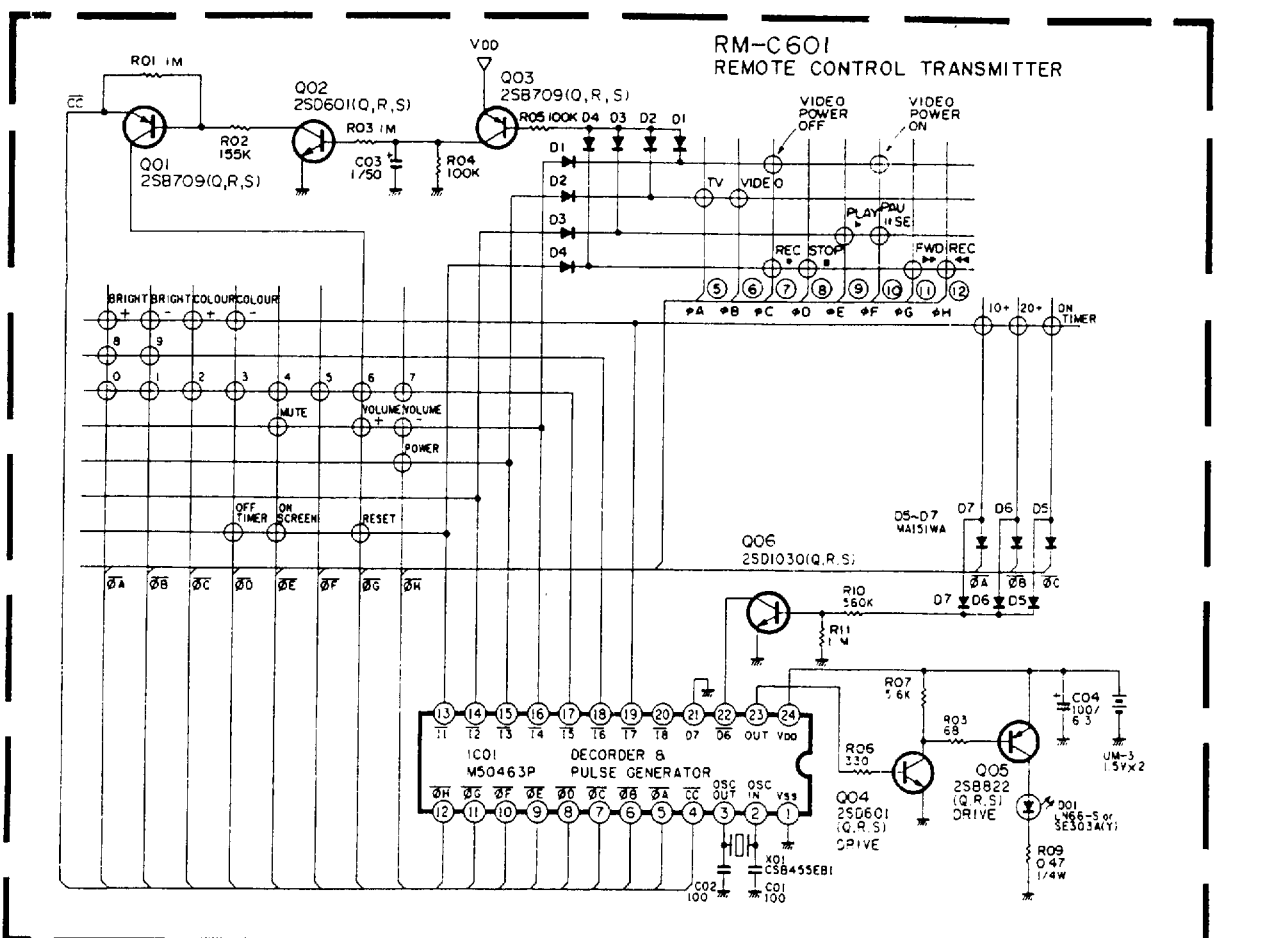
IF MODULE SCHEMATIC DIAGRAM (SBX-F301A)

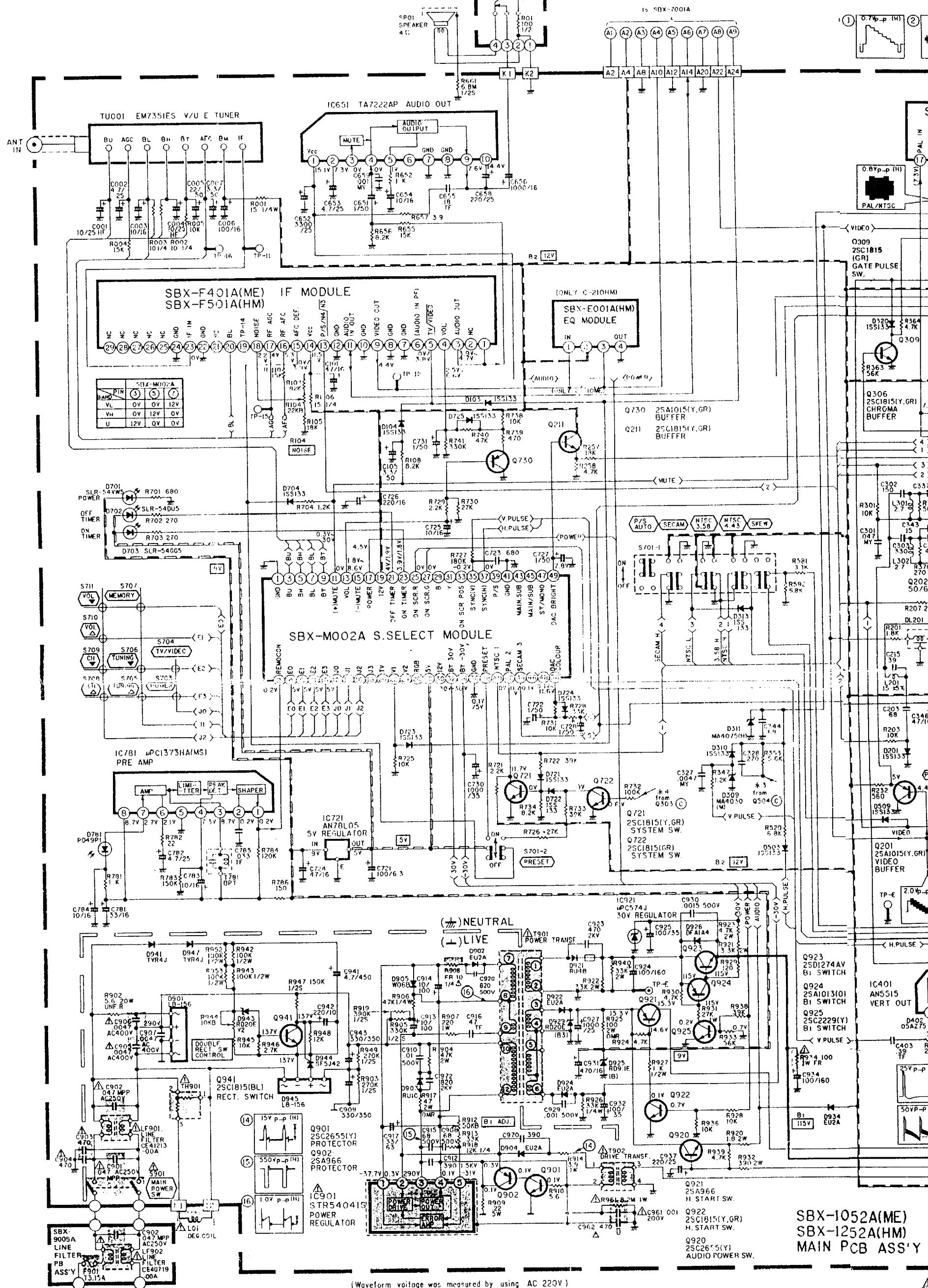


SECAM MODULE SCHEMATIC DIAGRAM (SBX-S002A)



RM-C601 SCHALTBIKD RM-C601 SCHEMATIC DIAGRAM





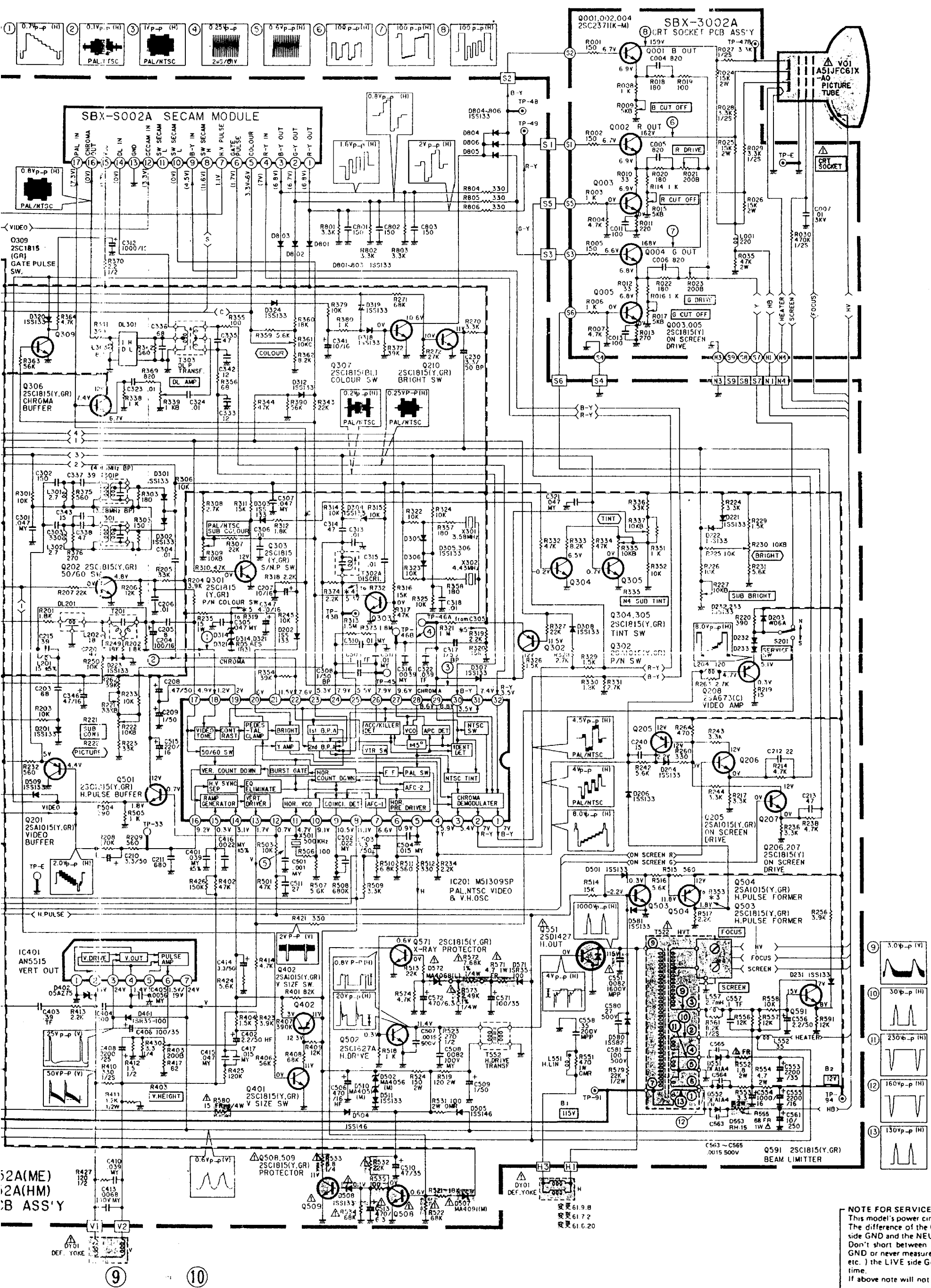
SBX-M002A	3	5	7
BAND	0V	0V	12V
VL	0V	0V	12V
VH	0V	12V	0V
U	12V	0V	0V

SBX-1052A(ME)
SBX-1252A(HM)
MAIN PCB ASS'Y

(Waveform voltage was measured by using AC 220V)

AC90V 260V
AC101V 260V
AC110V 260V
AC120V 260V
AC130V 260V
AC140V 260V
AC150V 260V
AC160V 260V
AC170V 260V
AC180V 260V
AC190V 260V
AC200V 260V
AC210V 260V
AC220V 260V
AC230V 260V
AC240V 260V
AC250V 260V
AC260V 260V
AC270V 260V
AC280V 260V
AC290V 260V
AC300V 260V

DEF. YON



NOTE FOR SERVICE
 This model's power circuit is partly different in the GND. The difference of the GND is shown by the LIVE (primary side GND and the NEUTRAL (secondary) side GND). Don't short between the LIVE side GND and NEUTRAL GND or never measure with a measuring apparatus (oscilloscope, etc.) the LIVE side GND and NEUTRAL side GND at the same time. If above note will not be kept, a fuse or any parts will be