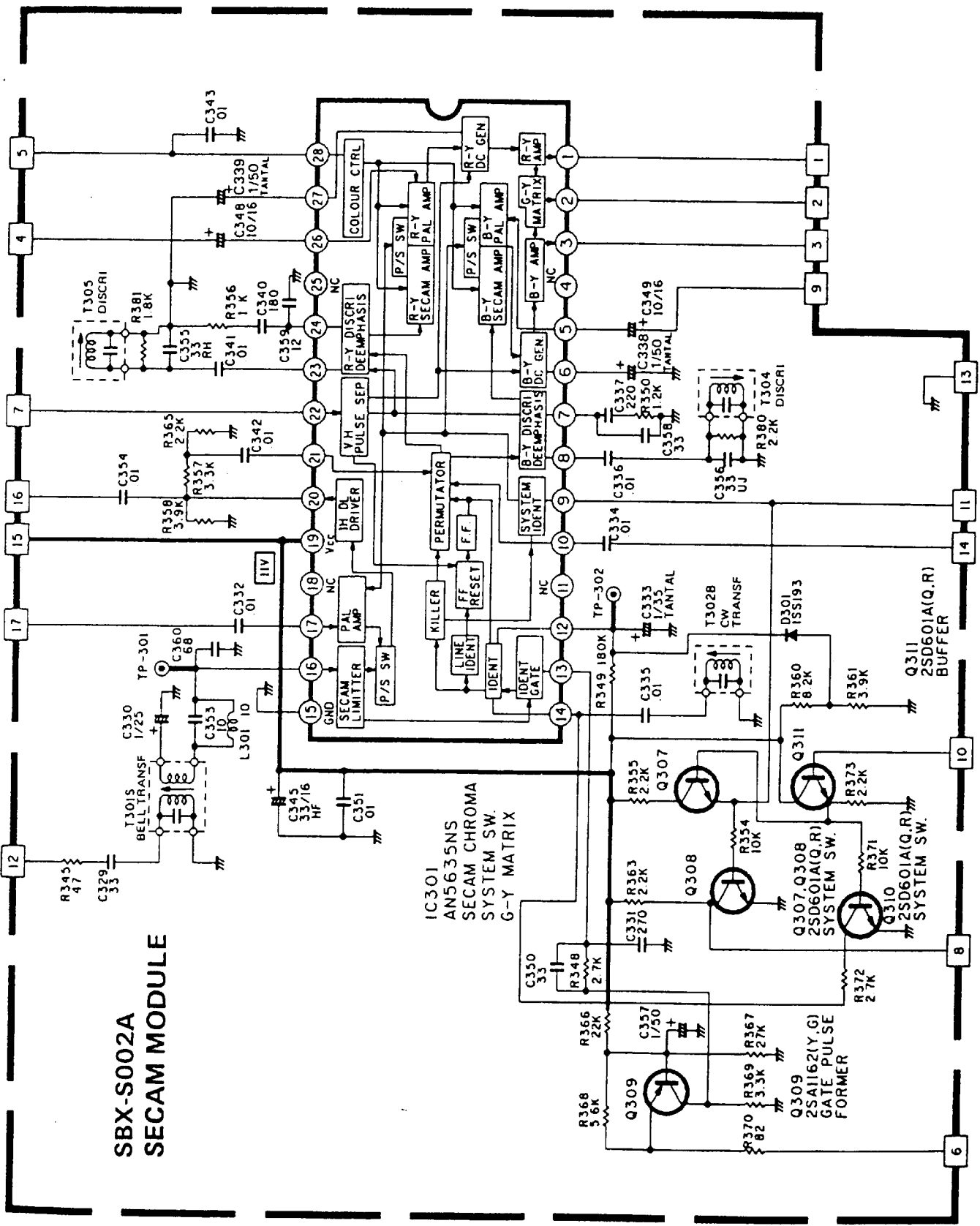
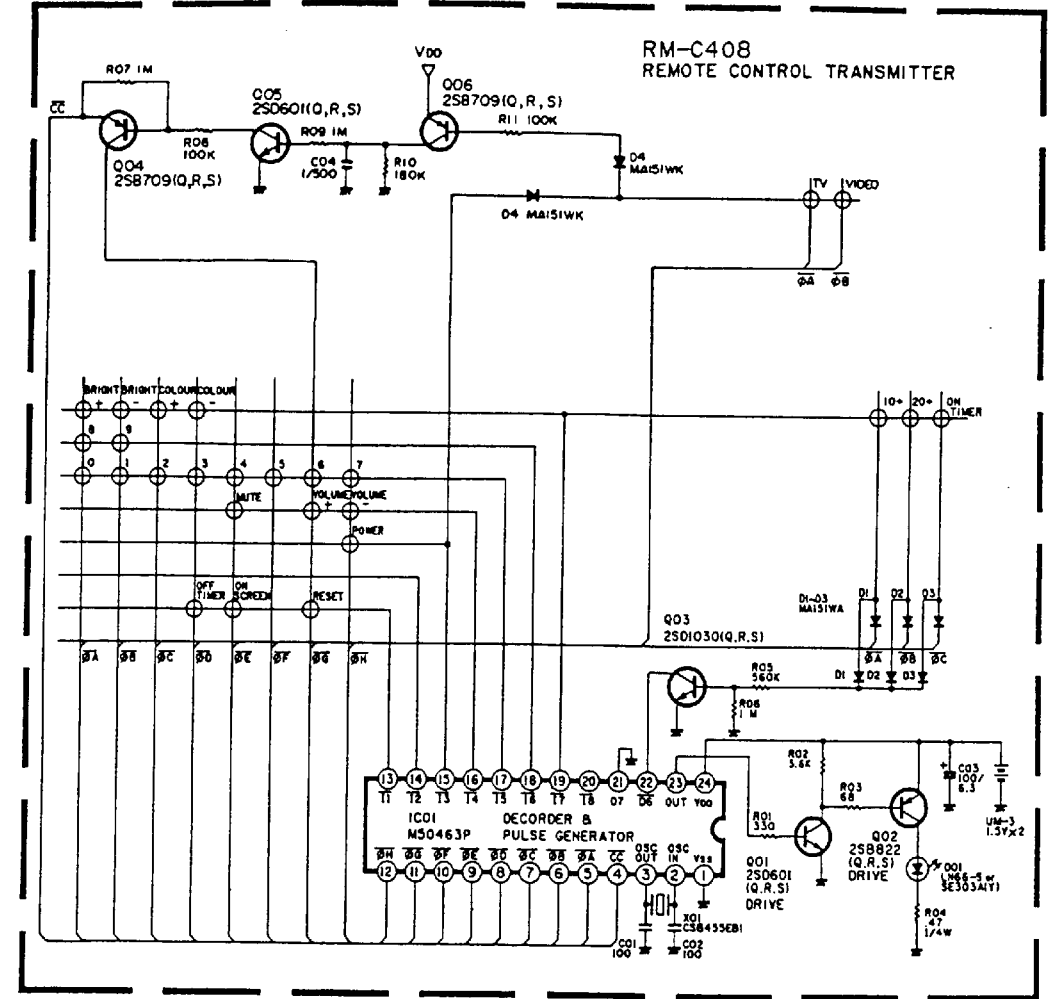




SECAM MODULE SCHEMATIC DIAGRAM



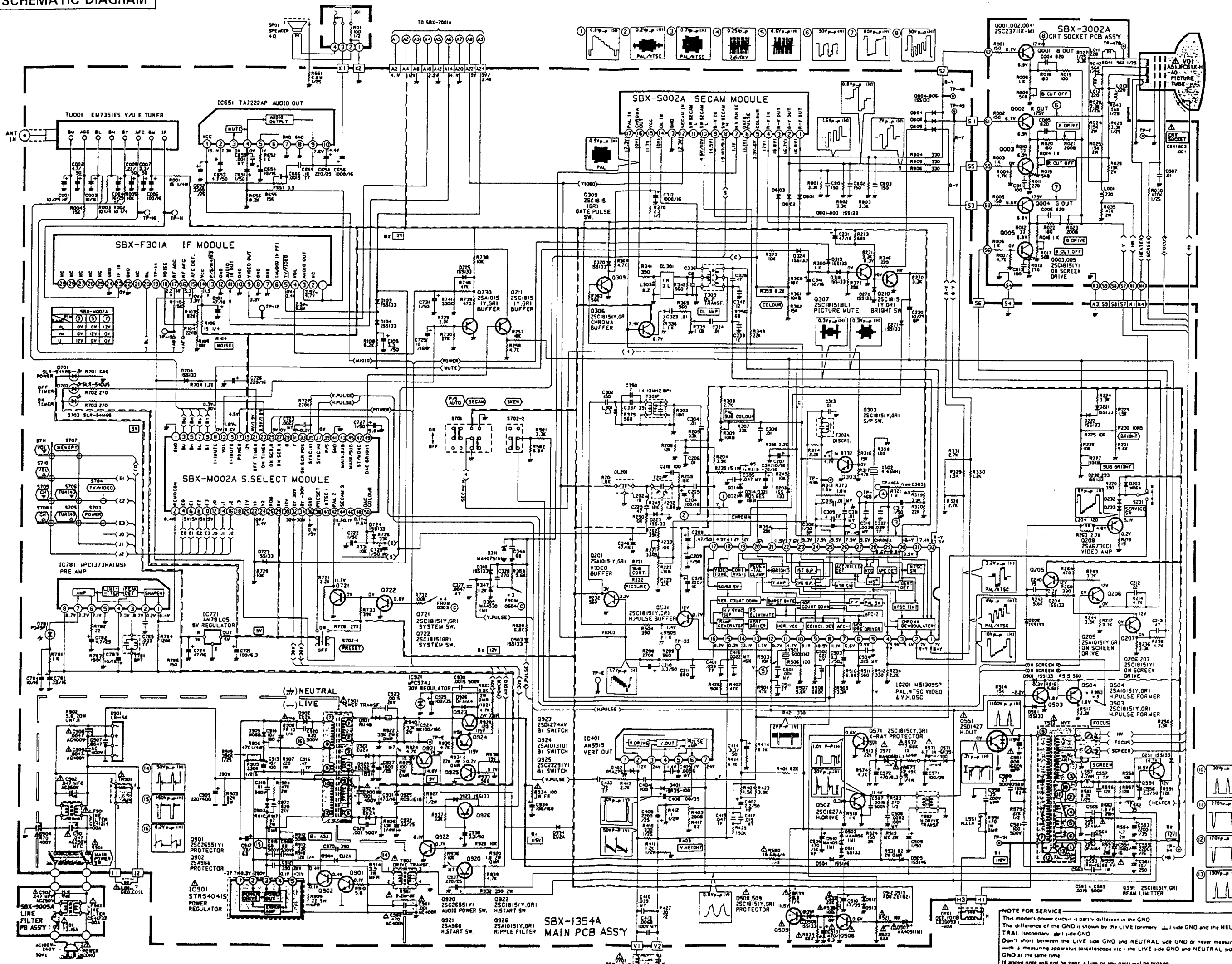
REMOTE CONTROL TRANSMITTER SCHEMATIC DIAGRAM



BASIC OF TRANSISTORS & ICs

2SC1E15(Y) 2SC1E15(Y,GR) 2SA1015(Y,GR) 2SC1E27A 2SA673(C) 2SC1959(Y)	2SB1013(O) 2SA966 2SC2655(Y) 2SC1360	2SD1274A	2SC2371(K-M)	2SD1427	CHIP TRANSISTOR	CHIP DIODE
IC MPC373H	IC M51346AP M888301APF μPD4049UBG-W TC40668P	IC M51309SP M58659FP M50435-893FP AN5635NS	IC AN78L05	IC AN5515	IC TA7222AP	IC STR54041S

MAIN SCHEMATIC DIAGRAM



SBX-1354A MAIN PCB ASSY

**NOTE FOR SERVICE**  
 This model's power circuit is partly different in the GND. The difference of the GND is shown by the LIVE (primary) side GND and the NEUTRAL (secondary) side GND. Don't short between the LIVE side GND and NEUTRAL side GND or never measure with a measuring apparatus (oscilloscope etc.) the LIVE side GND and NEUTRAL side GND at the same time. If above note will not be kept, a fuse or any parts will be broken.