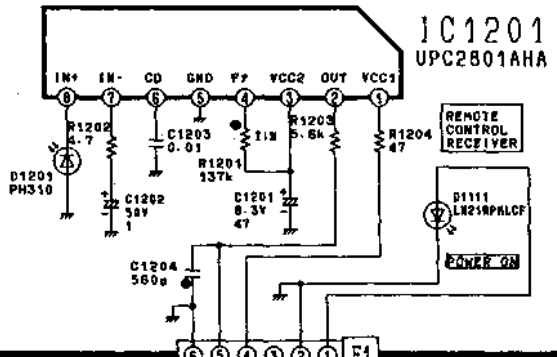
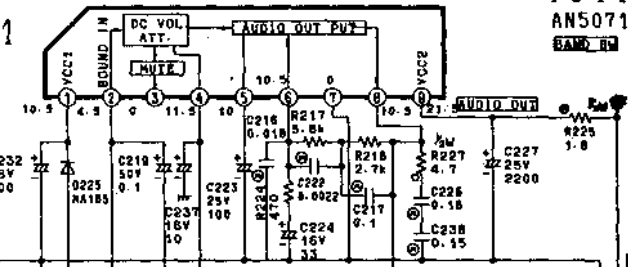


R-BOARD TNP107880AH



IC201 AN5265

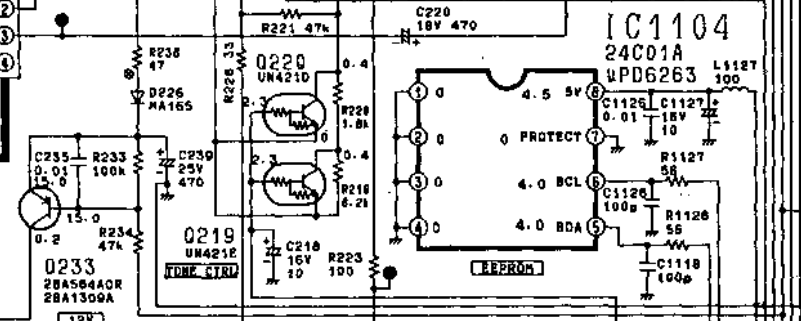


IC1103 AN5071

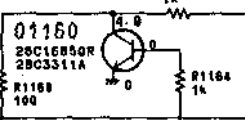
SAM BY

C1133
50V
0.33

IC1104 24C01A WPD6263



Q1160 28C1680R 28C3311A



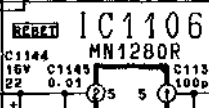
Q219 UN421E



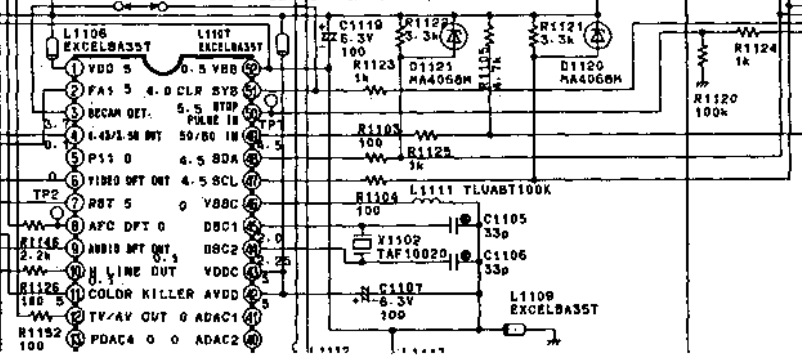
Q233 28A5644OR 28A1309A

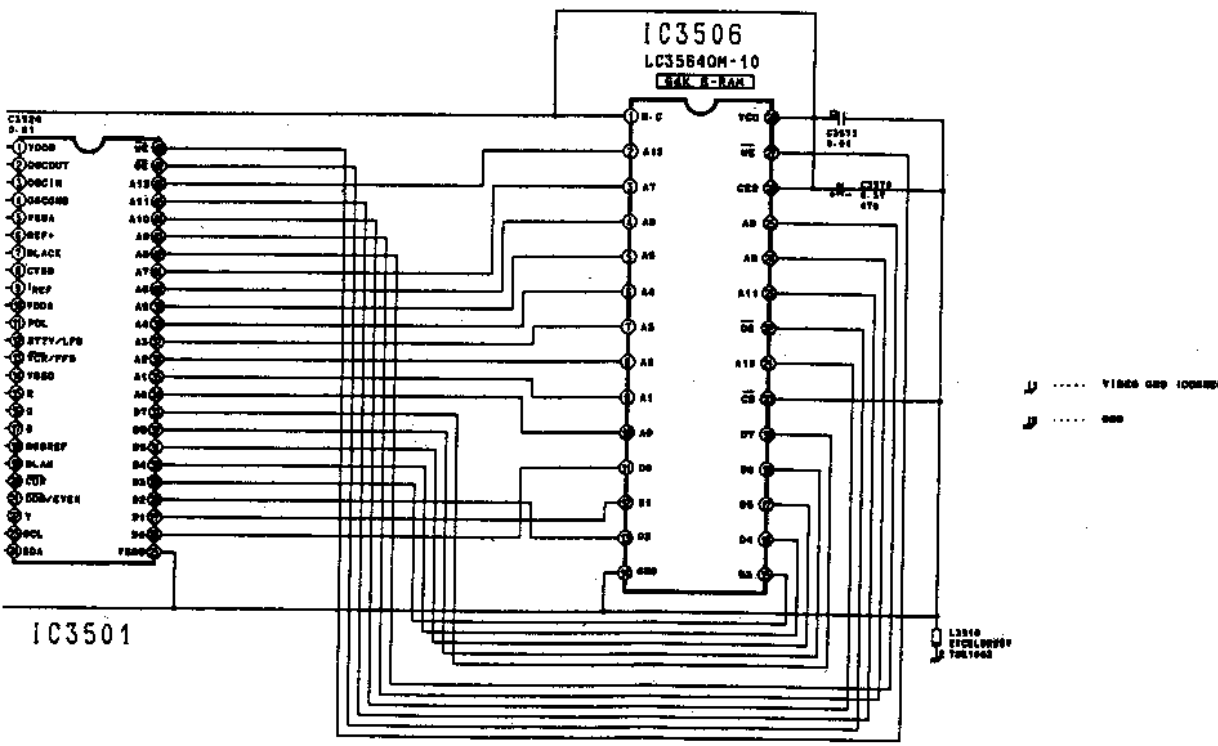
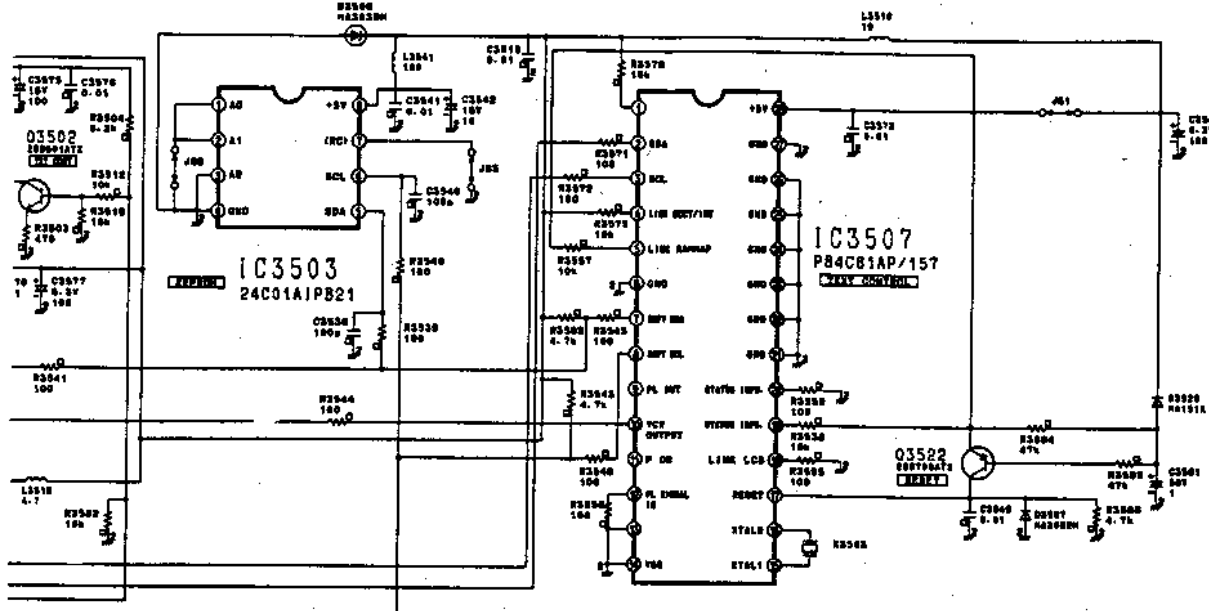


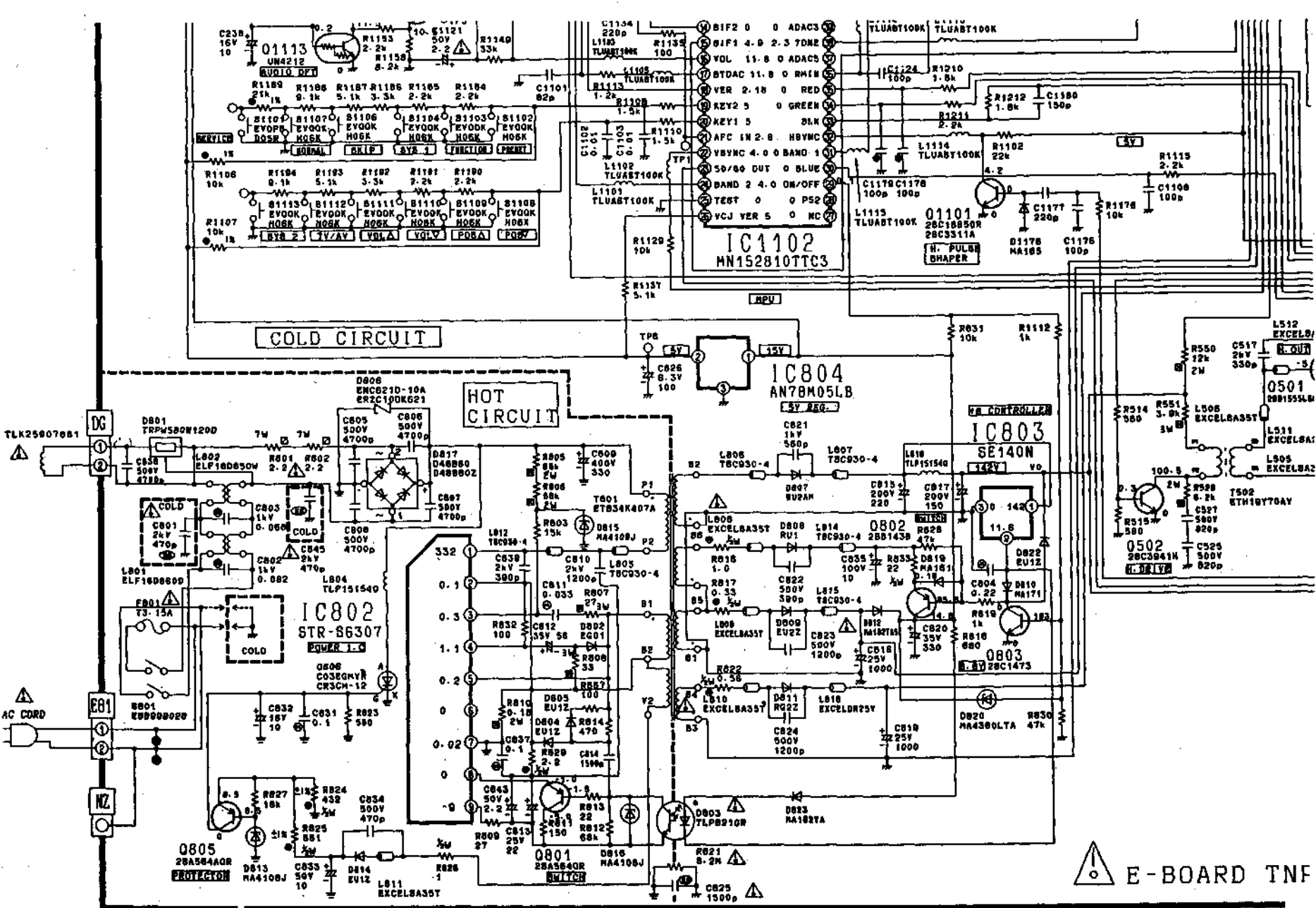
IC1106 MN128DR



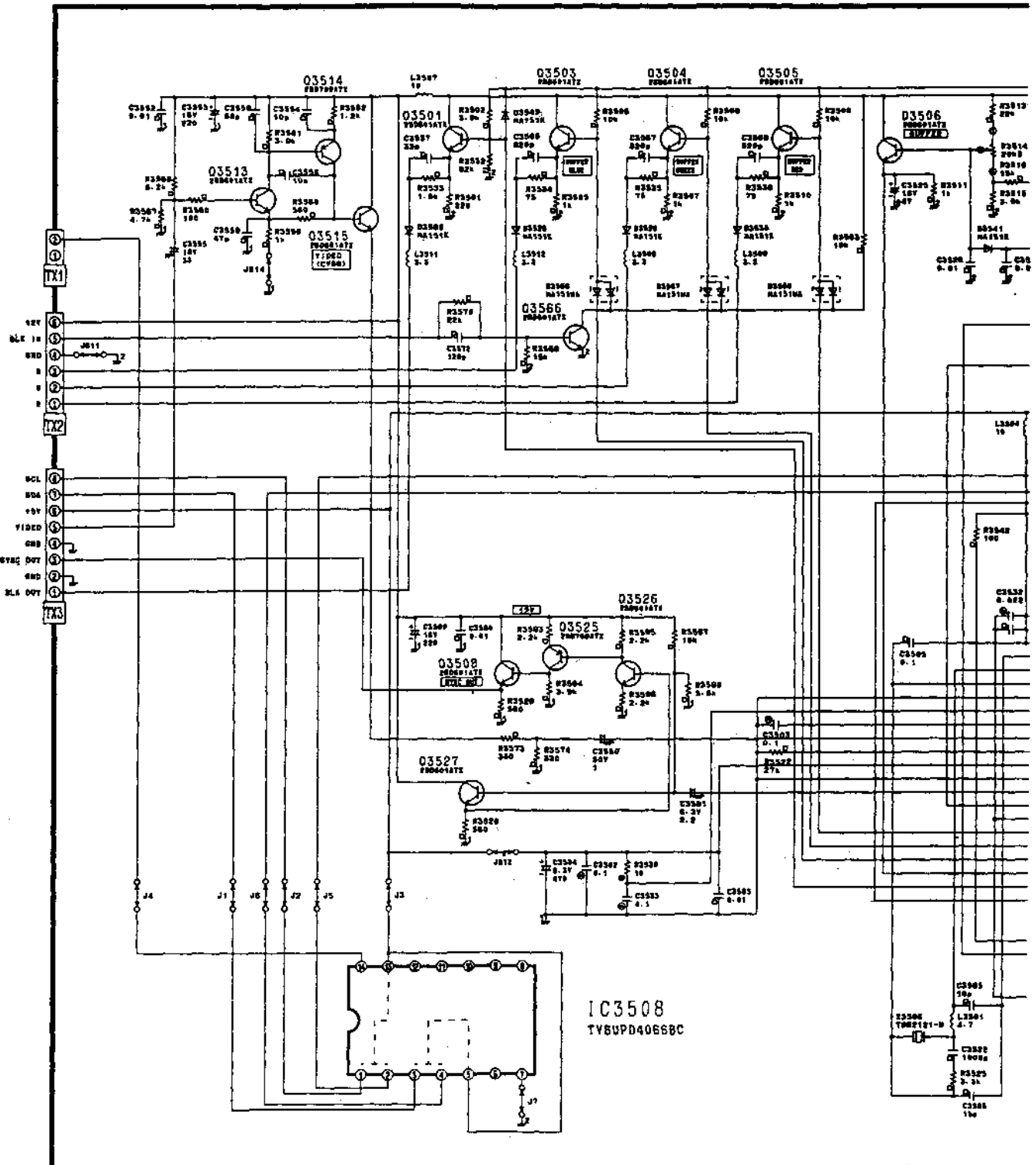
Q1111 28C1680R 28C3311A



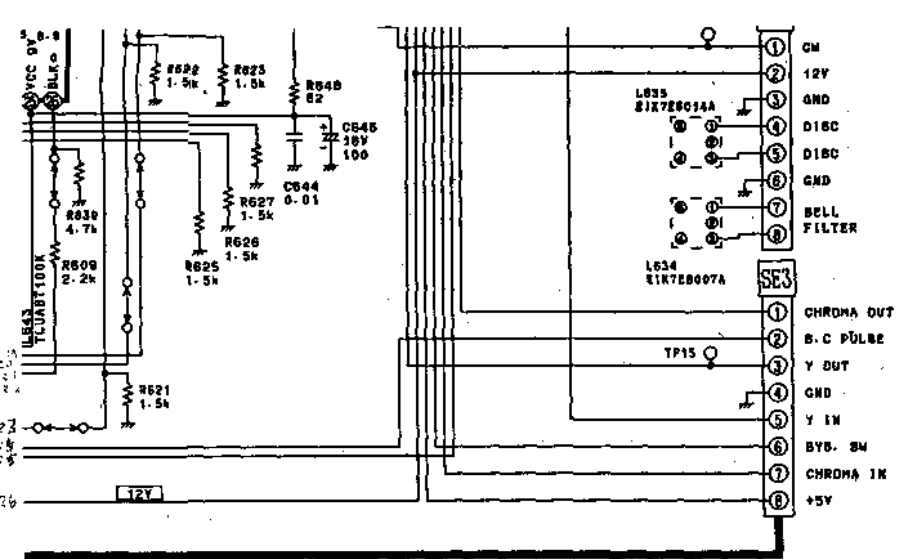




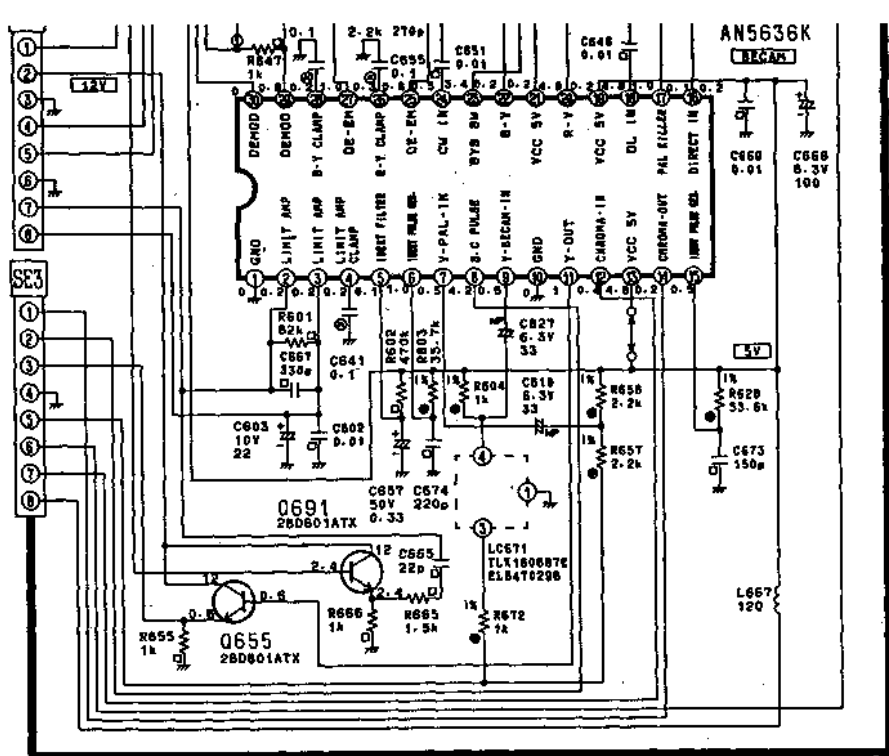
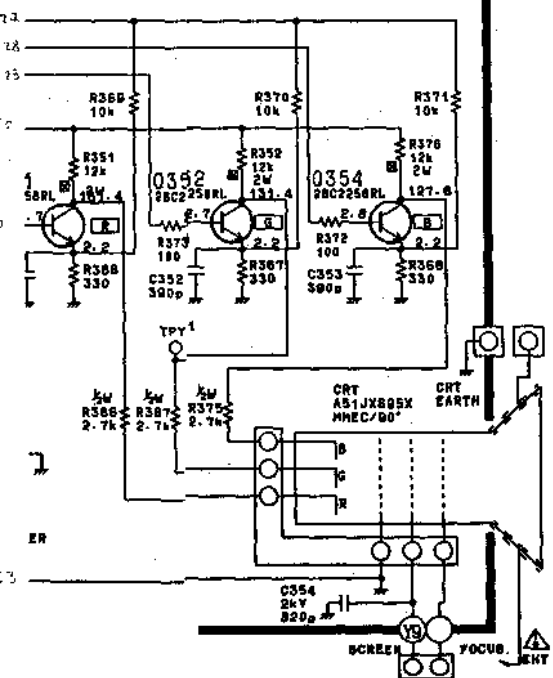
E-BOARD TNF



IC3508
TV8UPD40668C



Y-BOARD TNP107884AM



DIFFERENTIAL LIST

MODEL	KL-21L3RP
ITEM	
R1130	OPEN
R1131	SHORT
E-BOARD	BF
AC-CORD	OR TSX4G102H1 TSX4G102F1