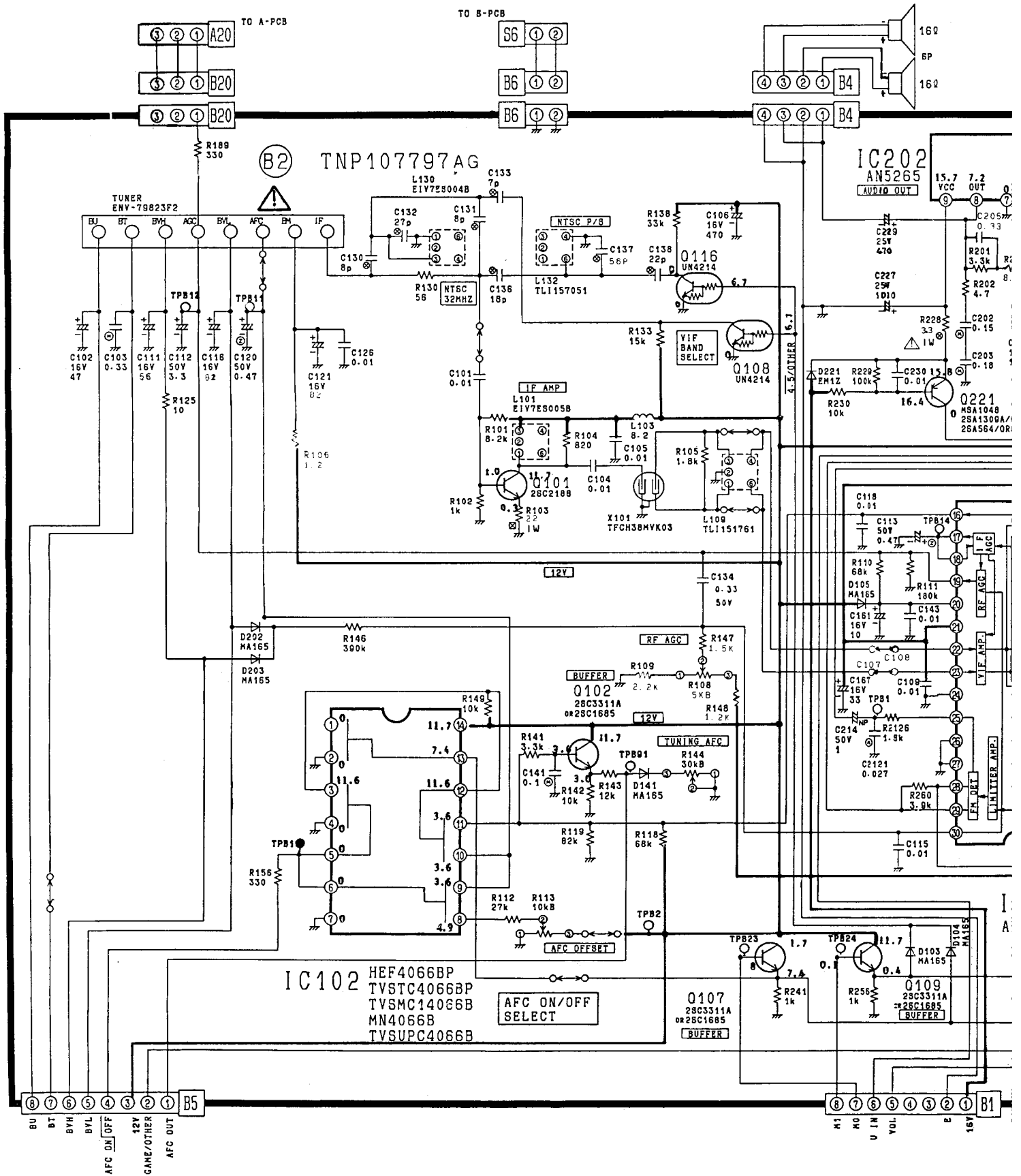
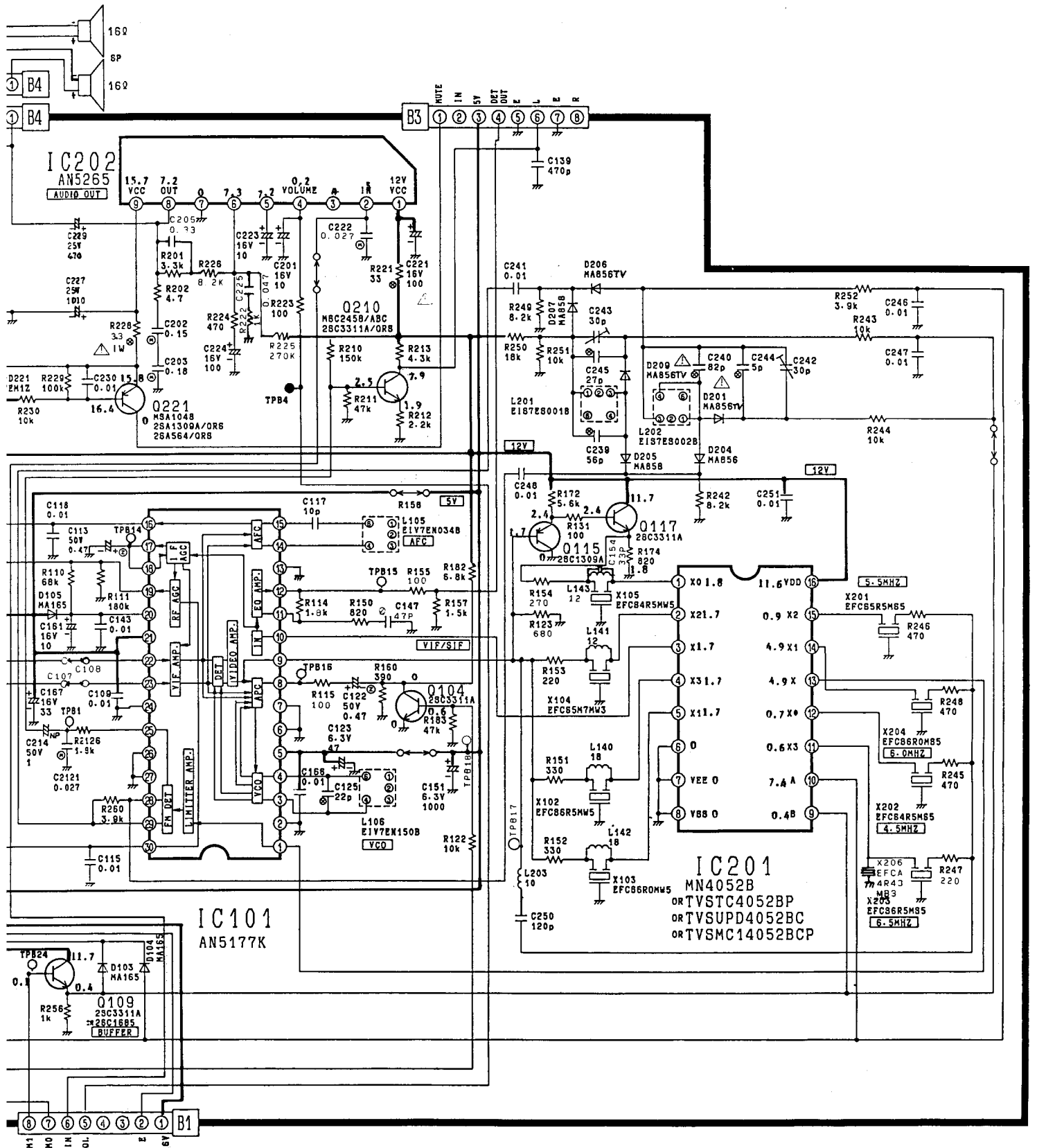


Схема телевизора Panasonic TC-21L1R



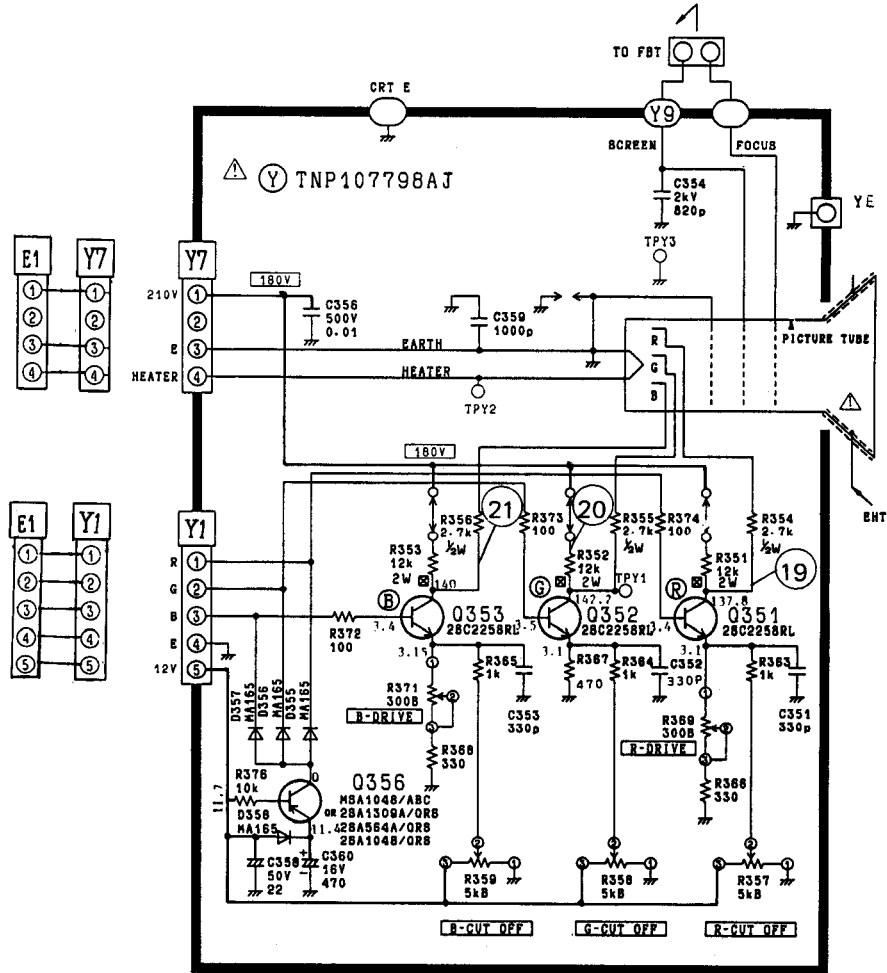
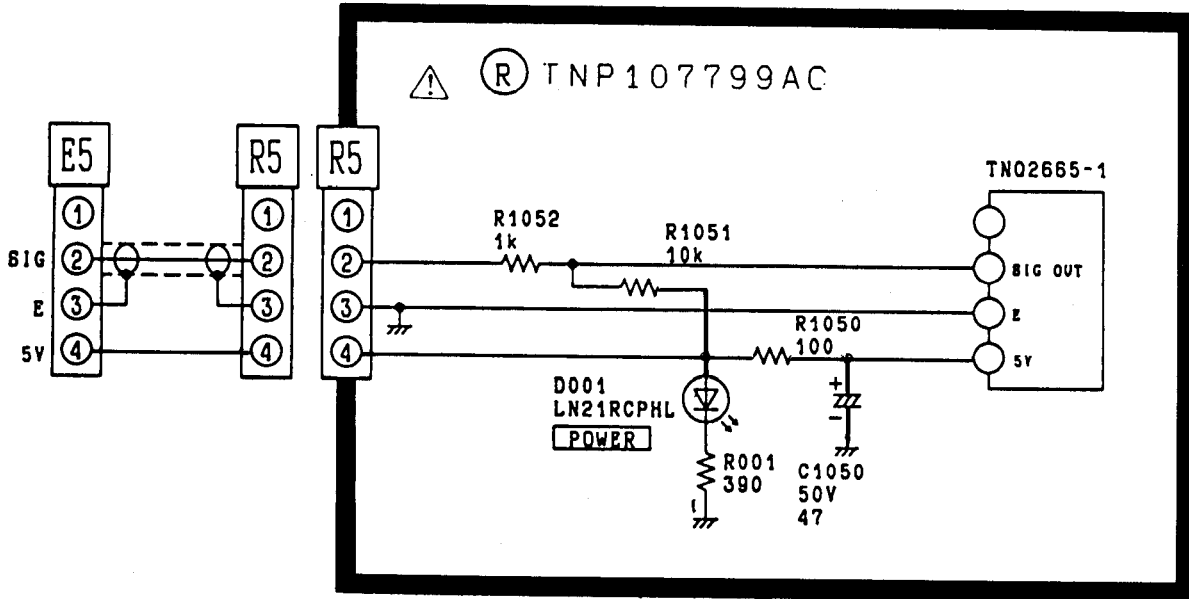


IC202
AN5265
AUDIO OUT

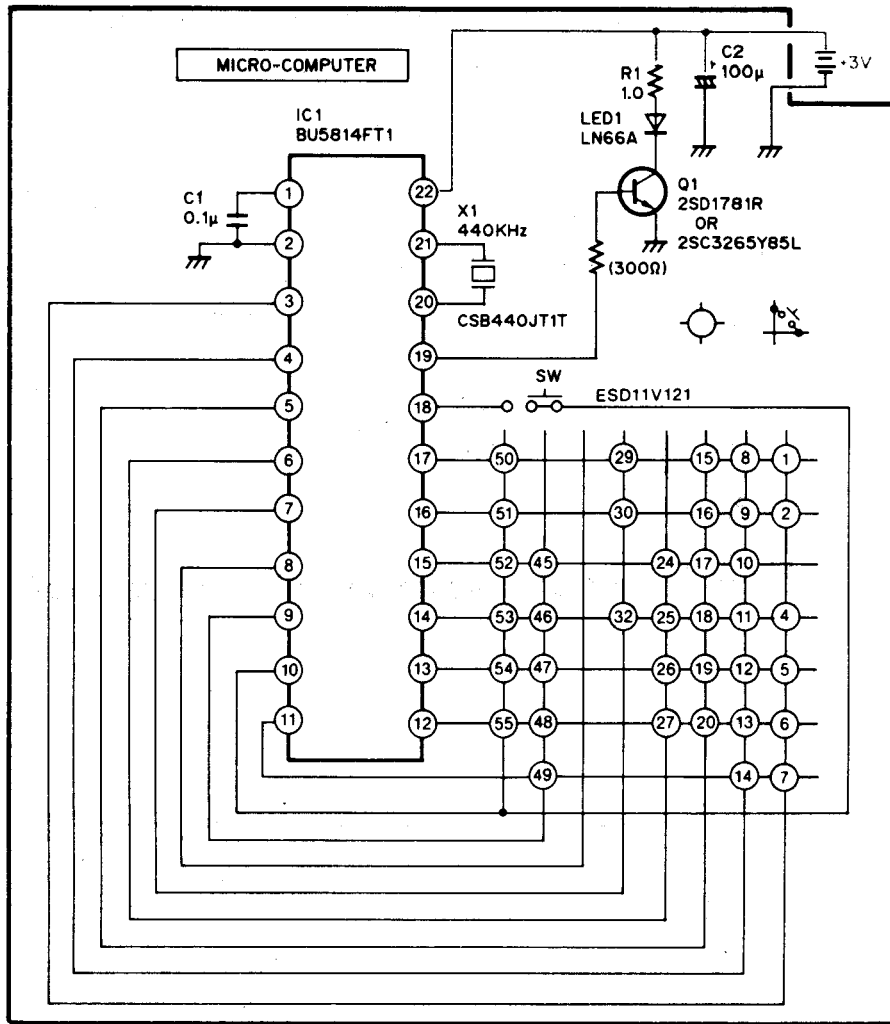
IC101
AN5177K

IC201
MN4052B
OR TVSTC4052BP
OR TVSUPD4052BC
OR TVSMC14052BCP



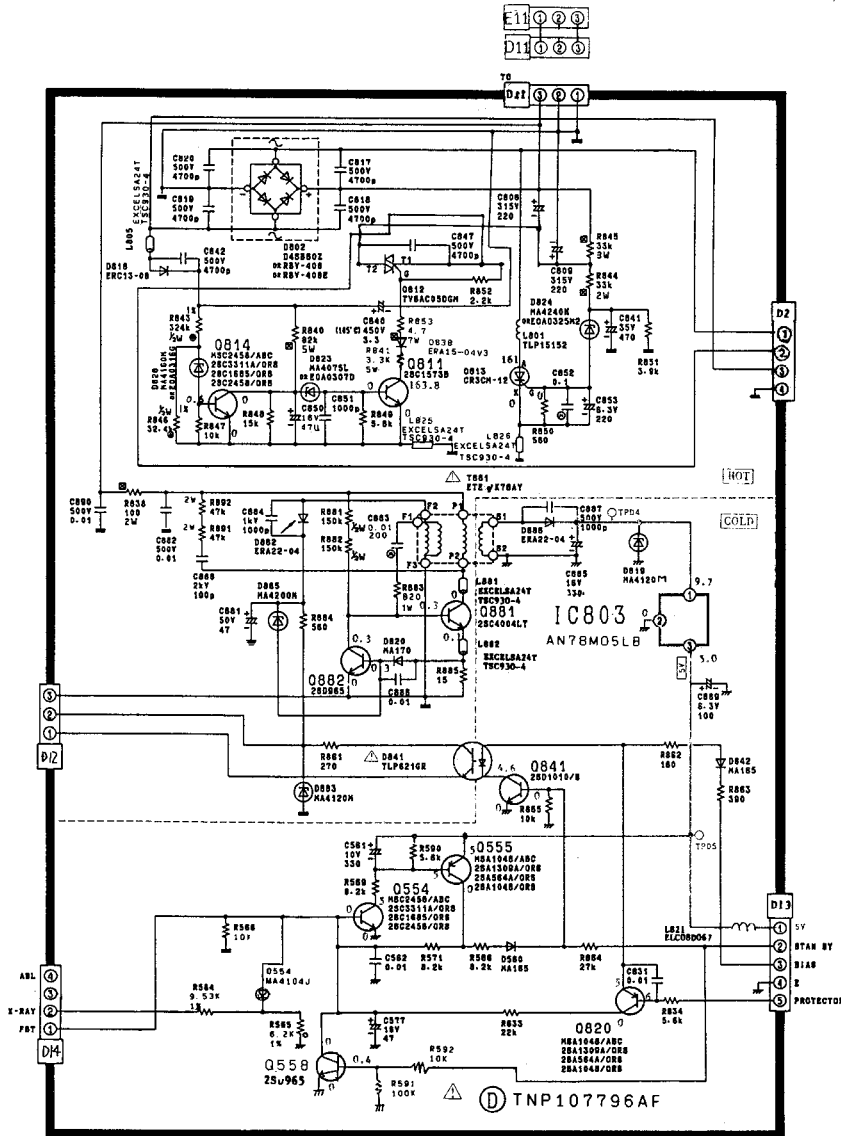
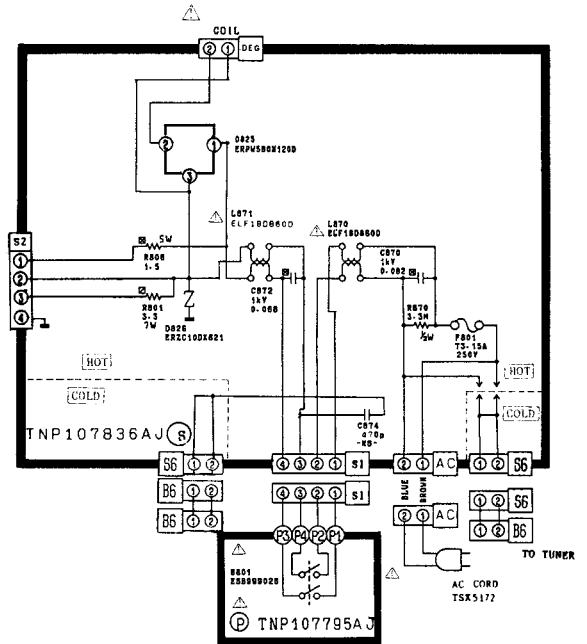
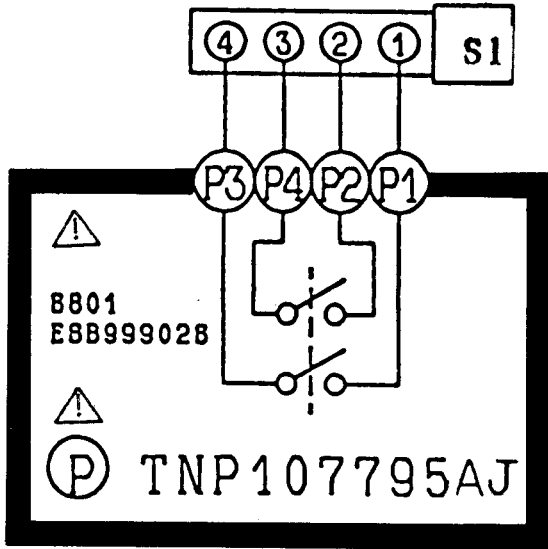


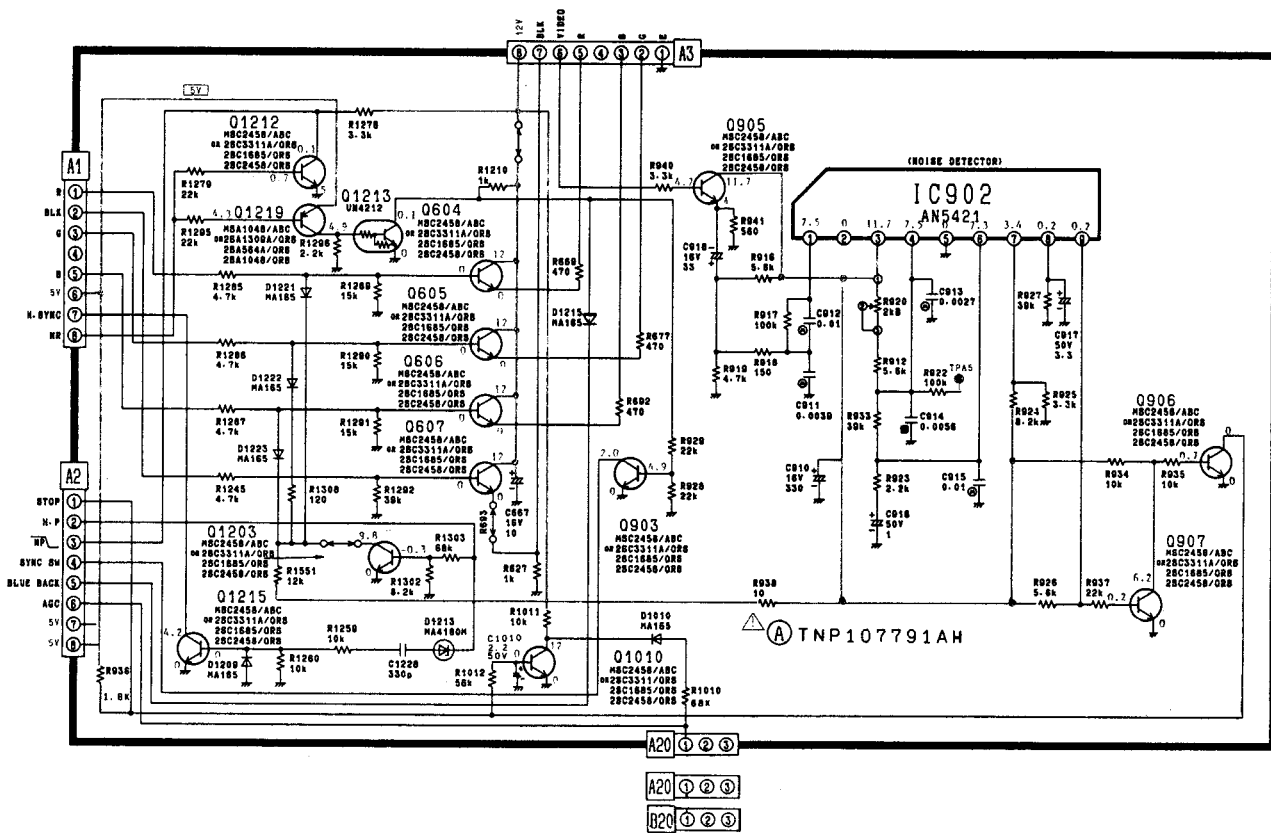
Remote Controller EUR50703



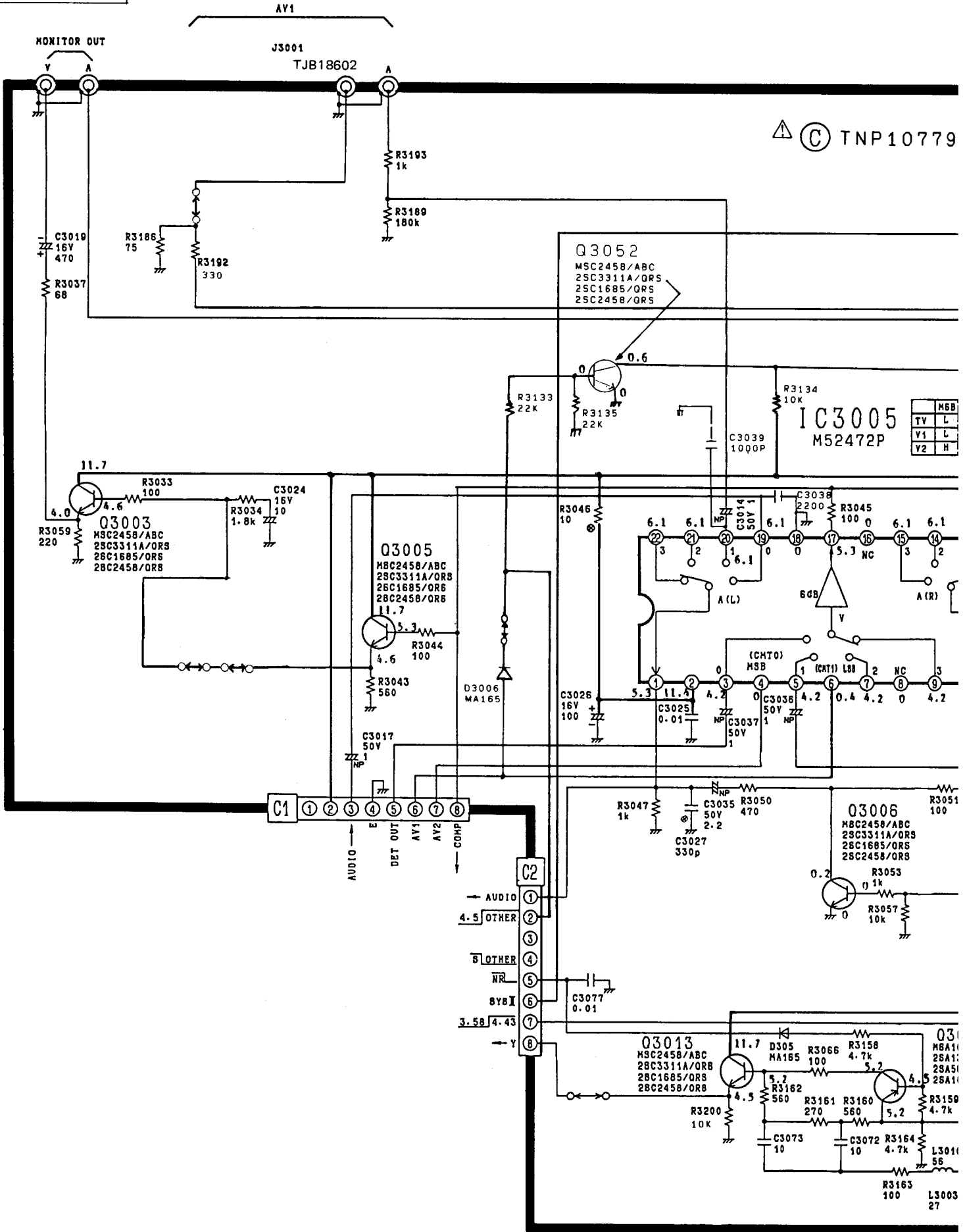
KEY FUNCTION TABLE

KEY NO.	DATA CODE	FUNCTION	KEY NO.	DATA CODE	FUNCTION	KEY NO.	DATA CODE	FUNCTION
1	0F	OFF TIMER	17	39	RECALL	49	00	VCR STOP
2	05	TV/AV	18	19	0	50	06	VCR PAUSE
4	3D	POWER	19	3B	- / - - (2DIGIT)	51	0C	VCR ADVANCE
5	10	1	20	21	VOL. DN.	52	08	VCR REC.
6	11	2	24	0A	PNR	53	02	VCR REW.
7	12	3	25	32	MUTE	54	0A	VCR PLAY
8	34	CH. UP.	26	06	PICTURE FUNC.	55	03	VCR F.F.
9	13	4	27	09	FUNC. DN.			
10	14	5	29	50	PICTURE MENU			
11	15	6	30	51	SOUND MENU			
12	35	CH. DN.	32	0C	NORMAL			
13	16	7	45	33	SOUND SELECT			
14	17	8	46	35	CVR CH. DN.			
15	18	9	47	34	VCR CH. UP.			
16	20	VOL. UP.	48	3D	VCR POWER			

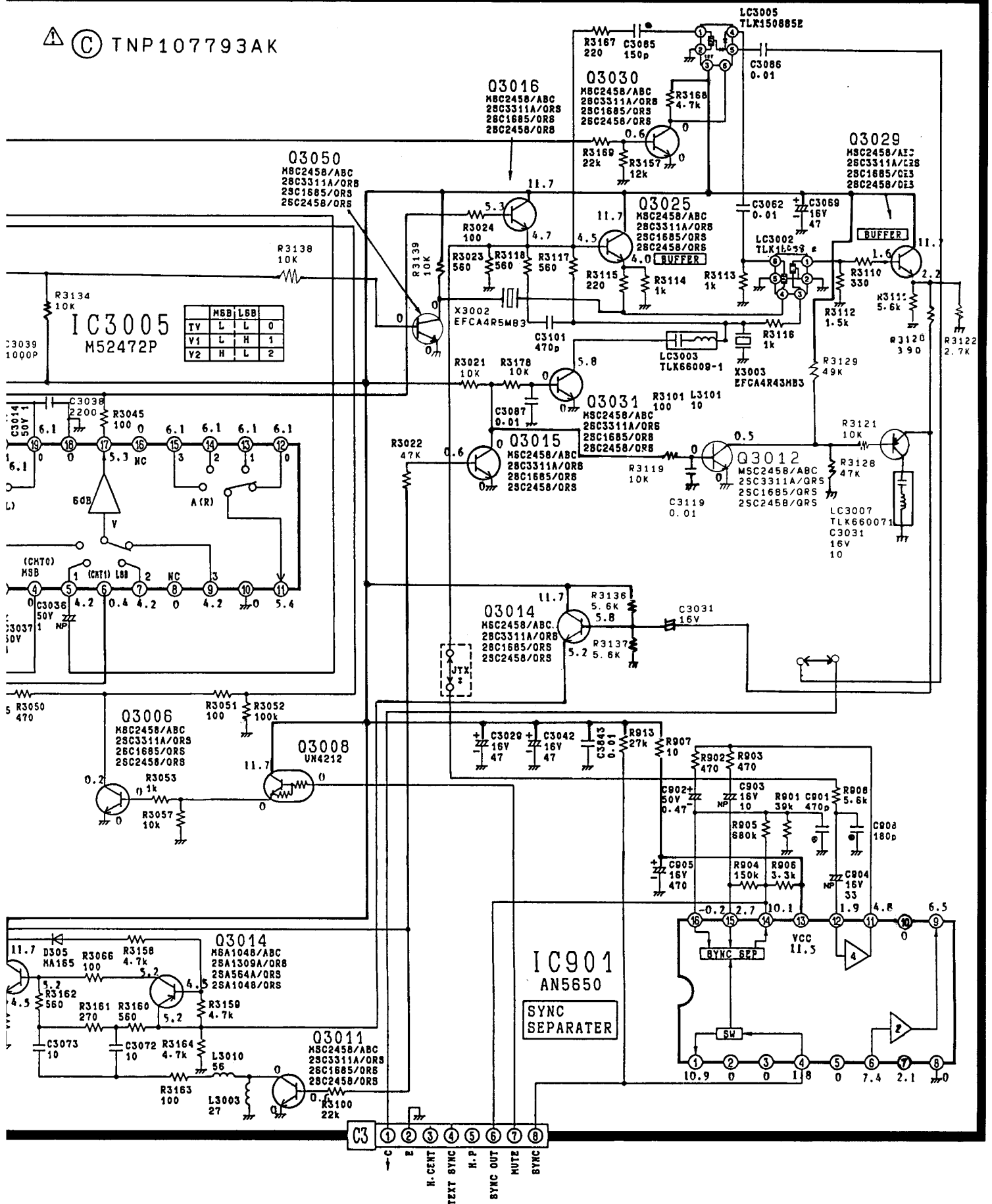


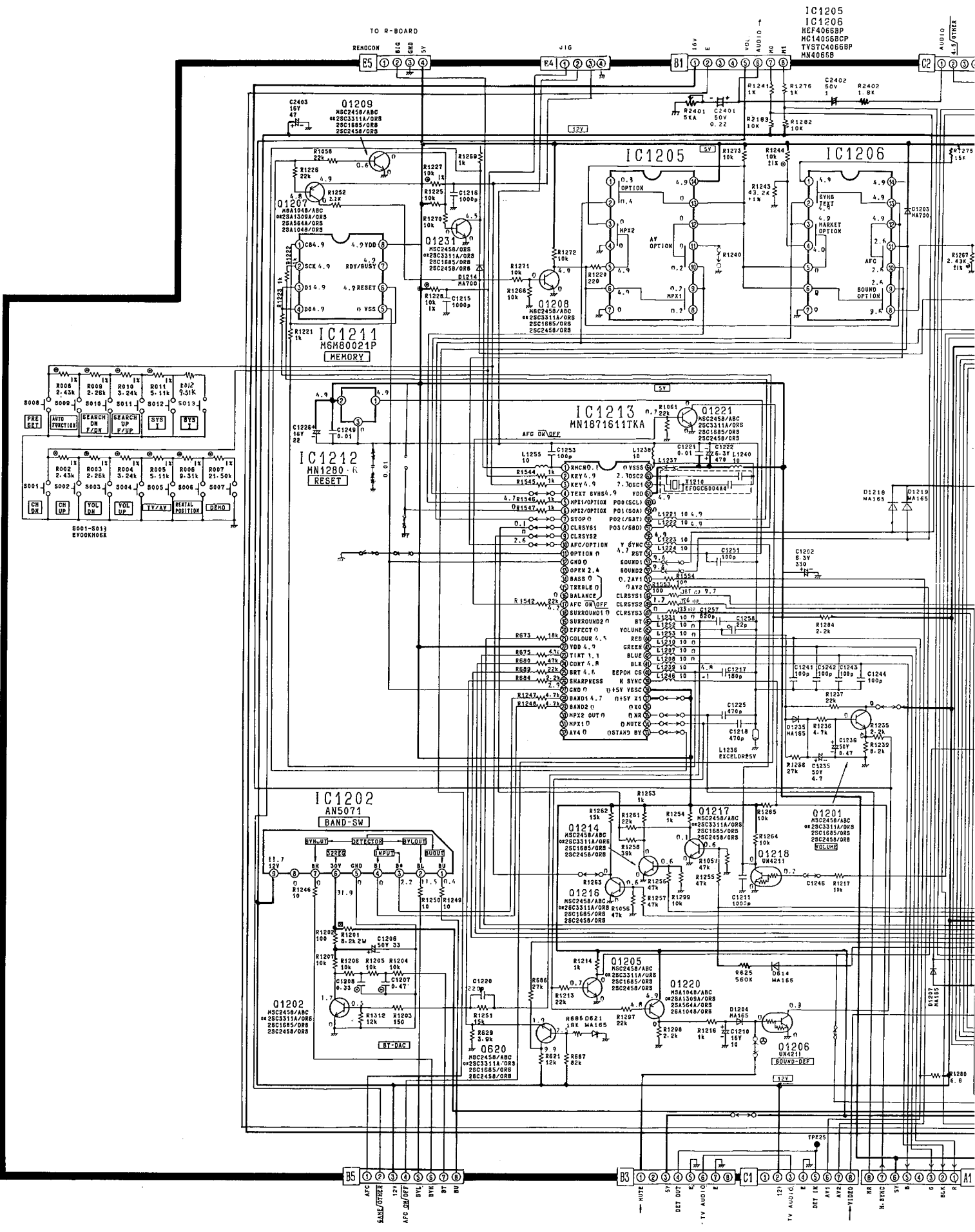


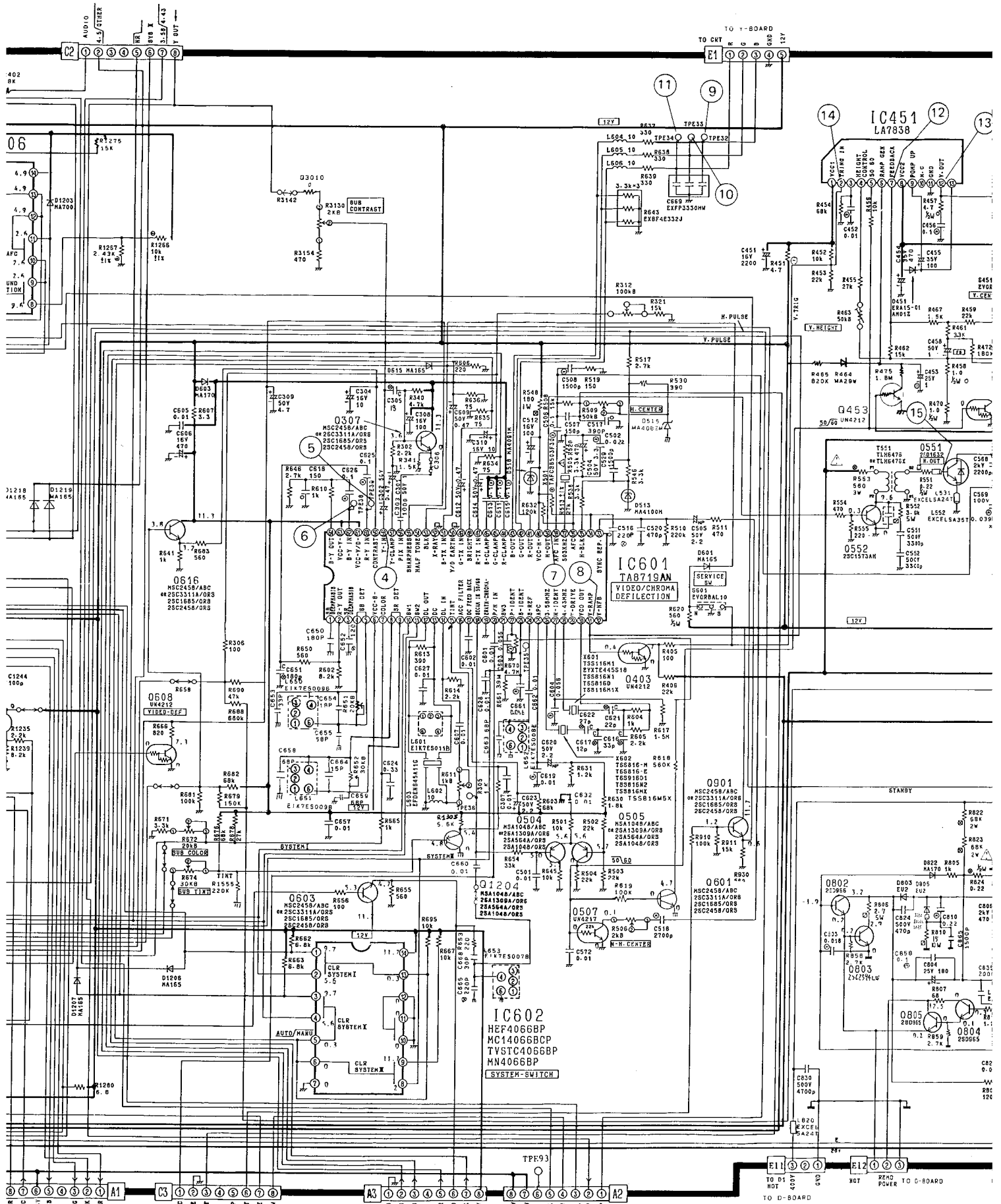
TC-21L1R



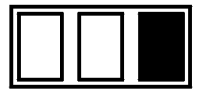
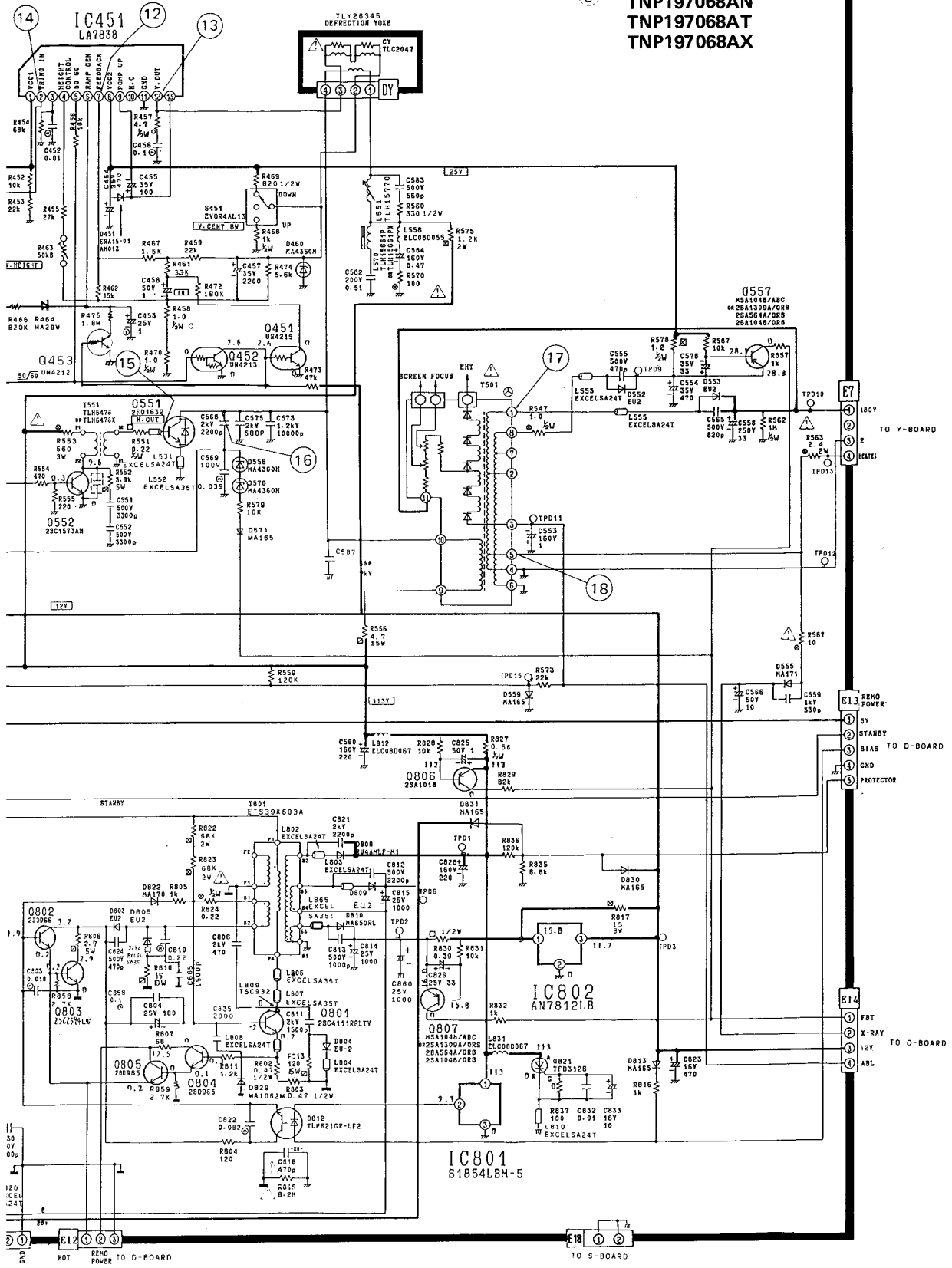
⚠ (C) TNP107793AK



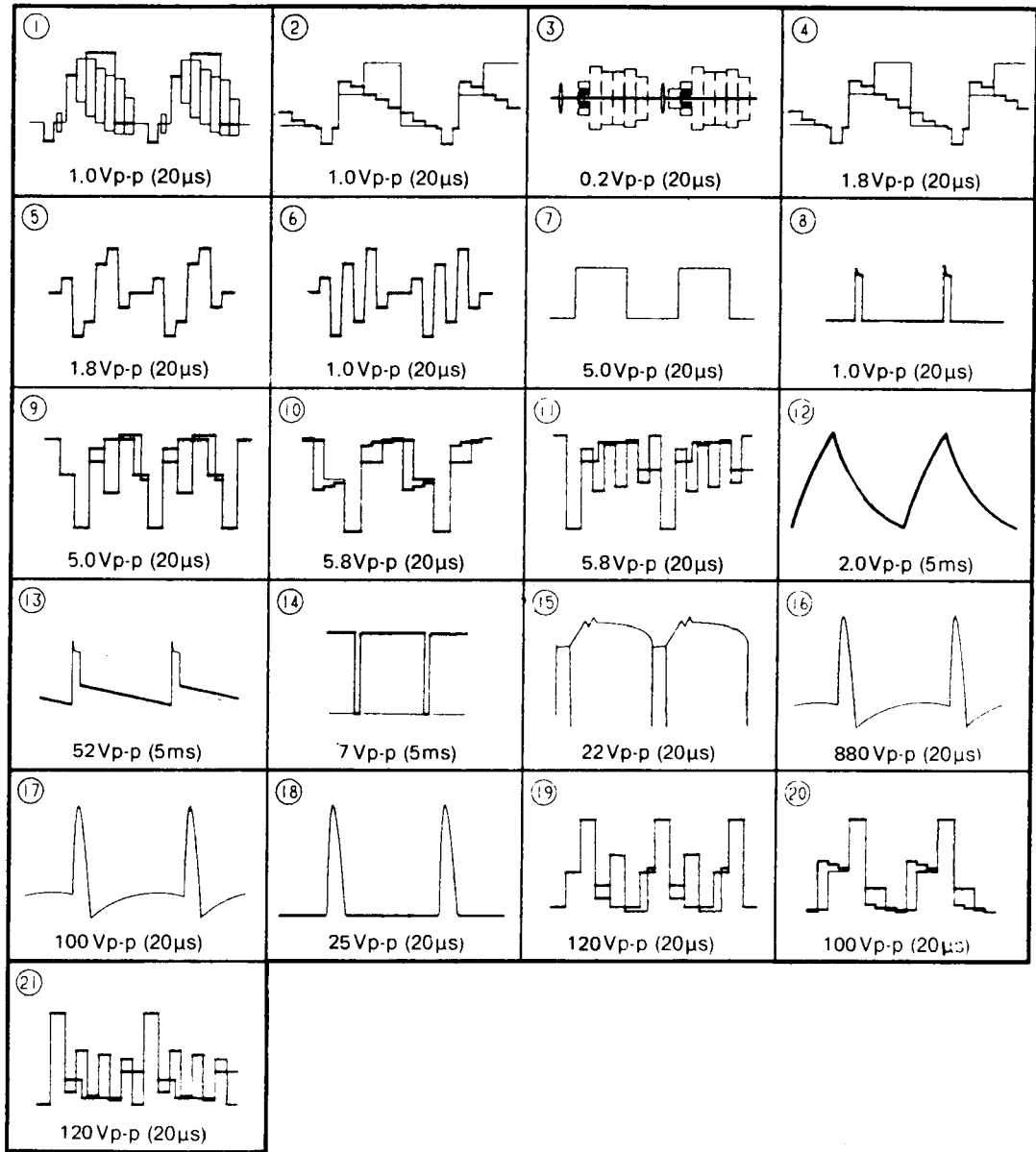




(E) **TNP197068AN**
TNP197068AT
TNP197068AX



WAVEFORM PATTERN TABLE



IC 601 VOLTAGE

PIN No.	1	2	3	4	5	6	7	8	9	10	11	12	13	14	15	16	17	18	19	20	21	22	23	24	25	26	27	28	29	30	31	32
VOLTAGE	8.1	7.6	8.1	6.2	6.2	11.3	3.3	6.2	6.2	8.6	8.6	4.9	4.9	7.2	5.5	9.8	3.3	4.2	0	5.5	2	10.6	5	5.5	4.6	10.3	3.8	0	2.8	0.4	1.1	3.1
PIN No.	33	34	35	36	37	38	39	40	41	42	43	44	45	46	47	48	49	50	51	52	53	54	55	56	57	58	59	60	61	62	63	64
VOLTAGE	5.9	3.9	0	7.8	6.1	7.0	2.1	9.2	3.5	3.5	3.5	4.7	4.7	4.6	6.6	3.4	6.7	0	0	0	7.3	1.6	2.3	3.0	5.7	4.5	3.2	5.7	11.3	5.7	11.3	7.6