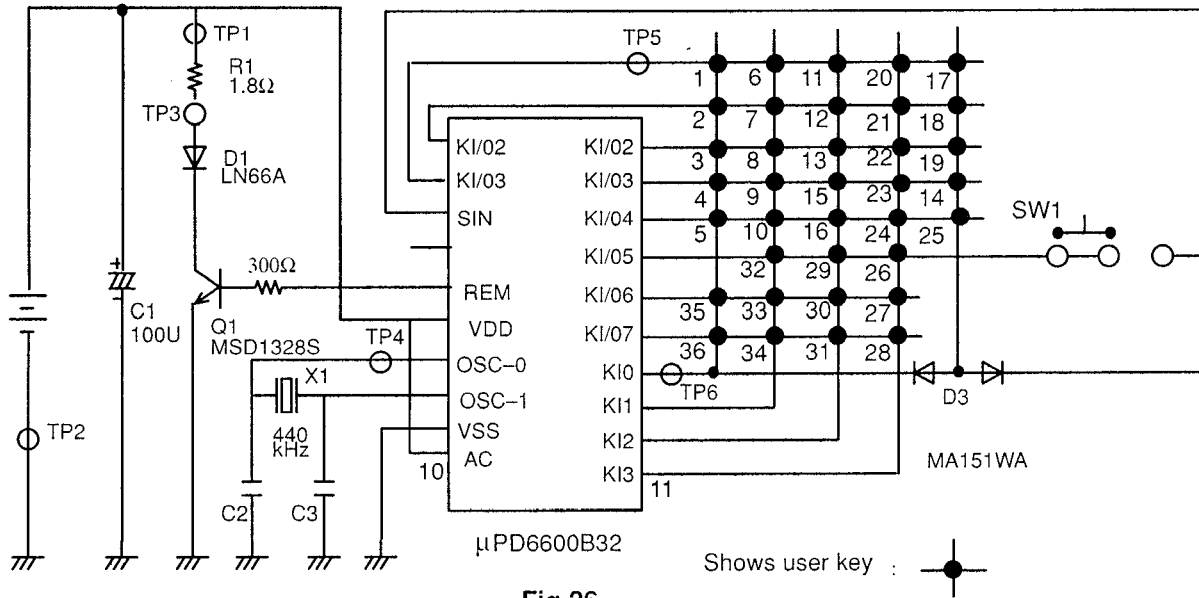


Remote Control EUR641952

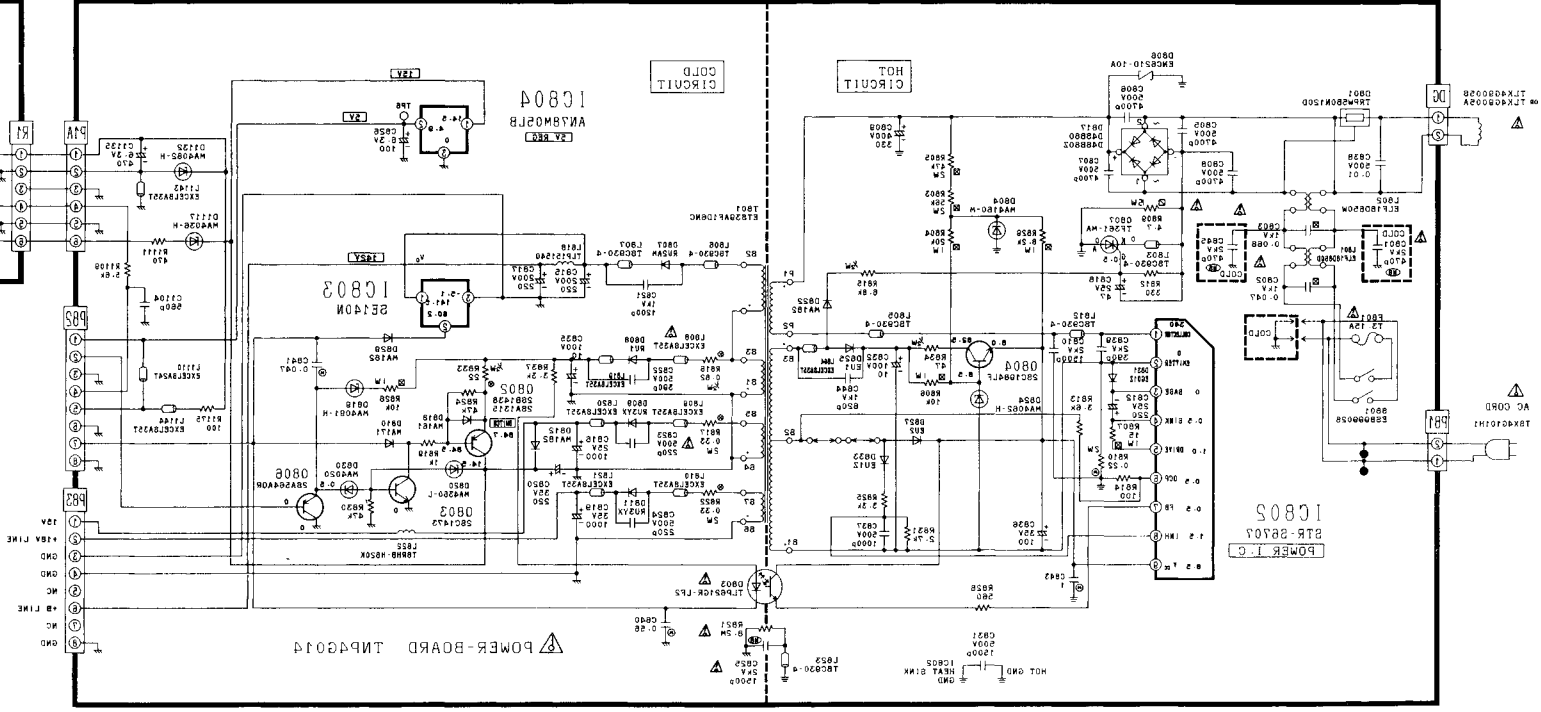
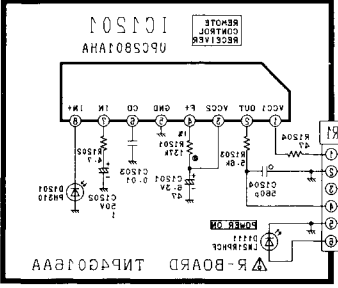


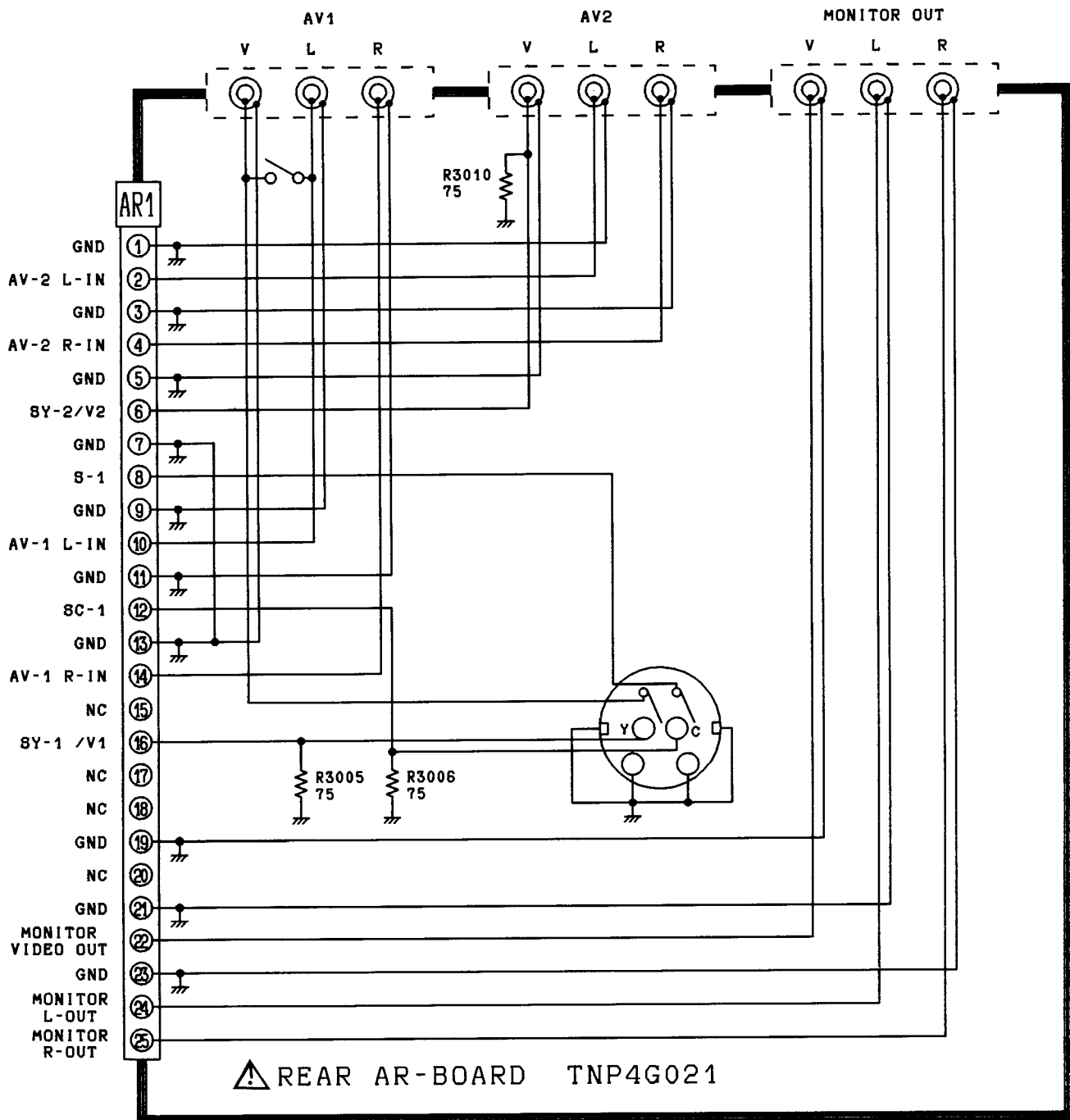
* Parts listed here are not suppliable.

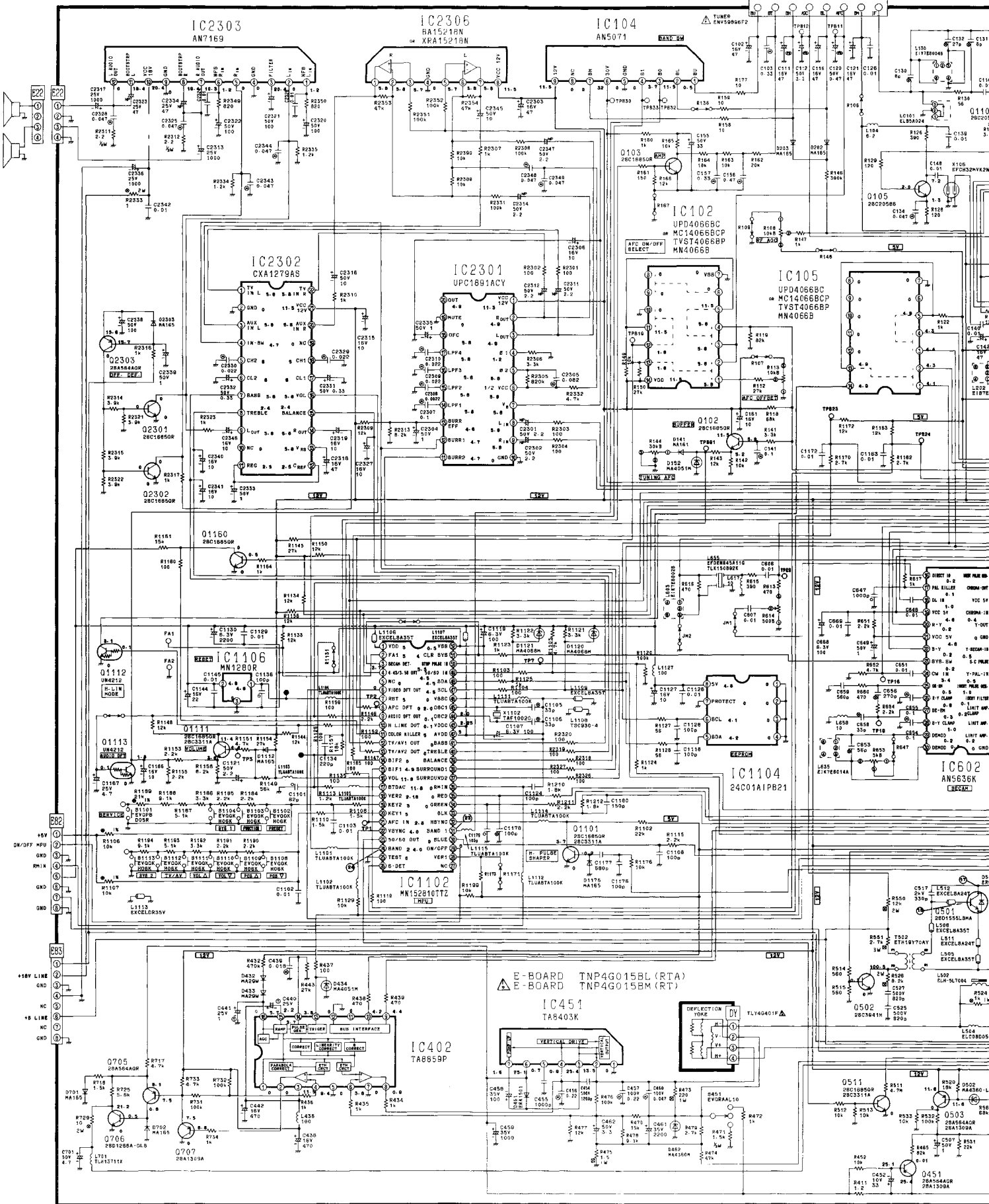
Fig.26

Shows user key :

KEY NO.	FUNCTION	DATA CODE	KEY NO.	FUNCTION	DATA CODE	
					ON	OFF
1	POWER	3D	22	CH UP	34	
2	TV/AV	05	23	CH DOWN	35	
3	CH 1	10	24	SURROUND	31	
4	CH 2	11	26	(VTR) POWER	20	3D
5	CH 3	12	27	(VTR) CH UP	22	34
6	CH 4	13	28	(VTR) CH DOWN	23	35
7	CH 5	14	29	(VTR) PLAY	0A	
8	CH 6	15	30	(VTR) STOP	00	
9	CH 7	16	31	(VTR) F.F	03	
10	CH 8	17	32	(VTR) REW	02	
11	CH 9	18	33	(VTR) PAUSE	06	
12	CH 10/0	19	34	(VTR) F.ADV	0C	
13	-/-	3B	35	(VTR) REC	08	
14	OFFTIMER	0F	36	(VTR) REC		
15	MUTE	32				
16	RECALL	39				
17	NORMAL	0C				
18	FUNCTION	06				
19	SOUND FUNC.	07				
20	VOL UP	20				
21	VOL DOWN	21				







IC2303
AN7169

IC2306
HA1521BN
KRA1521BN

IC104
AN5071

IC2302
CX1279AS

IC2301
UPC1891AC

IC102
UPD4066B
MC14066BP
TVS14066BP
MN4066B

IC105
UPD4066B
MC14066BP
TVS14066BP
MN4066B

IC1106
MN1280R

IC1102
MK132610T2

IC1104
24C01APB21

IC602
AN563K

E-BOARD TNP4G015BL (RTA)
E-BOARD TNP4G015BM (RT)

IC451
TAB403K

IC402
TAB859P

IC502
28C3641H

IC511
28C311A

IC451
28A364GR
28A1328A



